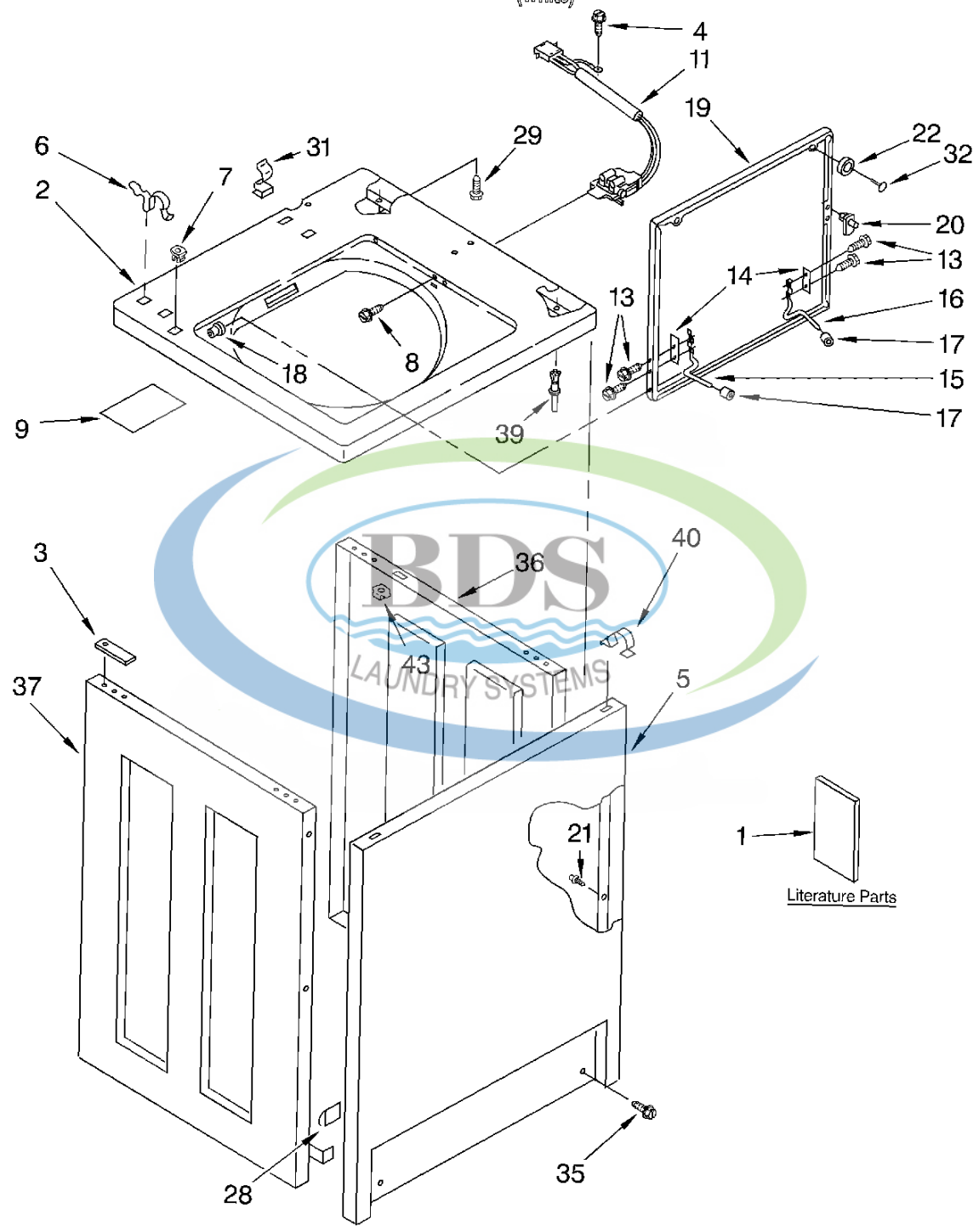


TOP AND CABINET PARTS

For Model: CAM2752JQ0
(White)



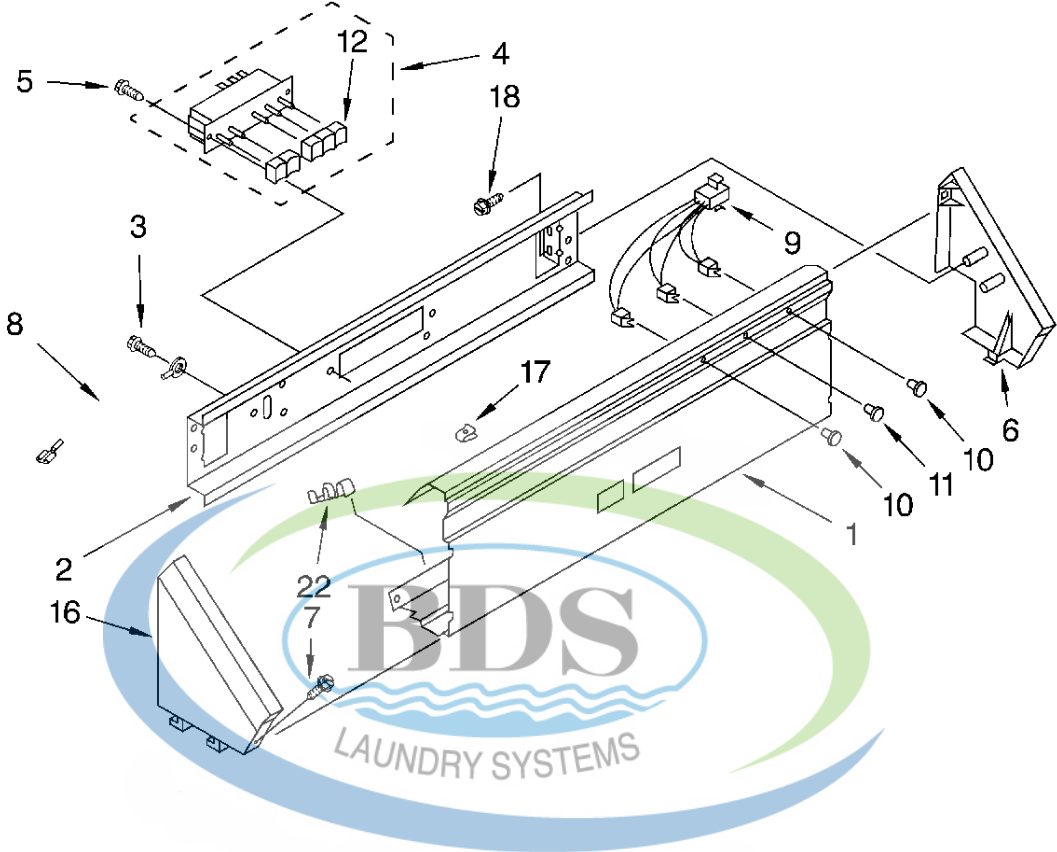
8315970

Ref #	Part Number	Qty.	Description
1			Literature Parts (Installation Instructions)
1			Literature Parts (Wiring Diagram)
1			Literature Parts (Repair Parts List)
2	NLA		Top
3	3353950		Spacer, Cabinet To Top (4)
4	98445		Screw
5	3358500		Panel, Front
6	62780		Clip, Top & Cabinet & Rear Panel (2)
7	358473		Nut, Push-In (2)
8	3356311		Screw & Washer, Lid Switch (2)
9	3953152		Shield, Pressure Switch
11	285671		Switch, Lid
13	W10119828		Screw, Lid Hinge Mounting (4)
14	21097		Pad, Lid Hinge (2)
15	54584		Hinge, Lid (L.H.)
16	91770		Hinge, Lid (R.H.)
17	19119		Bumper, Lid Hinge
18	21258		Bearing, Lid Hinge (2)
19	W10193854		Lid
20	358684		Strike, Lid Switch
21	3353812		Locator (4)
22	356908		Bumper, Lid
28	98234		Clip, Ground
29	3353993		Screw (2)
31	90016		Clip, Harness
32	356907		Rivet, Plastic
35	NLA		Screw, Panel Mtg. (2)
36	3976380		Panel, R. H.
37	3976382		Panel, L.H.
39	3353949		Pin, Locator (2)
40	18776		Lock (2)
43	90406		Cage Nut
43	72017		White
43	72107		Almond
43	350938		Primer, Gray
43	350930		White
43	350956		Almond
43	799344		White (Uncut)
43	NLA		Almond (Uncut)
43	350572		Oil, Gearcase (16 Oz.)
43	285208		Lubricant (Use Only in Brake Shoe Assembly On Roller and Pin)
43	285195		Sealer, Gasket (.20 Fl. Oz.) (6 ml)



CONTROL PANEL PARTS

For Model: CAM2752JQ0
(White)

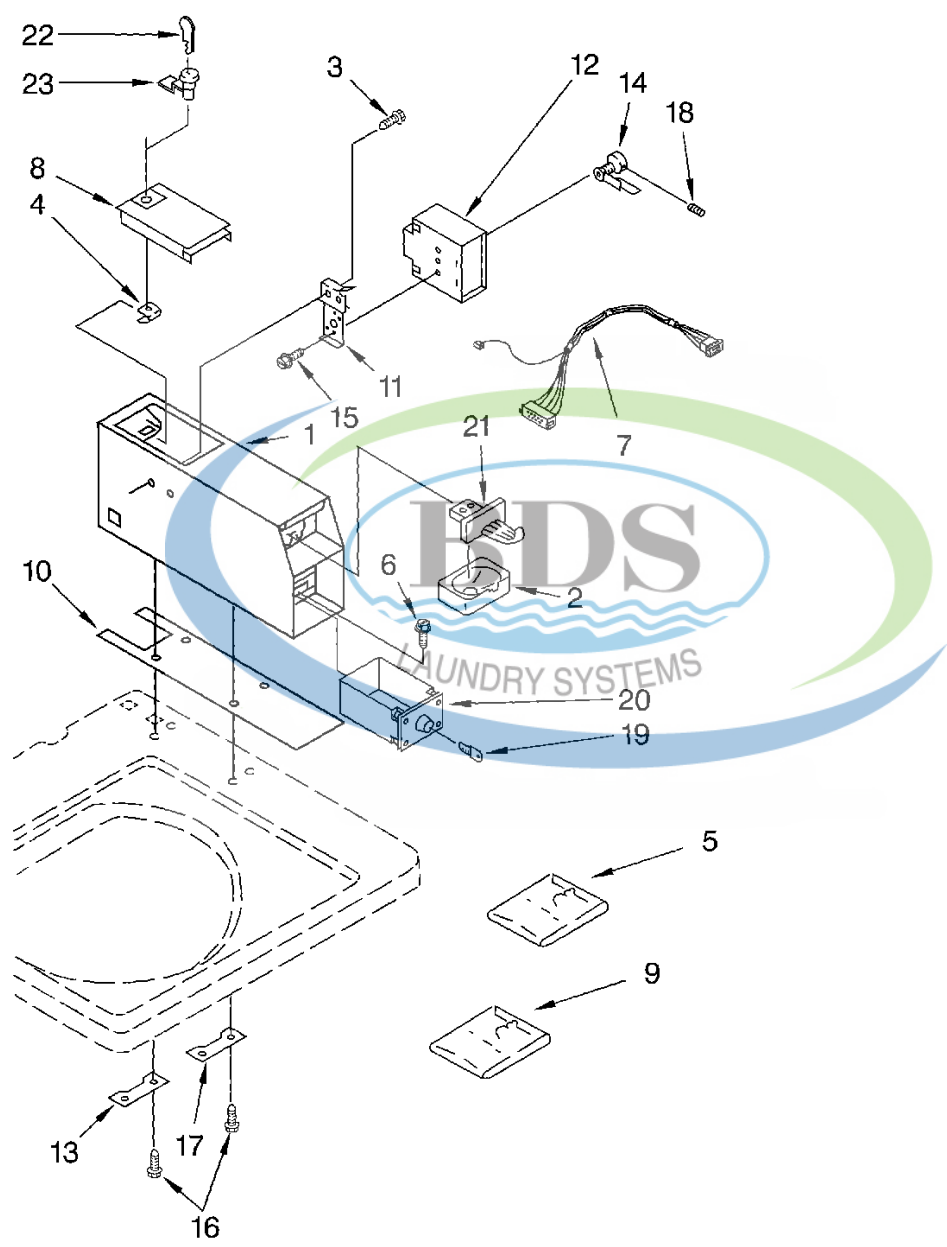


Ref #	Part Number	Qty.	Description
1	NLA		Panel, Console
2	3361029		Bracket, Control
3	3400073		Screw
4	W10330136		Switch, Cycle Selector (Includes Illus. No. 12)
5	W10139210		Screw, 8-18 x 5/16
6	W10096340		Cap, End (R.H.)
7	8281182		Screw, 8-18 x 1.25
8	3395559		Wire, Ground
9	3352457		Lights, Indicator
10	3348109		Lens, Amber (2)
11	3348110		Lens, Yellow (1)
12	8316433		Pushbutton (5)
16	W10096320		Cap, End (L.H.)
17	689559		Nut, Push-In (2)
18	W10109200		Screw, End Cap To Bracket (4)
22	W10113937		Clip, Grounding



METER CASE PARTS

For Model: CAM2752JQ0
(White)



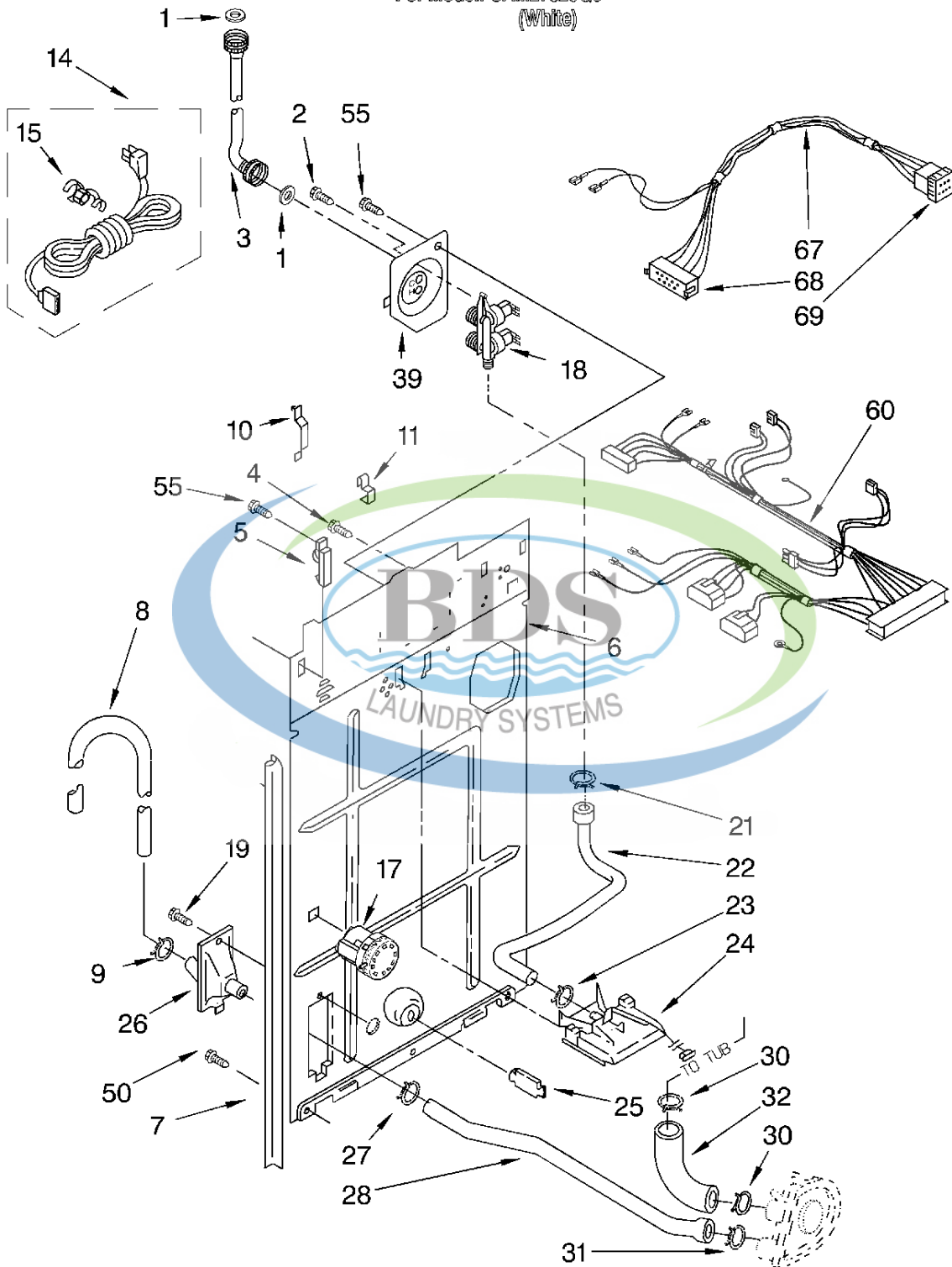
Ref #	Part Number	Qty.	Description
1	W10464200		Case, Meter
2	385421		Funnel, Coin
3	339805		Screw, 10-32 X 3/16
4	90406		Nut, Cage
5	279950		Meter Case Conversion Kit
6	3353994		Bolt (5/16 - 18 x 2 1/2)
6	3349065		Bolt, 5-16-24 x 1
7	3954764		Wire Harness
8	3351136		Door, Service
9	3954807		Kit, Vertical Coin Slide
10	3954812		Cushion, Case
11	385575		Bracket, Timer
12	8575004		Timer, 60 Hz.
13	3353813		Plate, Mounting
14	385571		Clutch, Timer
14	354987		E-Ring
15	3400064		Screw, Timer
16	98445		Screw, 10-16 x 3/4
17	3353813		PLATE, MOUNTING
18	8533976		Screw, Set



REAR PANEL PARTS

For Model: CAM2752JQ0

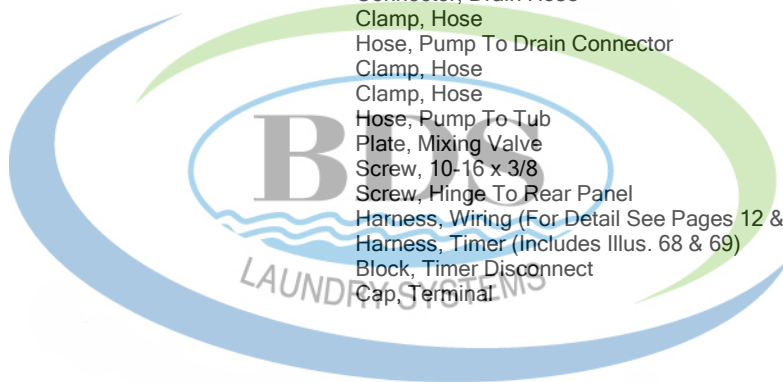
(White)



8315970

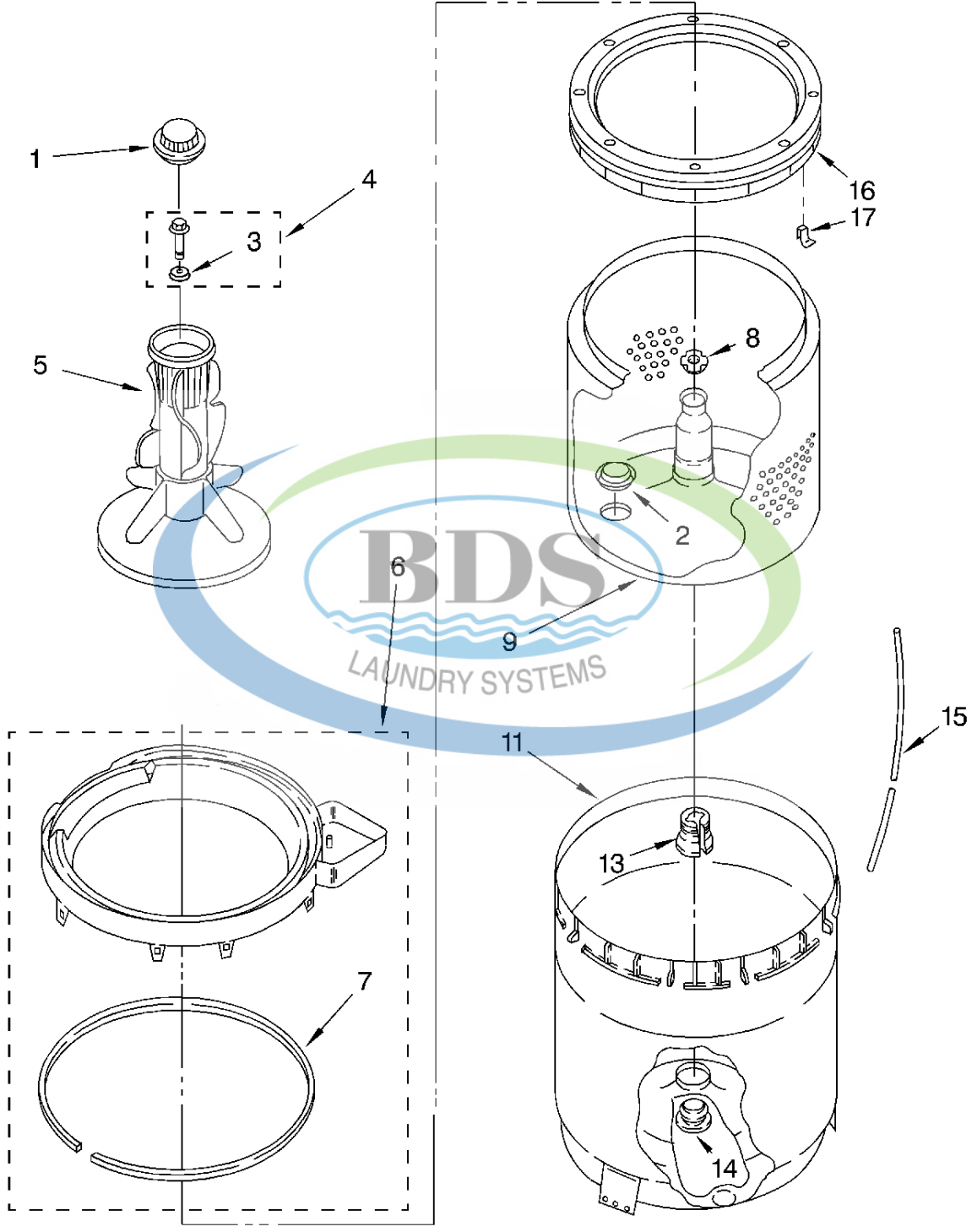
6

Ref #	Part Number	Qty.	Description
1	16123		Washer, Water Inlet Hose (4) (1-1/16 x 5/8)
2	9740848		Screw
3	3949380		Hose, Water Inlet (2) (Blue Coupler)
3	3949381		Hose, Water Inlet (2) (Red Coupler)
4	3351614		Screw, Ground
5	387402		Hinge, Console (2)
6	8312721		Panel, Rear
7	3354204		Pad, Rear Panel
8	96743		Hose, Drain (4')
8	661577		Hose, Drain (9' - 9'') (Not Included)
8	3357090		Extension, Drain Hose (21 Inches) (Not Included)
9	356138		Clamp, Hose
10	8054658		Clip
11	8282518		Clip
14	3359548		Cord, Power
15	63848		Strain Relief, Power Cord
17	W10339019		Pressure Switch
18	285805		Valve, Water Mixing
19	90864		Screw, 10-24 x 1/2
21	370451		Clamp, Hose
22	62662		Hose, Vacuum Break
23	371503		Clamp, Hose
24	3347034		Break, Vacuum
25	63290		Support, Rear Panel
26	3361809		Connector, Drain Hose
27	3366912		Clamp, Hose
28	3348552		Hose, Pump To Drain Connector
30	616099		Clamp, Hose
31	660628		Clamp, Hose
32	285871		Hose, Pump To Tub
39	3347682		Plate, Mixing Valve
50	62863		Screw, 10-16 x 3/8
55	3390647		Screw, Hinge To Rear Panel
60	3954754		Harness, Wiring (For Detail See Pages 12 & 13)
67	3355803		Harness, Timer (Includes Illus. 68 & 69)
68	352089		Block, Timer Disconnect
69	96895		Cap, Terminal



AGITATOR, BASKET AND TUB PARTS

For Model: CAM2752JQ0
(White)



6315970

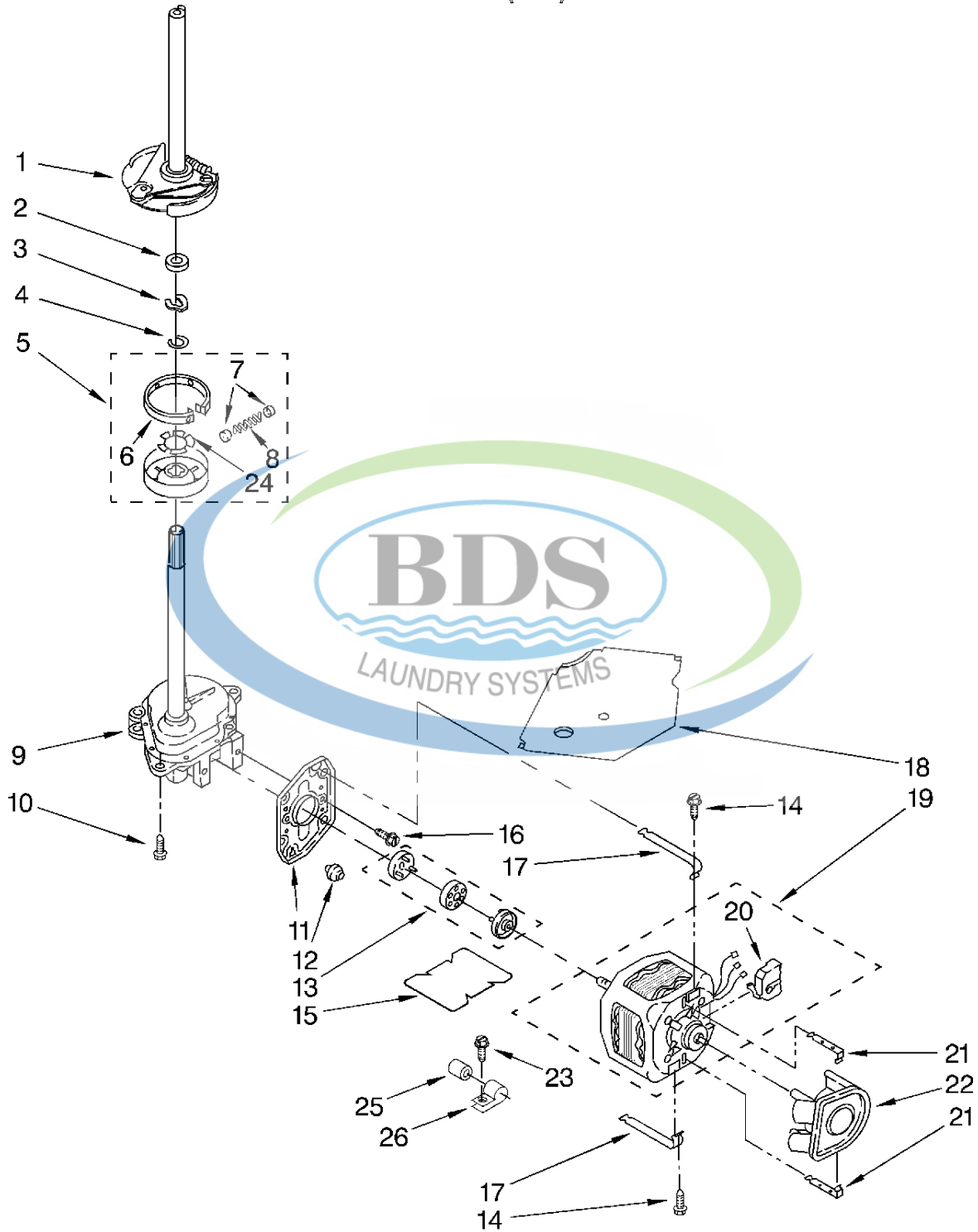
8

Ref #	Part Number	Qty.	Description
1	3355758		Cap, Agitator
2	285630		Snap-In-Plug
3	3949550		Washer
4	358237		Screw & Washer (5/16-24 x 1)
5	285622		Agitator
6	3360611		Tub Ring
7	3359586		Gasket, Tub Ring
8	21366		Nut, Spanner
9	3956207		Basket
11	63125		Tub
13	389140		Block, Drive
14	383727		Gasket, Centerpost
15	353244		Hose, Pressure Switch
16	3956205		Balance Ring (Incl. Item 17)
17	3956205		Balance Ring



BRAKE, CLUTCH, GEARCASE, MOTOR AND PUMP PARTS

For Model: CAM2752JQ0
(White)



8315970

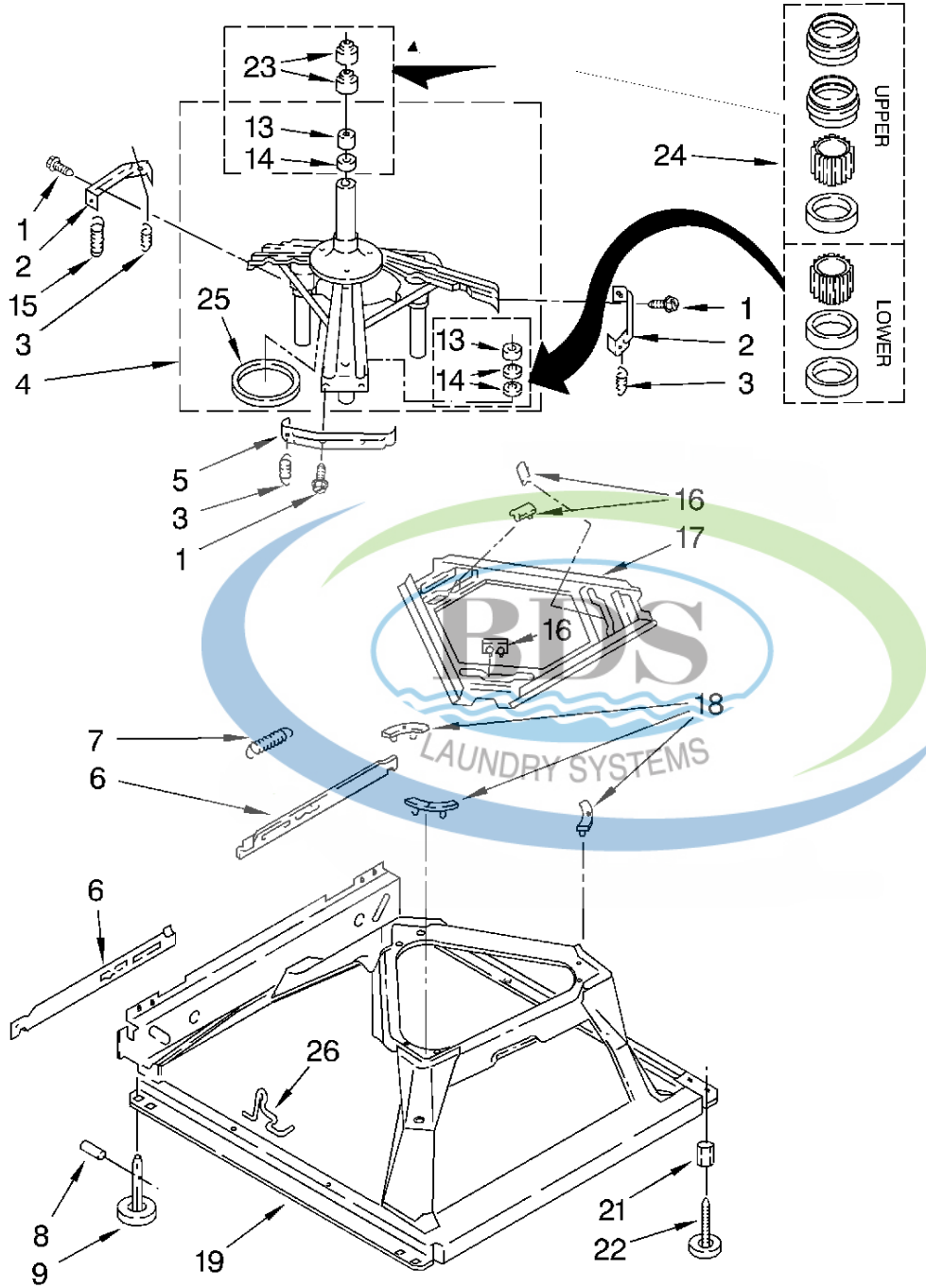
10

Ref #	Part Number	Qty.	Description
1	285792		Brake & Drive Tube (Complete)
2	63292		Washer, Spin Tube Thrust
3	W10080230		Ring, Spin Tube Support
4	285353		Ring, Retainer
5	285785		Clutch (Complete)
6	3360629		Band & Lining, Clutch (Includes Illus. 7 & 8)
7	62646		Cap, Clutch Spring (2)
8	3946792		Spring, Clutch
9	3360630		Gearcase (Complete)
10	3400516		Screw, Gearcase To Base (3)
11	62611		Plate, Motor Mount To Gearcase
12	62691		Grommet, Motor (4)
13	285753A		Coupling, Motor And Isolation
14	273556		Screw (2) No.10-16 X 5/8
16	3400516		Screw
17	W10086010		Retainer, Motor (2)
18	3362089		Shield, Tub To Motor
19	661600		Motor, Main Drive
20	8529896		Switch, Main Drive Motor
21	8546127		Retainer, Pump (2)
22	3363394		Pump (Complete)
23	3390631		Screw, 10-16 x 3/8
24	3355454		Clip, Anti- Rattle
25	8572717		Capacitor
26	357030		Clamp, Capacitor



MACHINE BASE PARTS

For Model: CAM2752JQ0
(White)

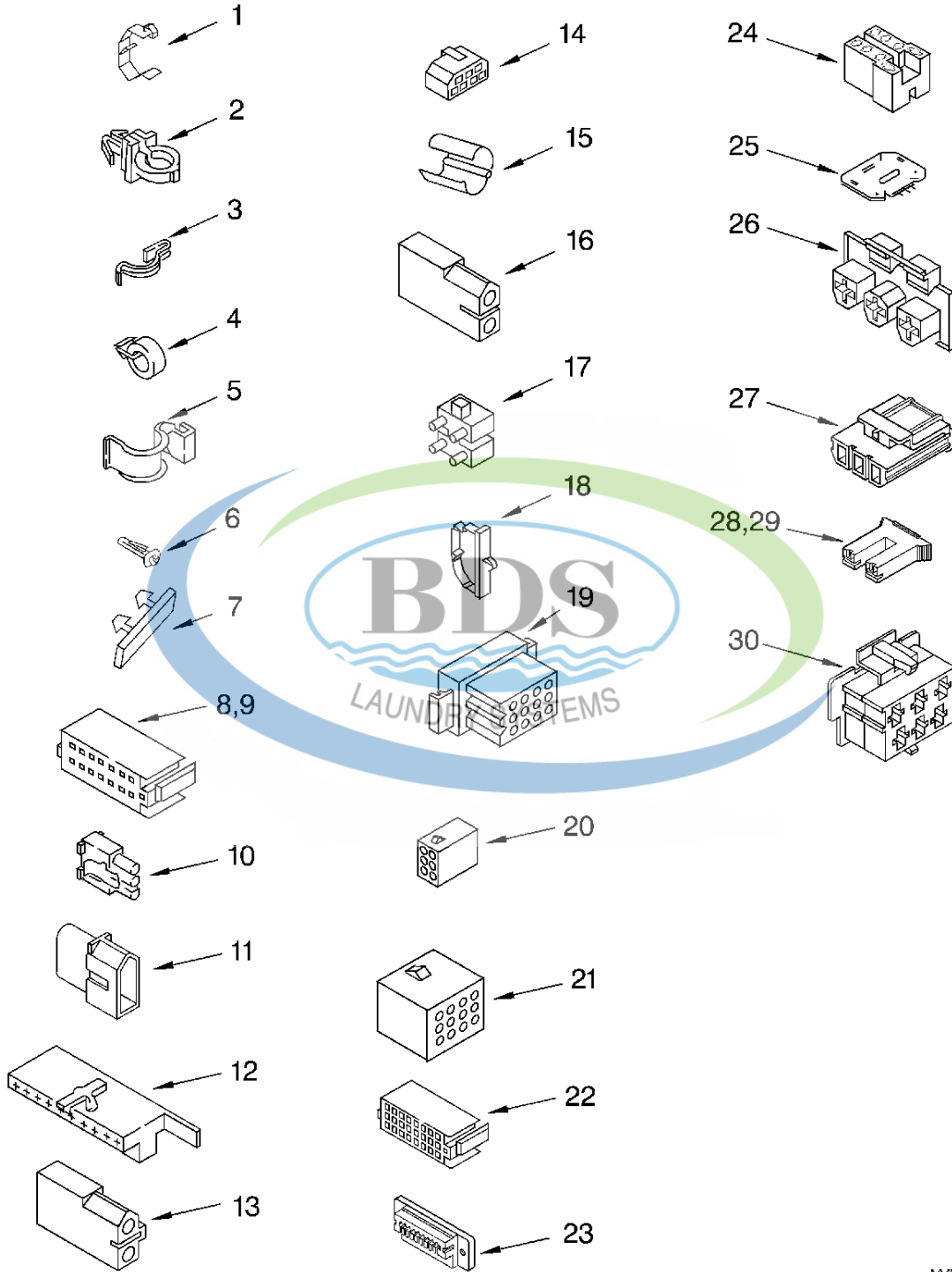


Ref #	Part Number	Qty.	Description
1	273556		Screw, Bracket Mounting (10-16 x 5/8)
2	64067		Bracket, Spring Outer (2)
3	63907		Spring, Suspension (3)
4	280184		Support & Brake, Tub
5	64065		Bracket, Spring Outer (L.F.)
6	63466		Link, Leveling Mechanism (2)
7	8316845		Spring, Leveling Mechanism
8	62837		Pin, Knurled
9	285244		Foot, Rear (2)
13	3347047		Bearing, Centerpost (2)
14	357409		Seal, Centerpost (3)
16	285219		Pad, Plate
17	3946509		Plate, Suspension (Includes Illus. 16)
18	285744		Pad, Base
19	285771		Base Assembly (Includes Illus. 6, 7, 8, 9, 18 & 26)
21	3359452		Nut, Lock (3/8-16)
22	W10001130		Foot, Front (2)
23	8577376		Seal, Centerpost (2)
24	285203		Centerpost Bearing Kit (Includes Illus. 13, 14 & 23)
25	63134		Ring, Sound Deadening
26	W10145155		Retainer, Suspension Spring



WIRING HARNESS PARTS

For Model: CAM2752JQ0
(White)



WH2G

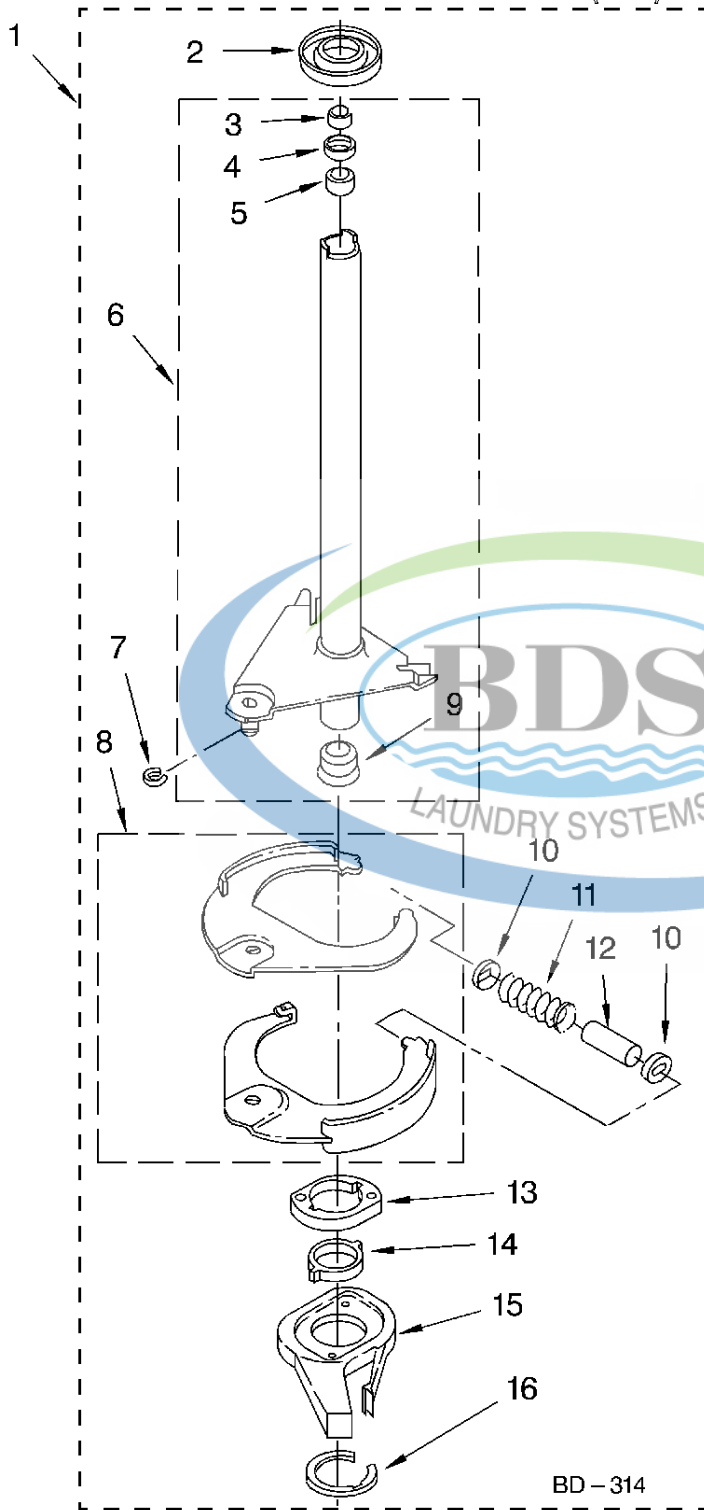
Ref #	Part Number	Qty.	Description
1	3349557		Clip, Harness
2	388498		Clip, Harness
4	3352501		Clip, Harness
5	90016		Clip, Harness
6	3390496		Clip, Harness
7	389379		Retainer, (Suds Models)
8	352090		Timer, Block Disconnect (White)
9	352089		Timer, Block Disconnect (Black)
10	62889		Receptacle, Terminal (3-Way) (Lid Switch) (Use Term. 94613 Or...
11	353424		Plug, Terminal (3-Way) (Power Cord) (Use Term. 94613)
12	62505		Block, Disconnect (Motor 2 Speed) (Use Term.352088)
13	3348075		Block, Disconnect (Motor 3 Speed) (Use Term. 94613 Or 94614)
14	3347243		Block, Disconnect (Use Term. 352088)
15	63523		Protector
16	717252		Connector (2-Way) (Use Term. 94614)
17	387566		Plug, Terminal (4-Way) (Power Cord) (Use M3 Screws)
18	3352944		Clip, Harness
19	3390423		Block, Disconnect (12-Way) (Timer) (Use Term. 94613)
20	3347730		Receptacle (6-Way) (Use Term. 94613)
21	388818		Plug, Terminal (12-Way) (Use Term. 94613 Or 94614.)
22	3369366		Timer, Block Disconnect (Black) (Amp) (Use Term.3369365)
23	3349494		Connector, Etc
24	60687		Connector, Relay (Use Term. 308569)
25	3407125		Control, ETC
26	3948617		Connector (T.P.A.) (3-Circuit) (Lid Switch) (Use Term. 3948619...
27	3360056		Connector (T.P.A) (3-Circuit) (Pressure Switch) (Use Term. 3948...
28	3354925		Block, Connector (Cold Valve) (Use Term.693217)
29	3354926		Block, Connector (Hot Valve) (Use Term.693217)
30	3948615		Connector (T.P.A.) (6-Circuit) (Temp. Switch) (Use Term.394861...



BRAKE AND DRIVE TUBE PARTS

For Model: CAM2752JQ0

(White)



BD-314

8315970

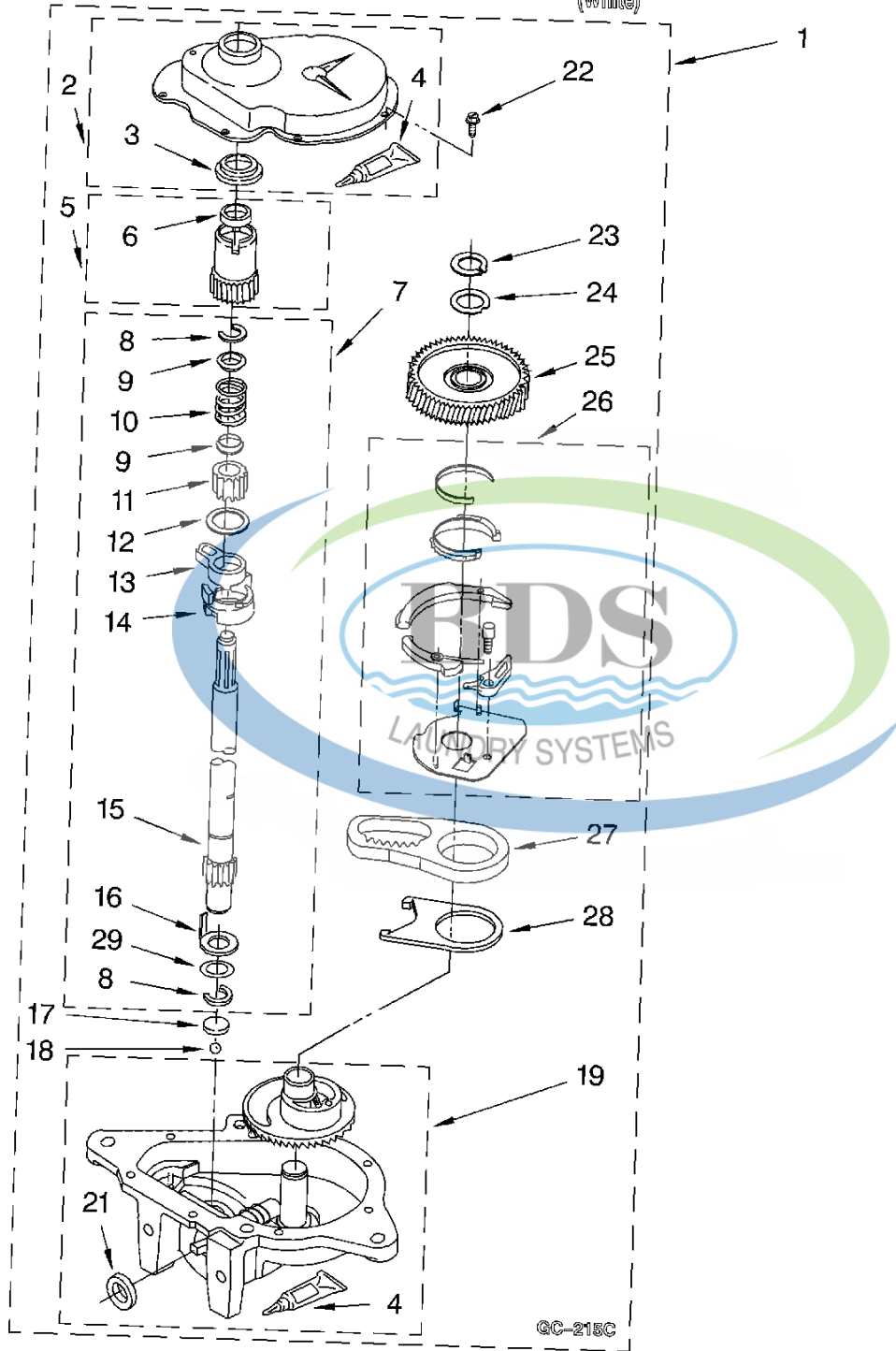
14

Ref #	Part Number	Qty.	Description
1	285792		Brake And Drive Tube (Complete)
3	91939		Seal, Oil
4	356427		Seal, Drive Tube
5	356937		Spacer, Drive Tube
6	64208		Tube, Basket Drive (Includes Illus. 3, 4, 5 & 9)
7	W10083190		Ring, Retaining
8	285438		Shoe, Brake
9	8546462		``T`` Bearing, Spin Tube
10	285658		Cap, Brake Spring (2)
11	62647		Spring, Brake
12	285658		Sleeve, Brake Spring
13	8546461		Cam, Brake Release
14	63022		Sleeve, Cam
16	90368		Ring, Retaining



GEARCASE PARTS

For Model: CAM2752JQ0
(White)



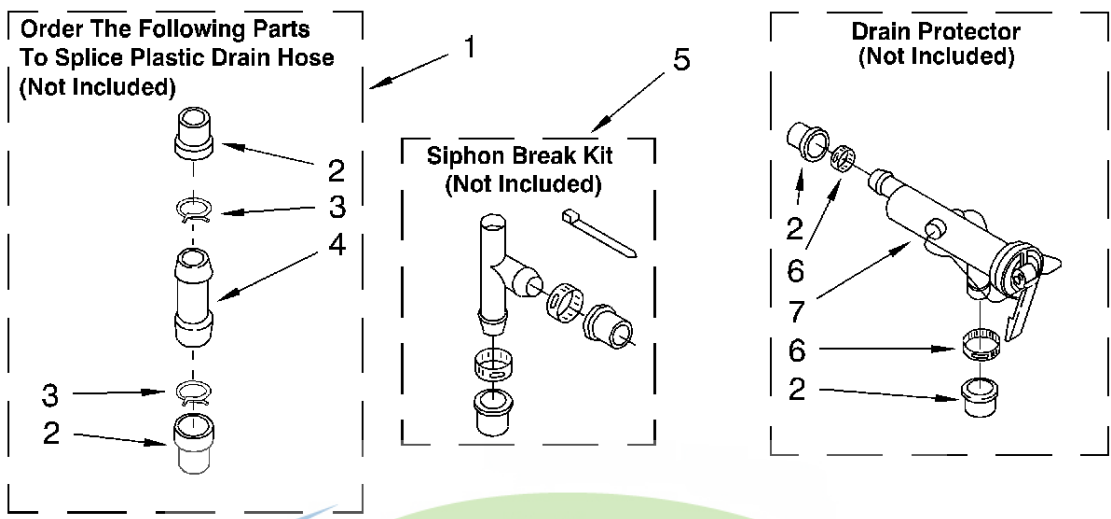
GC-215C

Ref #	Part Number	Qty.	Description
1	3360630		Gearcase (Complete)
2	285202		Cover, Gearcase
3	3349985		Seal, Gearcase Cover
4	285195		Sealer, Gasket (.20 Fl. Oz.) (6 ml)
5	63320		Pinion, Spin (Includes Illus. 25)
6	356427		Seal, Spin Pinion
7	389387		Shaft, Agitstor (Complete)
8	90369		Ring, Retaining (2)
9	62677		Retainer, Spring
10	62676		Spring, Agitator
12	62619		Washer, Agitator Gear
13	62580		Cam Follower (Includes 14)
14	62581		Cam, Agitate (Includes 13)
15	285509		Shaft, Agitator (Includes 11 & 29)
16	62618		Washer, Cam Thrust
17	16018		Bearing, Thrust
18	85529		BALL BEARING
19	389230		Bottom and Pinion, Gearcase
21	285352		Seal, Thrust Plug
22	3351614		Screw, Gearcase Cover, Mounting (8) (10-24 x 3/8)
23	3362552		Ring, Retaining
24	285735		Washer Kit, Thrust
25	62570		Gear, Spin
27	3349296		Rack, Connecting
28	62621		Actuator, Shift
29	388815		Washer, Intermediate



WATER SYSTEM PARTS

For Model: CAM2752JQ0
(White)



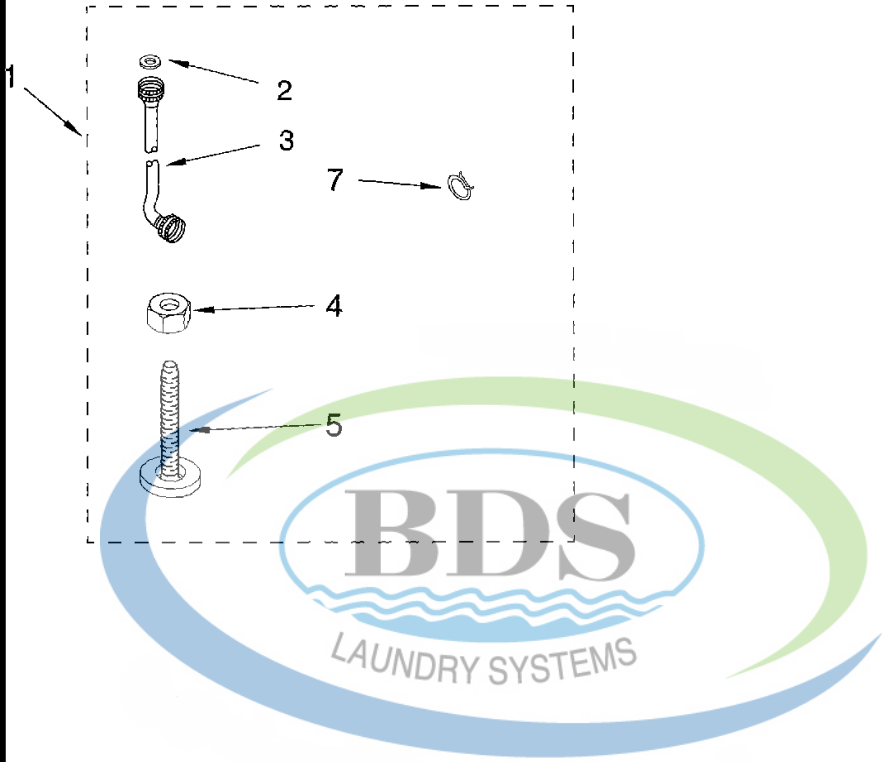
WS400

Ref #	Part Number	Qty.	Description
2	285321		Sleeve Kit, (Contains 2 Sleeves)
3	370447		Clamp, Hose
4	16272		Connector, Straight
5	285320		Siphon Break Kit (Not Included)
6	65349		Clamp, Hose
7	367031		Drain Protector (Not Included)



MISCELLANEOUS PARTS

For Model: CAM2752JQ0
(White)



Ref #	Part Number	Qty.	Description
1	3954579		Miscellaneous Parts Bag
2	16123		Washer, Inlet Hose (1-1/16 x 5/8) (4)
3	3949380		Inlet Hose (Blue Coupler)
3	3949381		Inlet Hose (Red Coupler)
4	3359452		Nut, Lock (3/8-16)
5	389102		Foot, Front (2)
7	356138		Clamp, Hose

