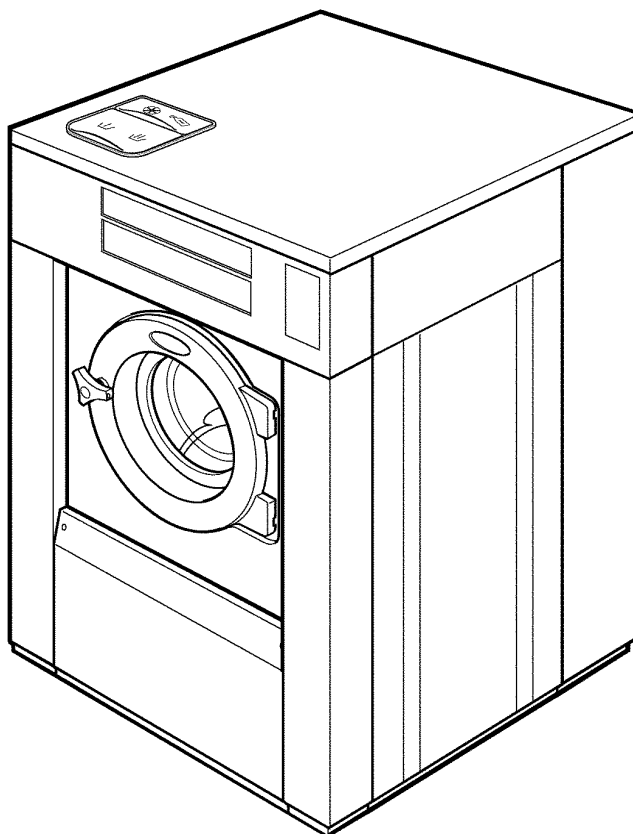


WASCOMAT

Spare Parts Catalogue

Catalogue de pièces de rechange



EX670c/s

Washer extractor

Laveuses essoreuses

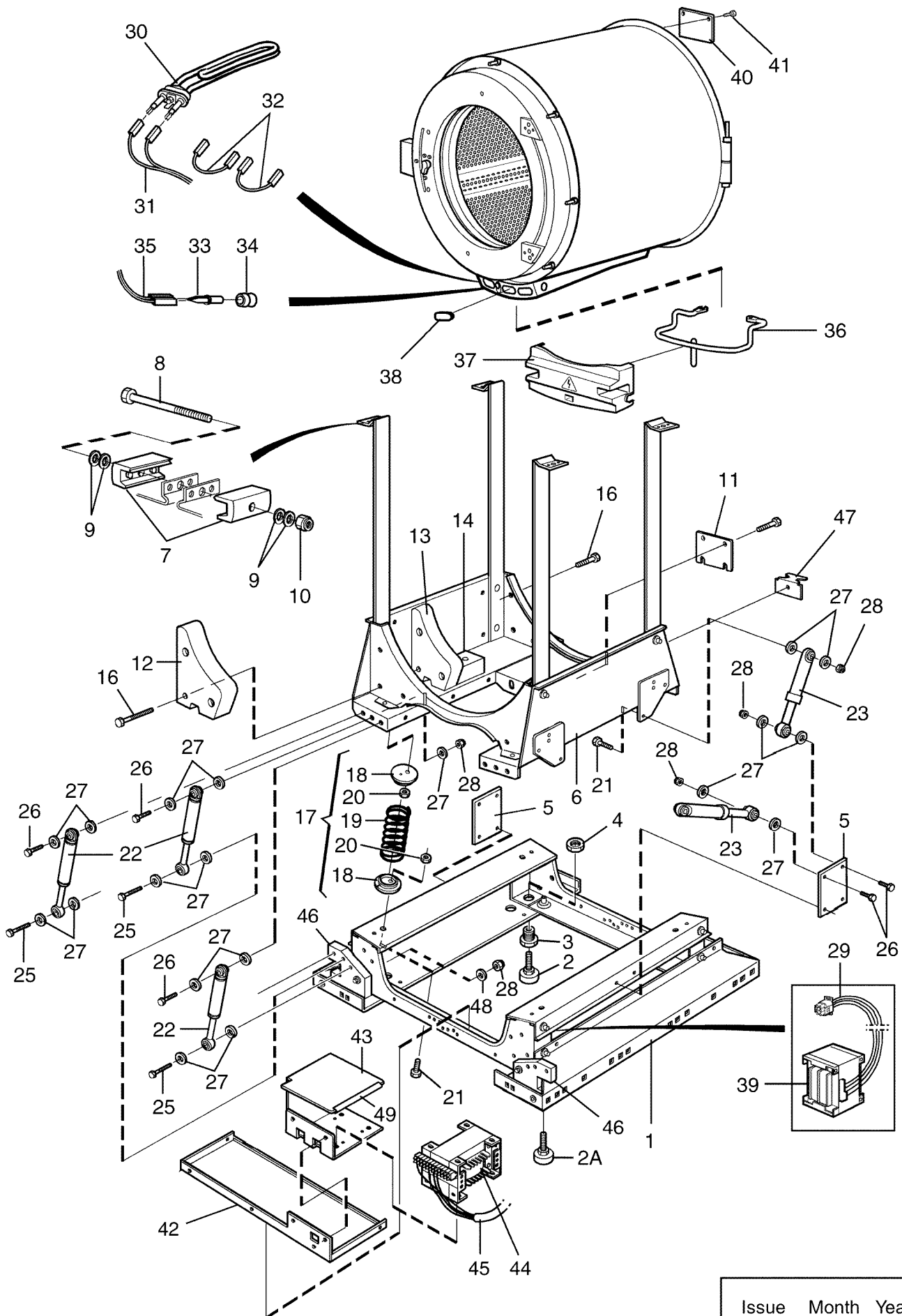
List of issues

EX670c,EX670s,FAS3300H,W3300H

Illustration	Page	Table of contents
101760	13	Drum, rear gable
101765	35	Electrical components Clarus
101766	37	Motor control
101767	47	Drain valve and hoses
101769	27	Control panel Exacta
101770	29	Control panel Clarus
101771	51	Detergent container
101772	45	Drain valve
101776	17	Door lock
101785	15	Door and hinged joint
101790	41	Water connections
101791	39	Electric components connection
101792	43	Inlet valves and cable set
101918	49	Steam components
101922	55	Out of balance switch
101928	31	Electrical components Exacta
101931	53	Spray system
101960	11	Lining and top panel
102107	57	CMIS
102193	9	Base and outer drum
102194	19	Motor

EX670c,EX670s,FAS3300H,W3300H

Table of contents	Table des matières	Page/Page
Base and outer drum	Base et tambour externe	9
Lining and top panel	Panneau frontal avec pupitre de commande	11
Drum, rear gable	Tambour, pignon arrière	13
*Door and hinged joint	Assemblage articulé et plaque	15
Door lock	Serrure de porte	17
Motor	Moteur	19
Control panel Exacta	Pupitre de commande Exacta	27
Control panel Clarus	Pupitre de commande Clarus	29
Electrical components Exacta	Composants électriques Exacta	31
Electrical components Clarus	Composants électriques Clarus	35
Motor control	Variateur de vitesse	37
Electric components connection	Composants électriques raccordement électrique	39
Water connections	Raccords d'eau	41
Inlet valves and cable set	Inlet valves and cable set	43
Drain valve	Vanne de vidange	45
Drain valve and hoses	Purgeur et flexible	47
Steam components	Composants	49
Detergent container	Compartiment à savon	51
Spray system	Assemblage articulé et plaque	53
Out of balance switch	Commutateur asymétrique	55
CMIS	CMIS	57



Issue	Month	Year
06	01	06

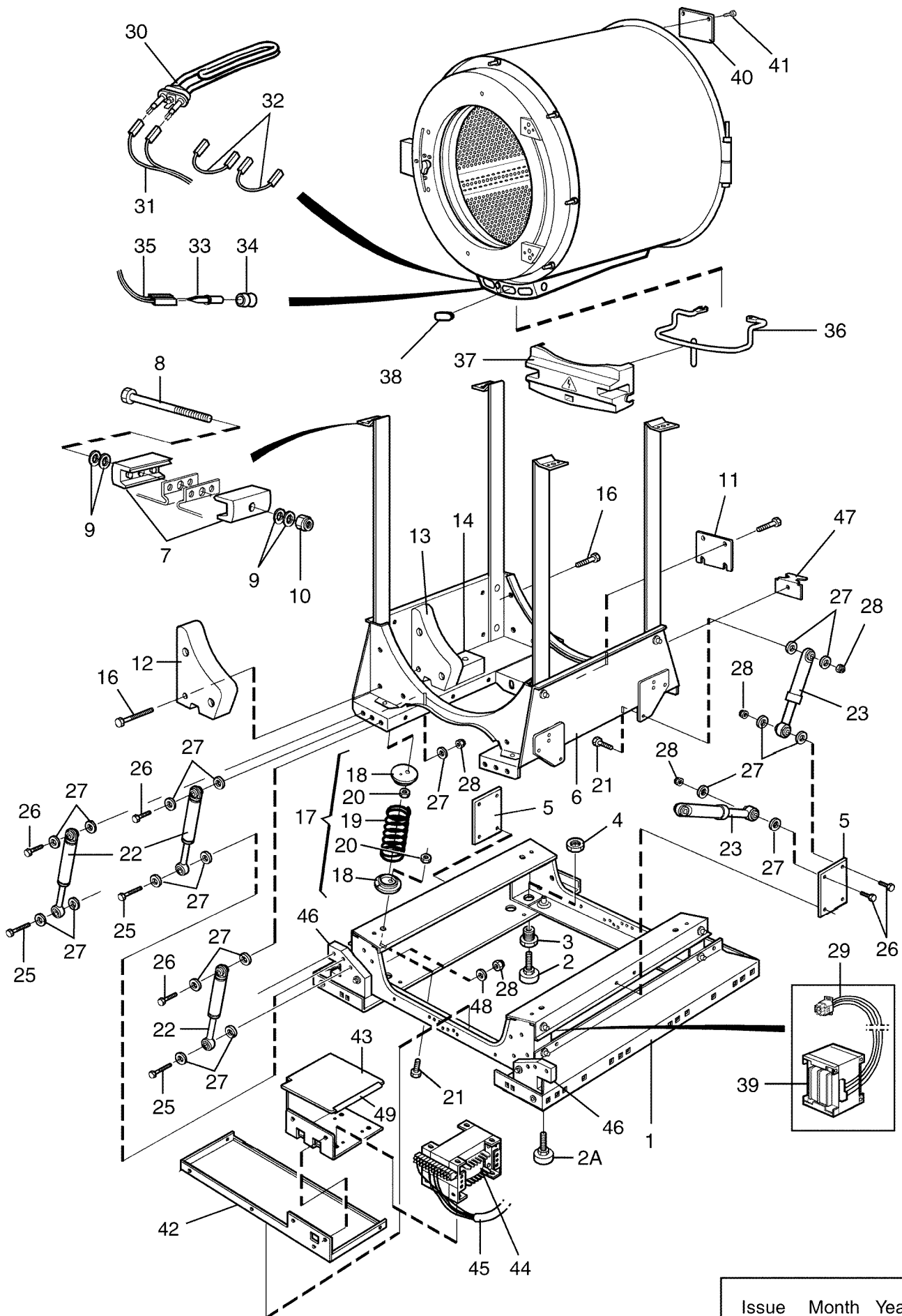
EX670c,EX670s,FAS3300H,W3300H

Base and outer drum

Base et tambour externe

Illustration Issue Month Year
Schéma Issue Month Year
102193/5 10 8 2006

Item Article	Qua. Qua.	Art.No Réf. article	Description	Description	Info Info	Notes Remarques
1	1	432 1413-01	Frame	Base	3	Lower
2	4	438 8156-01	•Foot	•Pied	3	M10 -795/00418
2A	4	438 8156-03	•Foot	•Pied	3	M12 795/00419-
3	4	432 1458-01	•Bushing	•Douille	3	M10 -795/00418
	4	432 1458-02	•Bushing	•Douille	3	M12 795/00419-
4	4	471 8413-01	•Nut	•Écrou	3	M20
5	2	432 1468-01	•Bracket	•Support de montage	3	Middle
6	1	432 1414-01	Frame	Base	3	Upper
7	4	432 1453-01	•Tensioner	•Crochet	3	
8	2	725 2465-71	•Screw	•Vis	3	M8X70
9	8	471 7807-02	•Tension plate	•Tôle de serrage	3	18x8,4x2
10	2	732 2118-01	•Locking nut	•Contre-écrou	3	M8
11	1		•Bracket	•Support	3	
12	1	432 1406-01	•Counterweight	•Contrepoids	3	Left
	1	432 1406-02	•Counterweight	•Contrepoids	3	Right
13	1	432 1407-01	•Counterweight	•Contrepoids	3	Left
	1	432 1407-02	•Counterweight	•Contrepoids	3	Right
14	2	432 1437-01	•Counterweight	•Contrepoids	3	
15						Not used
16	12	471 8328-08	•Screw	•Vis	3	M10X80
17	1	472 9913-63	Suspension	Ressorts de suspension	1	Kit compl.
18	8		•Spring retainer	•Montage suspension		
19	4		•Spring	•Ressort		
20	8		•Nut	•Écrou		
21	14	471 8328-09	Screw	Vis	3	M10X20
22	1	472 9913-33	Shock absorber	Frotteurs	1	Complete kit 10 pcs
23	1	472 9913-08	Shock absorber	Frotteurs	1	Complete kit, 4 pcs
24	6	471 8555-03	Bushing	Douille	3	
25	9	725 2464-51	Screw	Vis	3	M8X65
26	17	725 2461-51	Screw	Vis	3	M8X50
27	Rq	471 8502-34	Washer	Rondelle	3	8,4x24x2
28	Rq	732 2118-01	Locking nut	Contre-écrou	3	M8
29	1	432 2985-01	Cable set	Jeu de câbles	3	
30	3	471 9822-24	Heating element	Élément de chauffage	1,2	6.36kW 230V -795/6881
	3	471 9827-24	Heating element	Élément de chauffage	1,2	6.36kW 230V 795/6882-
	3	471 9822-21	Heating element	Élément chauffant	1,2	6.6kW 240V -795/6881
	3	471 9827-21	Heating element	Élément de chauffage	1,2	6.6kW 240V 795/6882-
	3	471 9822-22	Heating element	Élément chauffant	1,2	7kW 254V -795/6881
	3	471 9827-22	Heating element	Élément de chauffage	1,2	7kW 254V 795/6882-
	3	471 9822-23	Heating element	Élément chauffant	1,2	7.4kW 277V -795/6881
	3	471 9827-23	Heating element	Élément de chauffage	1,2	7.6kW 277V 795/6882-
	3	471 9823-41	Heating element	Élément chauffant	1,2	3,65 kW 240V, Mop -795/6881
31	1	432 2951-05	Cable set	Jeu de câbles	3	400V Heating -795/6881
	1	413 2965-02	Cable set	Jeu de câbles	3	400V 795/6882-
	1	432 2952-03	Cable set	Jeu de câbles	3	230V Heating 230V -795/6881
	1	413 2965-03	Cable set	Jeu de câbles	3	230V 795/6882-
32	2	432 2953-06	Cable set	Jeu de câbles	3	400V -795/6881
	2	413 2965-01	Cable set	Jeu de câbles	3	400V 400V 795/6882-
33	1	472 9913-22	Sensor	Capteur	1,2	Complete
34	1	471 8192-01	•Bushing	•Douille	1	
35	1	432 3082-77	Cable set	Jeu de câbles	3	
36	1	432 1653-01	Clamp	Bride de fixation	3	
37	1	432 1654-01	Cover	Couvercle	3	
38	3	471 9822-99	Plug	Fiche	3	
39	1	471 9550-54	Transformer	Transformateur	1	200V
	1	471 9550-59	Transformer	Transformateur	1	356V,380V,415V,440V,480V
40	1	432 1649-01	Plate	Tableau	3	
41	8	471 8328-05	Screw	Vis	3	M8X20
42	1	432 1426-01	Beam	Poutre	3	



Issue	Month	Year
06	01	06

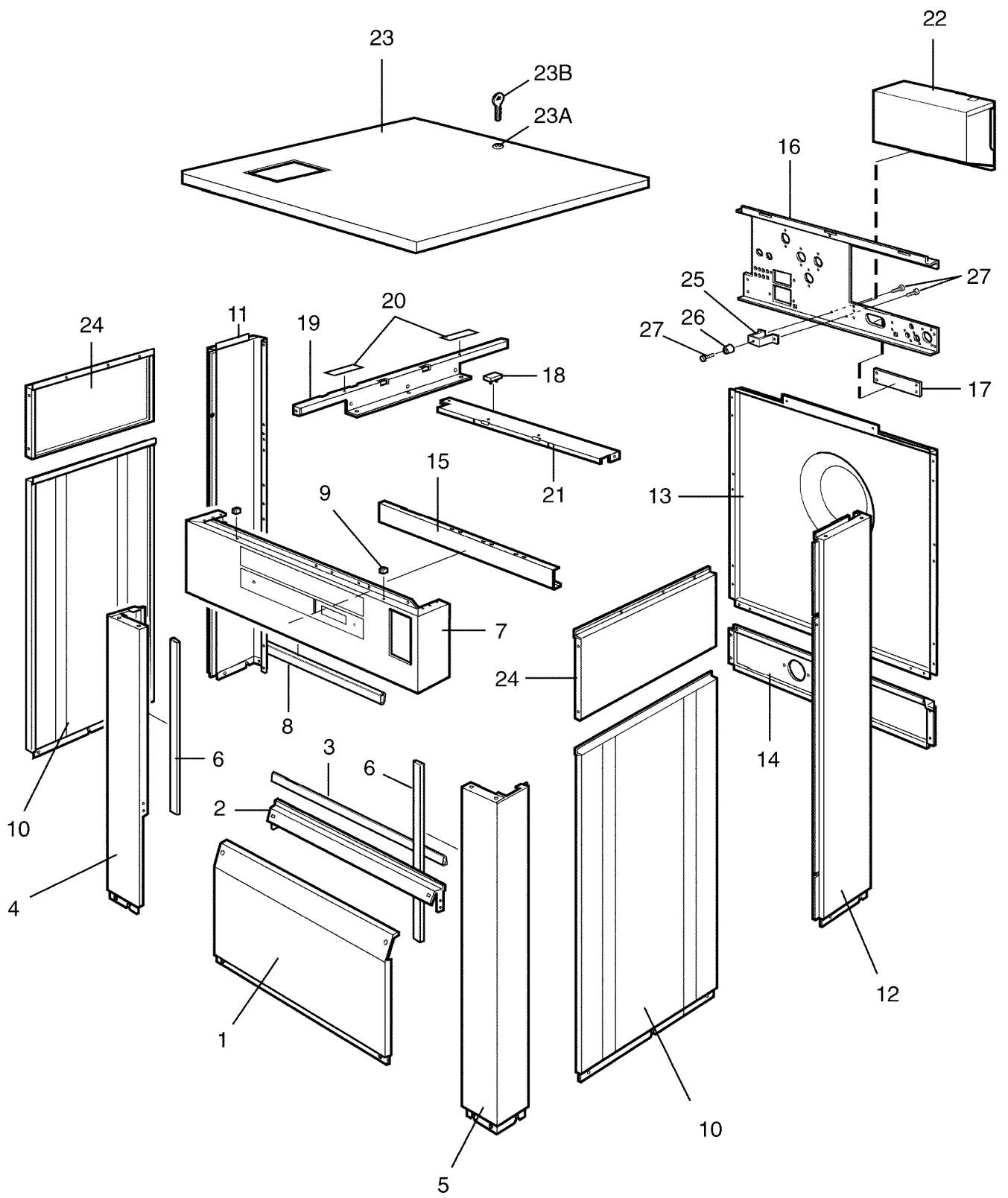
EX670c,EX670s,FAS3300H,W3300H

Base and outer drum

Base et tambour externe

Illustration	Issue	Month	Year
Schéma	Issue	Month	Year
102193/5	10	8	2006

Item Article	Qua. Qua.	Art.No Réf. article	Description	Description	Info Info	Notes Remarques
43	1	432 1421-01	Bracket	Pupitre	3	
44	1	438 9563-01	Transformer	Transformateur	1	380-480V
45	1	432 2977-01	Cable set	Jeu de câbles	3	100-120V
46	4	432 1399-02	Bracket	Support de montage	3	
47	2	432 1335-01	Guide	Guide	3	
48	Rq	471 8502-34	Washer	Rondelle	3	8,4x24x2
49	1	471 8180-10	Strip	Ruban	3	



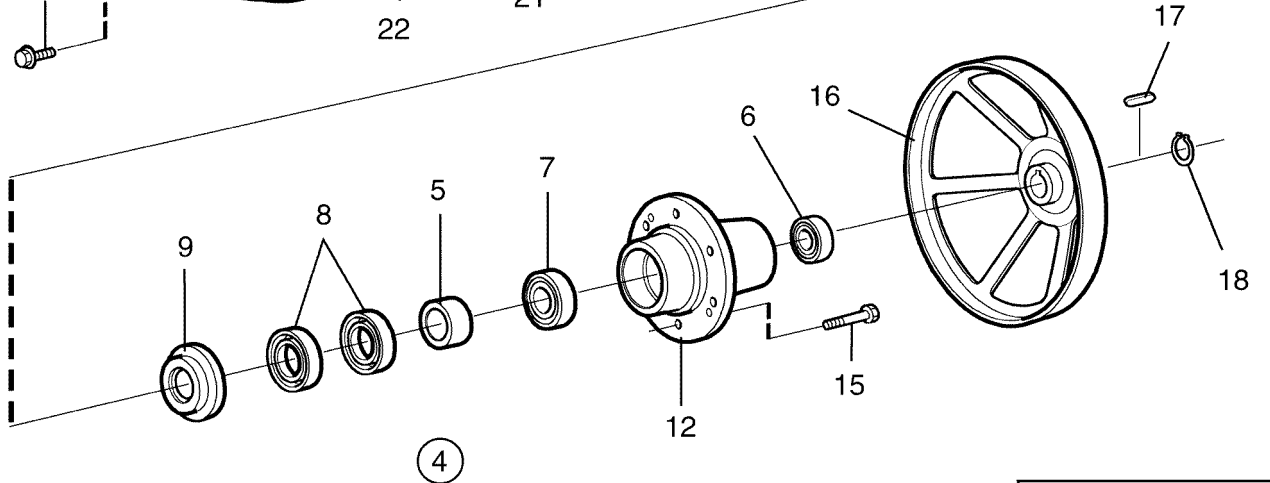
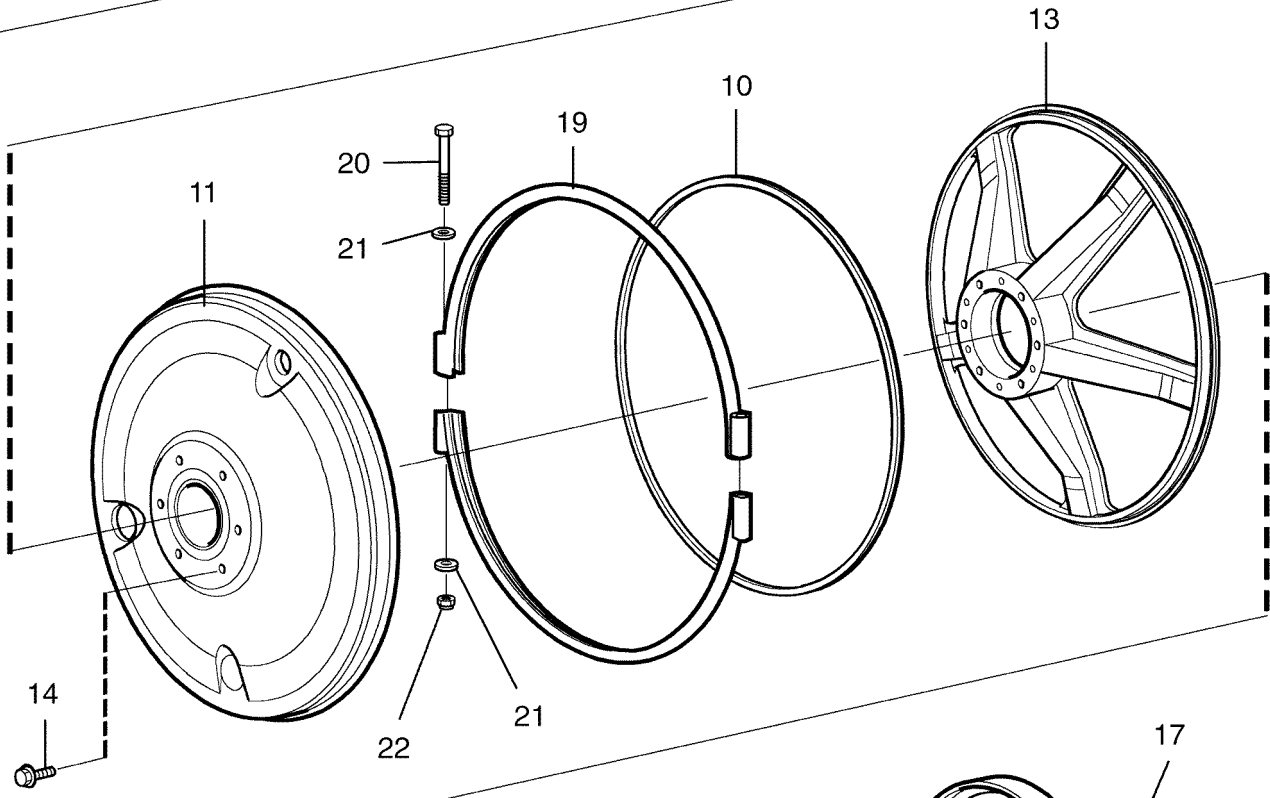
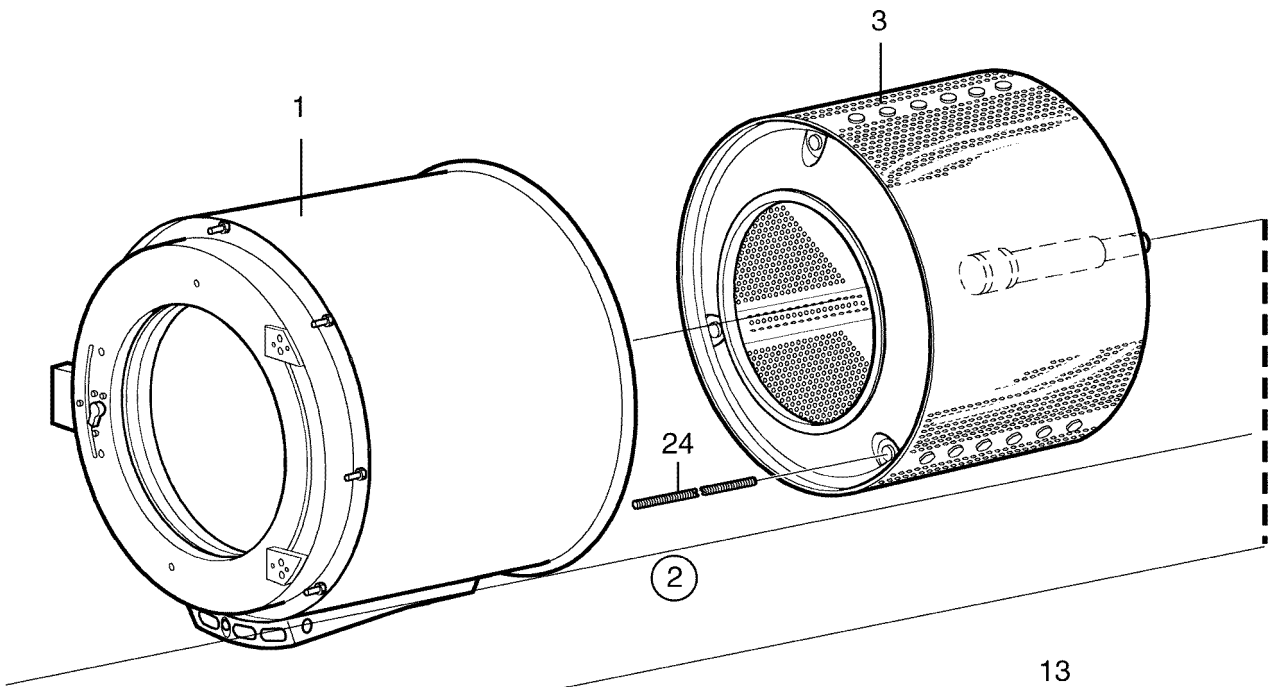
EX670c,EX670s,FAS3300H,W3300H

Lining and top panel

Panneau frontal avec pupitre de commande

Illustration Issue Month Year
Schéma Issue Month Year
101960/4 7 4 2006

Item Article	Qua. Qua.	Art.No Réf. article	Description	Description	Info Info	Notes Remarques
1	1	432 2004-01	Front plate	Panneau avant	3	Stainless
2	1	432 2135-02	Brace	Montant	3	
3	1	432 2163-15	Rubber strip	Joint caoutchouc	3	L=730
4	1	432 2052-01	Pillar	Montant	3	Stainless Left
5	1	432 2052-02	Pillar	Montant	3	Stainless Right
6	2	432 2163-13	Rubber strip	Joint caoutchouc	3	L=760
7	3	471 8342-15	Screw	Vis	3	
8	1	432 2163-13	Rubber strip	Joint caoutchouc	3	L=760
9	2	438 5335-01	Guide	Guide	3	
10	2	432 2207-31	Side panel	Panneau latéral	3	Grey, complete
	2	432 2207-32	Side panel	Panneau latéral	3	White, complete
	2	432 2207-40	Side panel	Panneau latéral	3	
11	1	432 2059-01	Side panel	Panneau latéral	3	Grey Left
	1	432 2059-03	Side panel	Panneau latéral	3	White Left
	1	432 2059-10	Side panel	Panneau latéral	3	Stainless Left
12	1	432 2059-02	Side panel	Panneau latéral	3	Grey Right
	1	432 2059-04	Side panel	Panneau latéral	3	White Right
	1	432 2059-11	Side panel	Panneau latéral	3	Stainless Right
13	1	432 2068-01	Rear panel	Paroi arrière	3	Upper
14	1	432 2069-01	Rear panel	Panneau arrière	3	Lower
15	1	432 2179-01	Brace	Montant	3	
16	1	432 2107-01	Brace bracket	Support de montant	3	
17	1	432 2844-01	Cover plate	Couvercle	3	DS
18	2	471 8641-02	Plug	Fiche	3	
	1	432 2131-04	Brace	Montant	3	
20	5	471 7565-21	Velcro tape	Bande de serrage	3	
21	1	432 2121-04	Brace	Montant	3	
22	1	432 2170-01	Plate	Cloison	3	
23	1	432 2096-01	Top panel	Couvercle	3	
	1	432 2096-02	Top panel	Couvercle	3	No detergent container
24	2	432 2040-01	Side panel	Panneau latéral	3	Grey Upper
	2	432 2040-02	Side panel	Panneau latéral	3	White Upper
	2	432 2040-10	Side panel	Panneau latéral	3	Stainless Upper
25	1	432 2137-01	Bracket	Pupitre	3	
26	1	471 7980-01	Stop	Butoir	3	
27	3	471 8342-15	Screw	Vis	3	



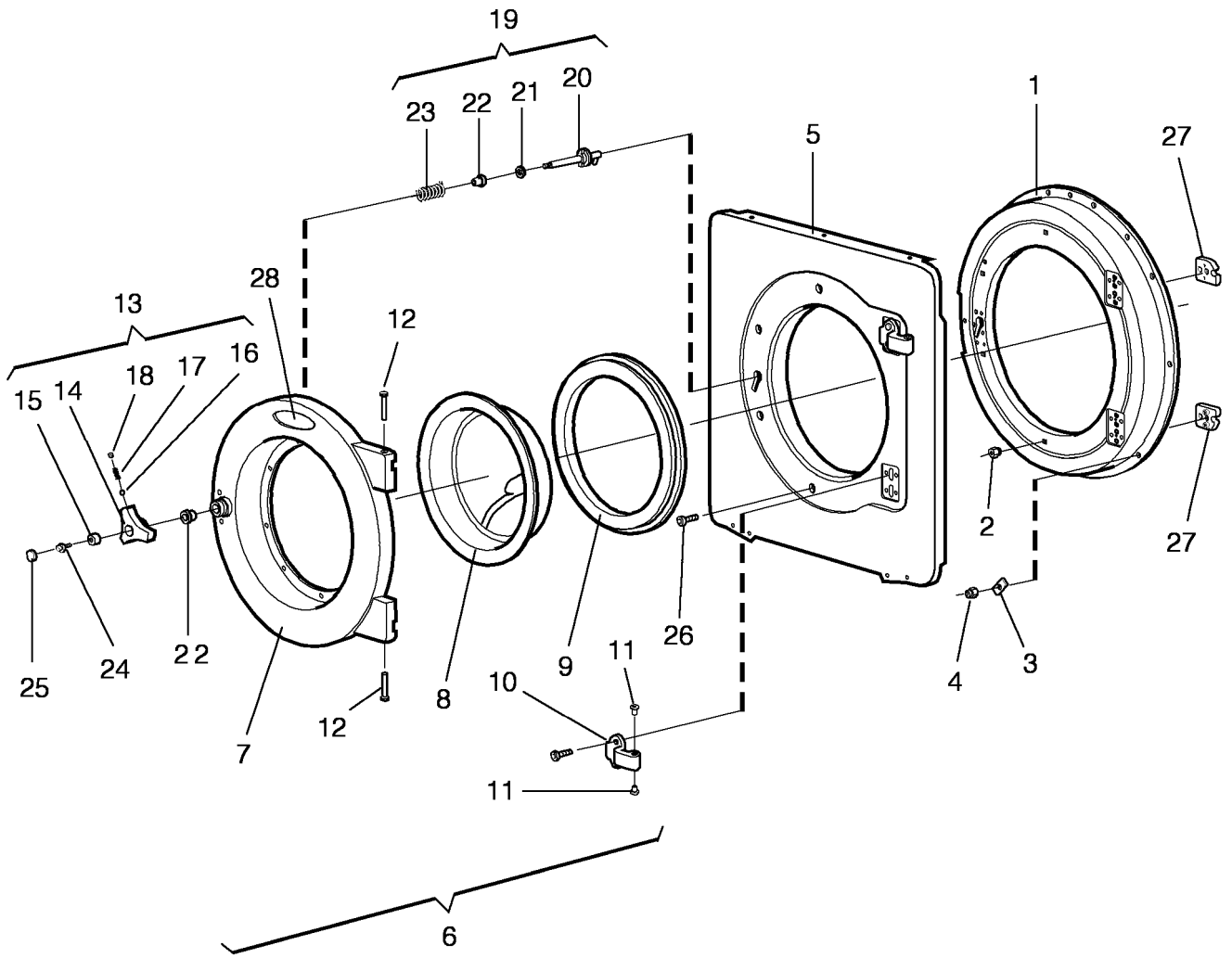
EX670c,EX670s,FAS3300H,W3300H

Drum, rear gable

Tambour, pignon arrière

Illustration Issue Month Year
Schéma Issue Month Year
101760/4 7 5 2004

Item Article	Qua. Qua.	Art.No Réf. article	Description	Description	Info Info	Notes Remarques
1	1	432 1574-21	Outer drum	Tambour extérieur	3	Non-heated
	1	432 1574-22	Outer drum	Tambour extérieur	3	EL.
	1	432 1574-23	Outer drum	Tambour extérieur	3	DS
2	1	432 1609-51	Back plate	Pignon arrière	3	Complete
	1	432 1609-52	Back plate	Pignon arrière	3	With level tube
3	1	432 1504-41	•Inner drum	•Intérieur du tambour	3	
4	1	472 9913-64	•Repair kit	•Kit de reconditionnement	1,2	
5	1		••Bushing	••Douille		
6	1		••Ball bearing	••Roulement à billes		
7	1		••Ball bearing	••Roulement à billes		
8	2		••Sealing ring	••Bague d'étanchéité		
9	1		••Sealing ring	••Bague d'étanchéité		
10	1	438 8155-05	••Seal	••Joint		
11	1	432 1549-01	•Lining	•Panneau de renfort	3	
12	1	432 1589-01	•Bearing housing	•Logement de palier	3	
13	1	432 1544-01	•End piece	•Pignon	3	
14	10	471 8323-01	•Screw	•Vis	3	M6X12
15	10	471 8328-02	•Screw	•Vis	3	M12X50
16	1	432 1554-01	•Pulley	•Poulie	3	
17	1	735 9630-01	•Wedge	•Cale	3	18x11x63
18	1	735 3147-00	•C-clamp	•Presse à main	3	SGA 60
19	2	432 1569-01	Tension strap	Extenseur	3	
20	2	471 9222-59	Screw	Vis	3	M8X140
21	4	471 8502-14	Washer	Rondelle	3	BRB 8,4X17
22	2	732 2118-01	Locking nut	Contre-écrou	3	M8



Issue	Month	Year
01	10	02

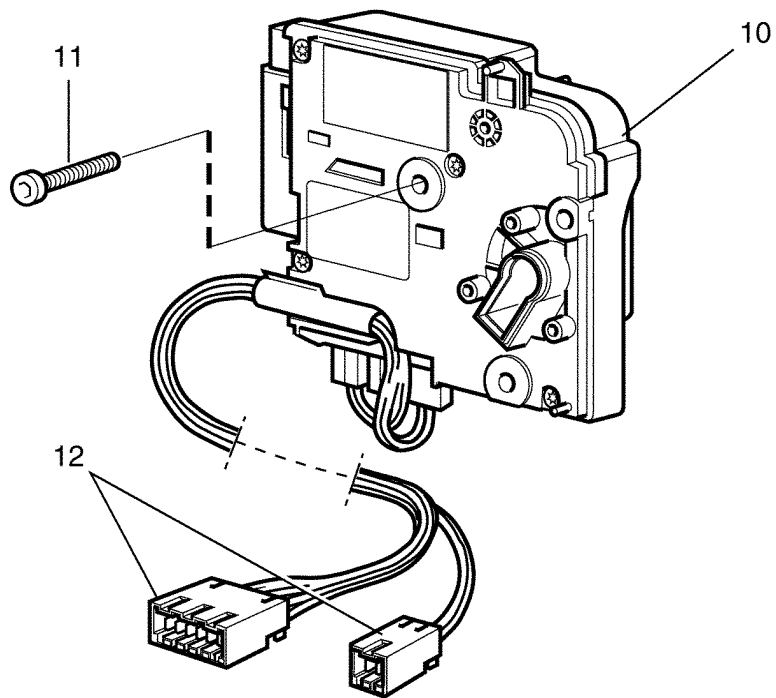
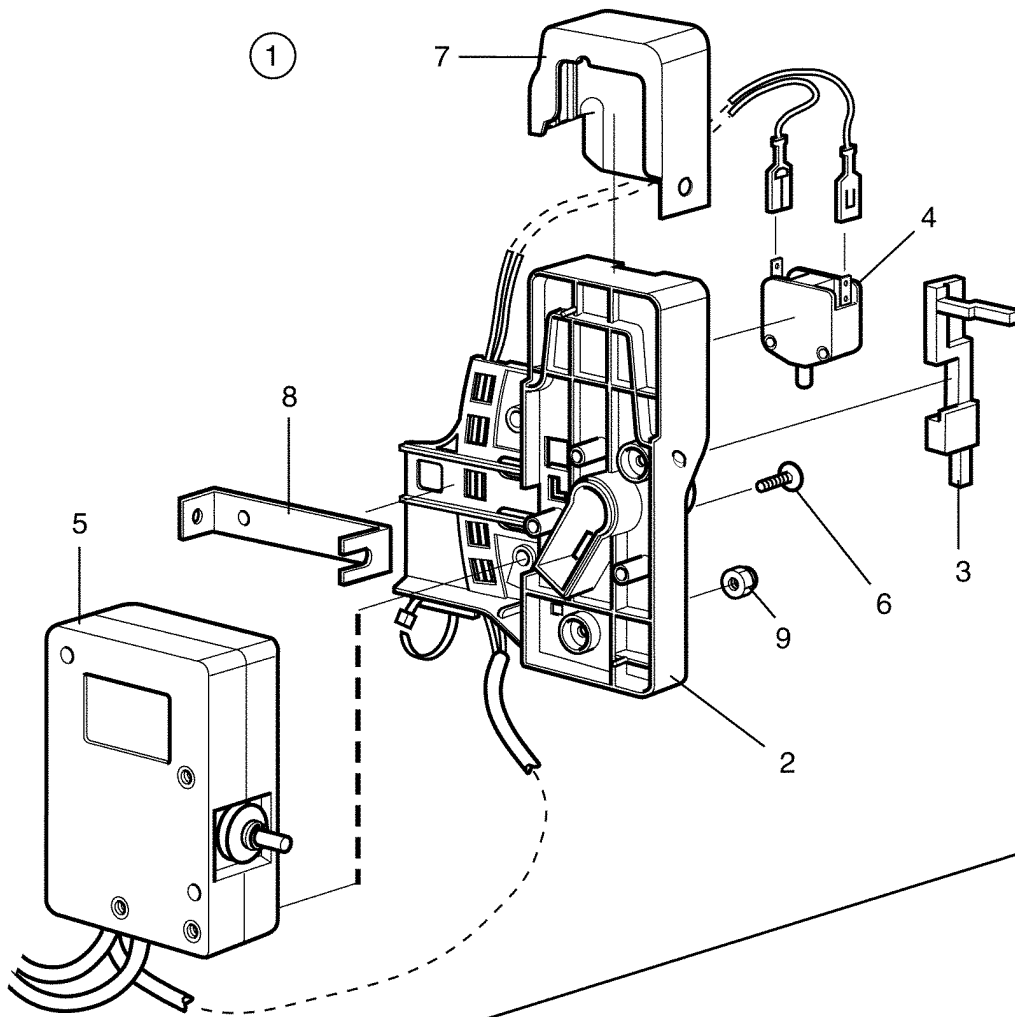
EX670c,EX670s,FAS3300H,W3300H

Door and hinged joint

Assemblage articulé et plaque

Illustration Issue Month Year
Schéma Issue Month Year
101785/1 7 8 2009

Item Article	Qua. Qua.	Art.No Réf. article	Description	Description	Info Info	Notes Remarques
1	1	432 1874-01	Support frame	Panneau de fixation	3	
2	4	471 8458-02	Nut	Écrou	3	M6
3	11	471 8527-01	Spring washer	Rondelle à ressort	3	
4	11	471 8404-02	Locking nut	Contre-écrou	3	M6
5	1	432 1888-01	Trim panel	Plaque de décoration	3	
*	1	432 1888-11	Trim panel	Panneau d'habillage	3	Stainless
6	1	432 4312-01	Door	Plaque	1	Complete
	1	432 4312-02	Door	Plaque	1	Lagoon/ AquaClean Complete
7	1	432 1828-01	•Door	•Plaque	3	
8	1	432 1858-01	•Door glass	•Vitre de la porte	1,2	
	1	432 1858-02	•Door glass	•Vitre de la porte	1,2	Lagoon/ AquaClean
9	1	432 1843-02	•Door gasket	•Joint de porte	1,2	
10	4	432 1950-02	•Hinged joint	•Assemblage articulé	1	
11	8	438 4062-01	•Bushing	•Douille	3	
12	2	432 1962-01	•Pin	•Goupille	3	
13	1	432 1955-01	•Knob	•Bouton de porte	1,2	Complete
14	1		••Knob	••Bouton de porte		
15	1		••Bushing	••Douille		
16	3		••Ball	••Bille		
17	3		••Spring	••Ressort		
18	3	728 8362-11	••Screw	••Vis		
19	1	472 9913-01	•Kit, lock shaft	•Kit réparation de poignée	1,2	
20	1		••Lock shaft	••Axe de verrouillage		
21	1		••Washer	••Rondelle	3	
22	2		••Bushing	••Douille		
23	1		••Torsion spring	••Ressort rotatif		
24	1	725 2366-61	•Screw	•Vis	3	M6SF 6X12
25	1	432 1956-01	•Cover washer	•Rondelle protection	3	
26	8	471 8344-36	Screw	Vis	3	
27	4	432 1951-01	Bracket	Support de montage	3	
28	1	432 2620-06	Sign	Signe	3	Wascator Wascator
	1	432 2620-02	Sign	Signe	3	Wascomat
	1	432 2620-07	Sign	Signe	3	
	1	432 2620-08	Sign	Signe	3	



Issue	Month	Year
02	08	03

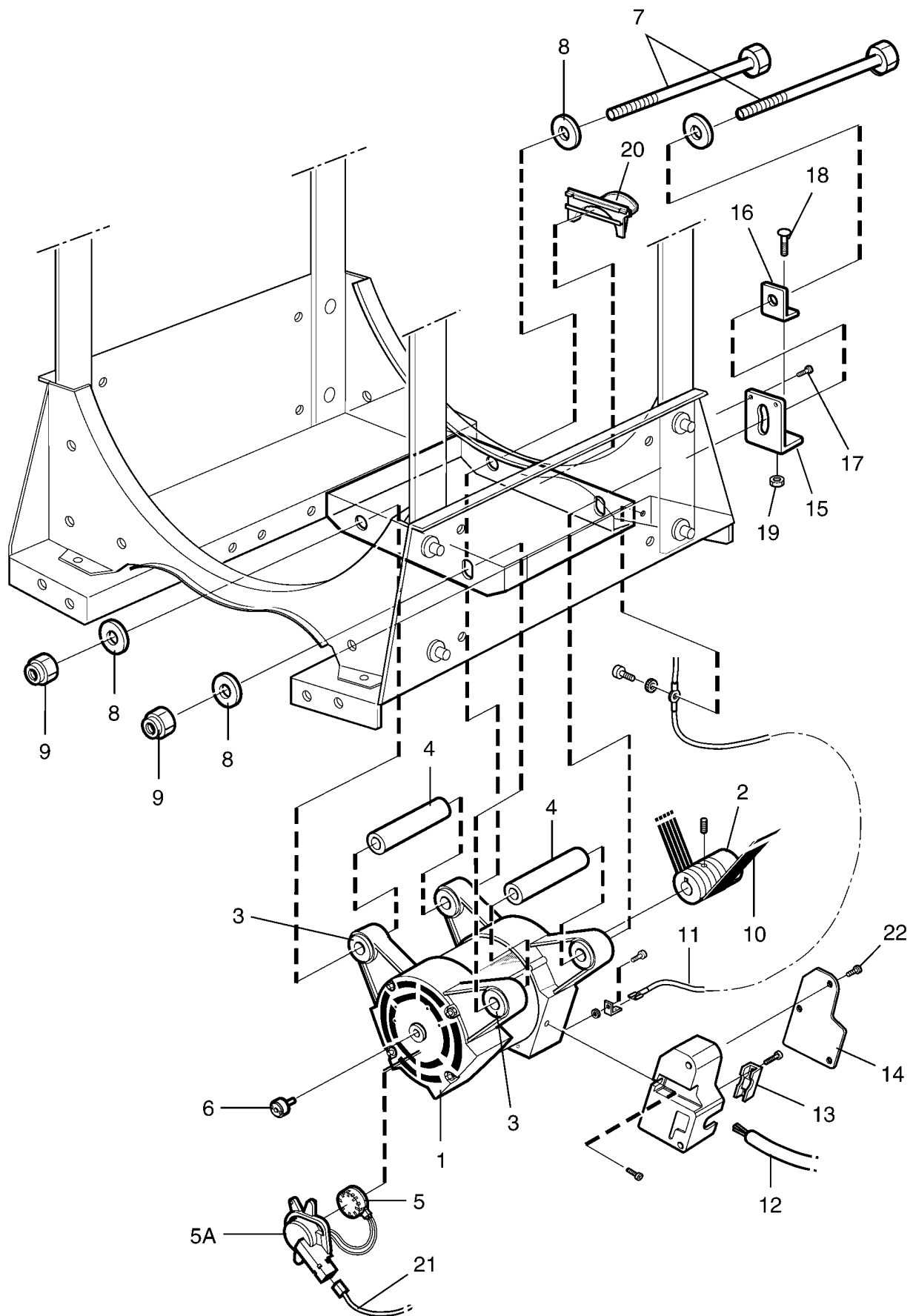
EX670c,EX670s,FAS3300H,W3300H

Door lock

Serrure de porte

Illustration Issue Month Year
Schéma Issue Month Year
101776/2 3 10 2003

Item Article	Qua. Qua.	Art.No Réf. article	Description	Description	Info Info	Notes Remarques
1	1	472 9913-72	Door locking device	Serrure de porte	1,2	CONVERSION KIT
2	1		Lock plate	Case de serrure		
3	1		Catch	Dispositif blocage		
4	1	471 9679-01	Microswitch	Microrupteur	1,2	
5	1		Actuator	Actuator		
6	2		Screw	Vis		M5X16
7	1	432 1960-01	Cover	Couvercle	3	
8	1		Plate	Cloison		
9	2		Locking nut	Contre-écrou		M5
10	1	438 9561-01	Door locking device	Serrure de porte	1,2	Complete
11	3	471 8342-47	Screw	Vis	3	M6X25
12	1	432 2905-02	Cable set	Jeu de câbles	3	



Issue	Month	Year
03	01	04

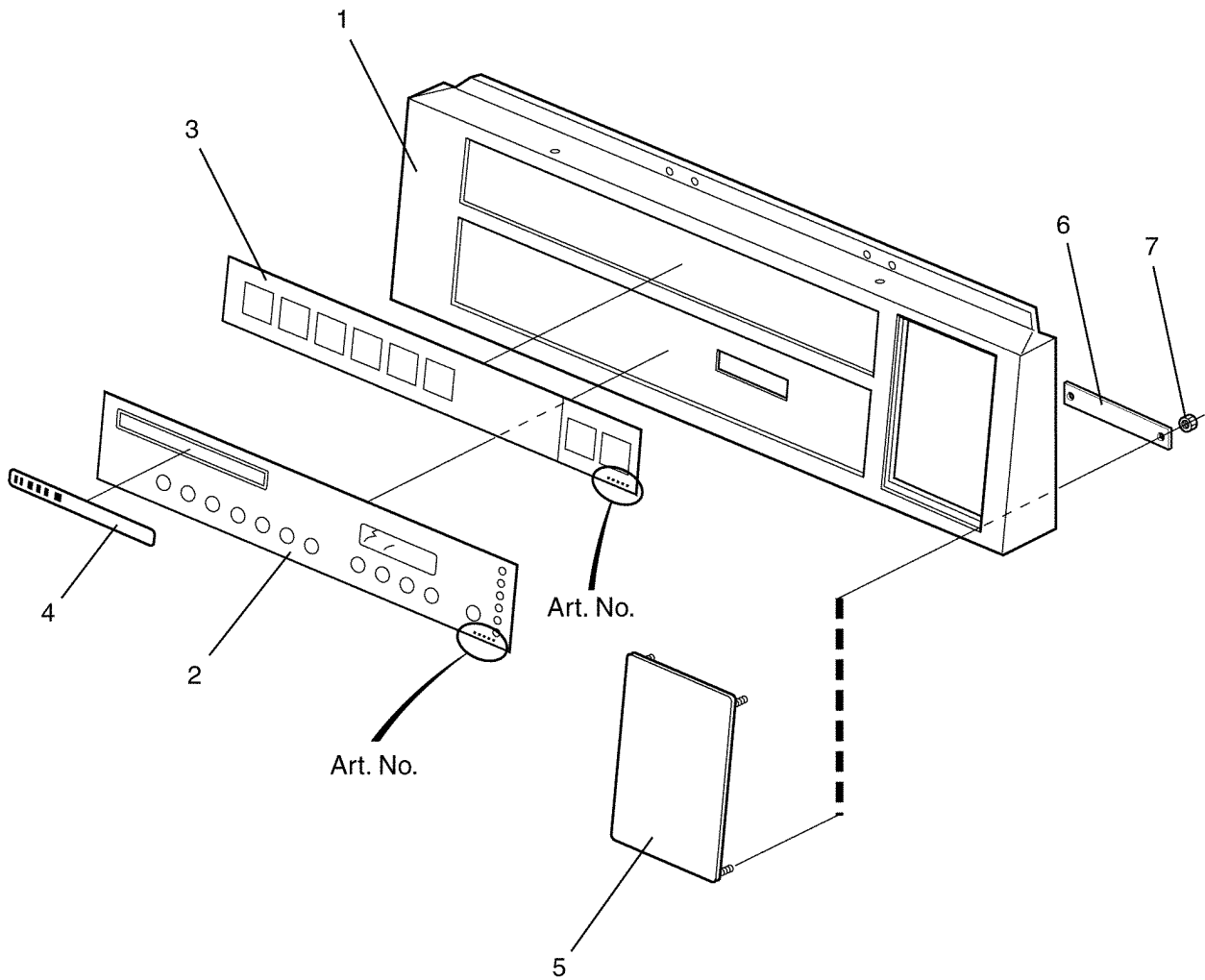
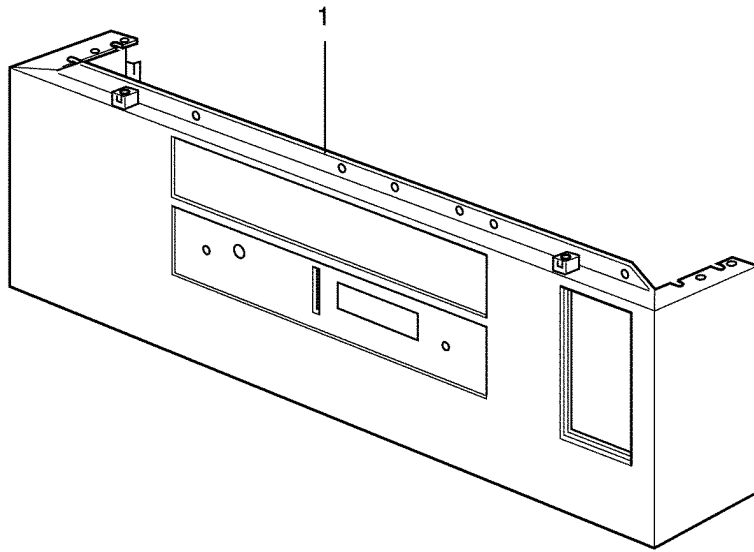
EX670c,EX670s,FAS3300H,W3300H

Motor

Moteur

Illustration Issue Month Year
Schéma Issue Month Year
102194/1 5 7 2008

Item Article	Qua. Qua.	Art.No Réf. article	Description	Description	Info Info	Notes Remarques
1	1	438 9705-21	Motor	Moteur	1,2	Complete
2	1		•Pulley	•Poulie	3	
3	2	438 8158-02	•Rubber bushing	•Douille caoutchouc	3	
4	2		•Pipe	•Tube	3	
5	1	471 8826-01	•Tacho sensor	•Tacho sensor	1	
5A	1	432 1229-01	•Cover	•Couvercle	1	
6	1	471 8827-01	•Magnet	•Aimant	3	
7	2	471 8356-06	Screw	Vis	3	M12x260
8	4	734 1178-01	Washer	Rondelle	3	BRB 13X24
9	2	732 2122-01	Locking nut	Contre-écrou	3	M12
10	1	471 7705-03	Ribbed belt	Courroie poly V	1,2	
11	1	432 2982-02	Cable set	Jeu de câbles	3	Main switch
	1	432 2982-01	Cable set	Jeu de câbles	3	Terminal block
12	1	432 2991-01	Cable set	Jeu de câbles	3	
13	1	438 9799-02	Clamp	Attache	3	
14	1	438 9799-03	Cover	Couvercle	3	
15	1	432 1454-01	Belt tensioner	Tendeur de courroie	3	
16	1	432 1455-01	Washer	Rondelle	3	
17	2	471 8342-23	Screw	Vis	3	MRT-TT 5X10
18	1	471 8322-03	Screw	Vis	3	M8X50
19	1	732 2118-01	Locking nut	Contre-écrou	3	M8
20	1	432 1473-01	Drip guard	Lèche-goutte	3	
21	1	432 3082-70	Cable set	Jeu de câbles	3	X95 -795/4624
	1	432 3092-70	Cable set	Jeu de câbles	3	795/4625-
22	3	471 8342-13	Screw	Vis	3	MRT-TT 4X10



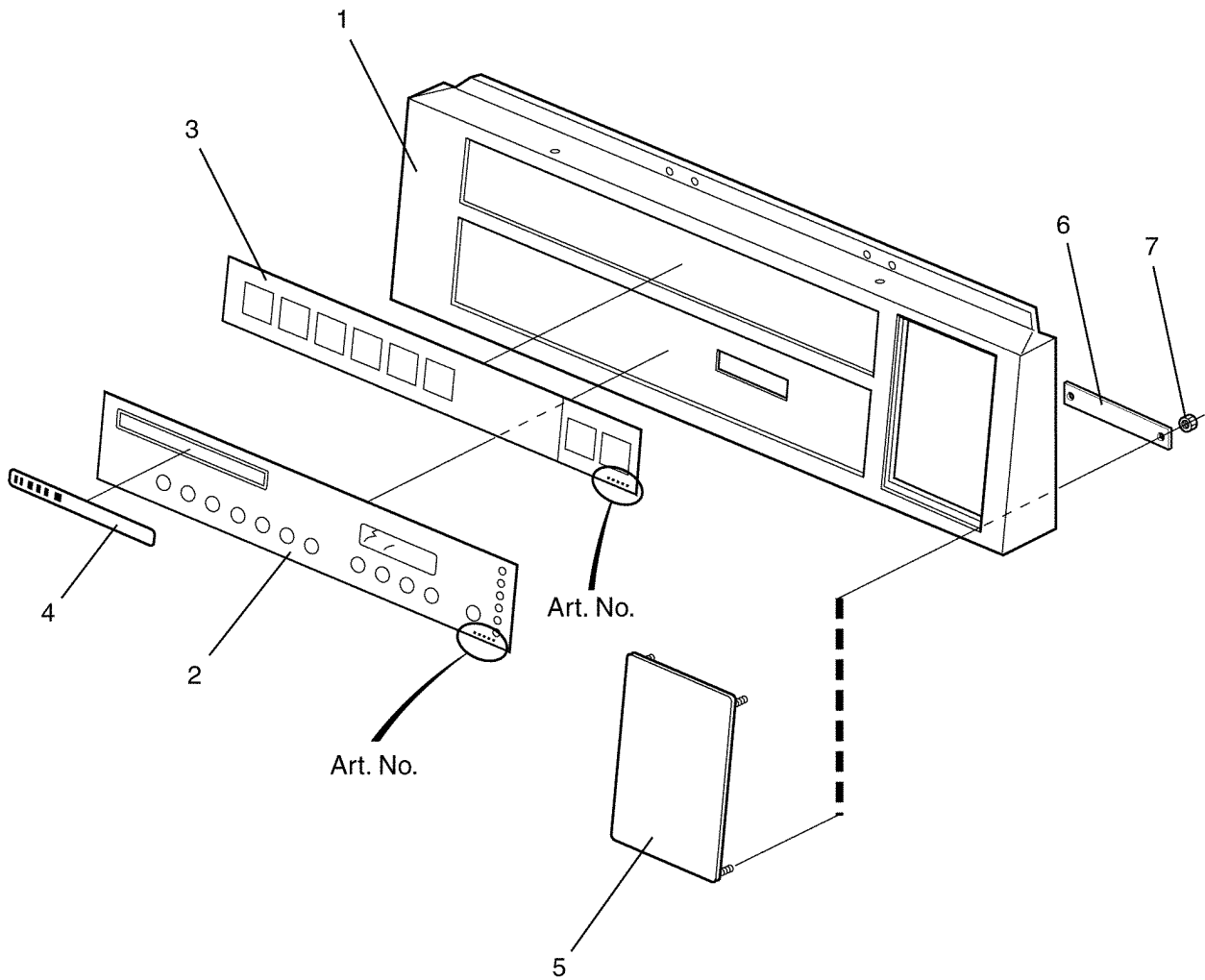
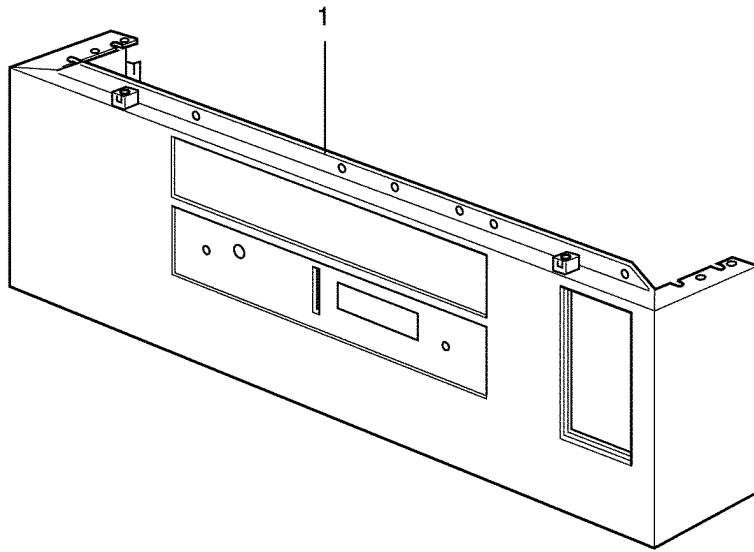
EX670c,EX670s,FAS3300H,W3300H

Control panel Exacta

Pupitre de commande Exacta

Illustration Issue Month Year
Schéma Issue Month Year
101769/3 5 5 2004

Item Article	Qua. Qua.	Art.No Réf. article	Description	Description	Info Info	Notes Remarques
1	1	432 2019-01	Front panel	Panneau avant	3	
2	1	432 2720-01	Panel sign	Voyant du tableau	1	Program 2A01, 2G41
	1	432 2720-02	Panel sign	Voyant du tableau	1	Program 2H11
	1	432 2720-03	Panel sign	Voyant du tableau	1	Program 2H12
	1	432 2720-17	Panel sign	Voyant du tableau	1	Program 2G01
	1	432 2720-04	Panel sign	Voyant du tableau	1	Program 2W01, 2H01, 2H02, 2M11, 2F01, 2F02
	1	432 2720-11	Panel sign	Voyant du tableau	1	Program 2L31
	1	432 2720-06	Panel sign	Voyant du tableau	1	Program 2L01, 2L02
	1	432 2720-05	Panel sign	Voyant du tableau	1	Program 2L41
	1	432 2720-08	Panel sign	Voyant du tableau	1	Program 2M01
	1	432 2720-09	Panel sign	Voyant du tableau	1	Program 2H21
	1	432 2720-10	Panel sign	Voyant du tableau	1	Program 2L11, 2L12
	1	432 2720-12	Panel sign	Voyant du tableau	1	Program 2R01
	1	432 2720-13	Panel sign	Voyant du tableau	1	Program 2A11
	1	432 2720-18	Panel sign	Voyant du tableau	1	Program 2C01
3	1	432 2649-03	Instruction plate	Plaque instruction utilisation	3	Program 2G41 Japanese
	1	432 2649-04	Instruction plate	Plaque instruction utilisation	3	Program 2W41 Japanese
	1	432 2649-05	Instruction plate	Plaque instruction utilisation	3	Program 2L41 Japanese
	1	432 2649-06	Instruction plate	Plaque instruction utilisation	3	Program 2L51 Japanese
	1	432 2649-07	Instruction plate	Plaque instruction utilisation	3	Program 2H42 Japanese
	1	432 2649-20	Instruction plate	Plaque instruction utilisation	3	Program 2A01 English
	1	432 2649-21	Instruction plate	Plaque instruction utilisation	3	Program 2M01 French
	1	432 2649-22	Instruction plate	Plaque instruction utilisation	3	Program 2M11, Mop Danish
	1	432 2649-23	Instruction plate	Plaque instruction utilisation	3	Program 2H12 Swedish
	1	432 2649-24	Instruction plate	Plaque instruction utilisation	3	Program 2M12 Swedish
	1	432 2649-25	Instruction plate	Plaque instruction utilisation	3	Program 2C01 Spanish
	1	432 2649-26	Instruction plate	Plaque instruction utilisation	3	Program 2A01 Danish
	1	432 2649-27	Instruction plate	Plaque instruction utilisation	3	Program 2A01 Swedish
	1	432 2649-28	Instruction plate	Plaque instruction utilisation	3	Program 2L01 English
	1	432 2650-02	Instruction plate	Plaque instruction utilisation	3	Program 2A01 Danish
	1	432 2650-03	Instruction plate	Plaque instruction utilisation	3	Program 2H11 Swedish
	1	432 2650-04	Instruction plate	Plaque instruction utilisation	3	Program 2W01, Aqua Clean Swedish
	1	432 2650-05	Instruction plate	Plaque instruction utilisation	3	Program 2L41 Japanese
	1	432 2650-06	Instruction plate	Plaque instruction utilisation	3	Program 2S01, Selecta USA
	1	432 2650-07	Instruction plate	Plaque instruction utilisation	3	Program 2G01 English
	1	432 2650-08	Instruction plate	Plaque instruction utilisation	3	Program 2G01 German
	1	432 2650-09	Instruction plate	Plaque instruction utilisation	3	Program 2G01 French
	1	432 2650-10	Instruction plate	Plaque instruction utilisation	3	Program 2G01 Swedish
	1	432 2650-11	Instruction plate	Plaque instruction utilisation	3	Program 2L31, Emerald USA
	1	432 2650-12	Instruction plate	Plaque instruction utilisation	3	Program 2L01 English
	1	432 2650-13	Instruction plate	Plaque instruction utilisation	3	Program 2M01, Mop English
	1	432 2650-14	Instruction plate	Plaque instruction utilisation	3	Program 2W01, Aqua Clean English
	1	432 2650-16	Instruction plate	Plaque instruction utilisation	3	Program 2H21, Hygienic Danish
	1	432 2650-17	Instruction plate	Plaque instruction utilisation	3	Program 2L11, Thermoboost German
	1	432 2650-18	Instruction plate	Plaque instruction utilisation	3	Program 2L12, Laundrette German
	1	432 2650-19	Instruction plate	Plaque instruction utilisation	3	Program 2H02, Selecta Danish
	1	432 2650-20	Instruction plate	Plaque instruction utilisation	3	Program 2H01, Hospital English
	1	432 2650-24	Instruction plate	Plaque instruction utilisation	3	Program 2A01, W3240 Swedish
	1	432 2650-25	Instruction plate	Plaque instruction utilisation	3	Program 2M11, Mop Swedish
	1	432 2650-26	Instruction plate	Plaque instruction utilisation	3	Program 2F01, Farm Swedish
	1	432 2650-27	Instruction plate	Plaque instruction utilisation	3	Program 2R01, QSR Swedish



Issue	Month	Year
03	09	03

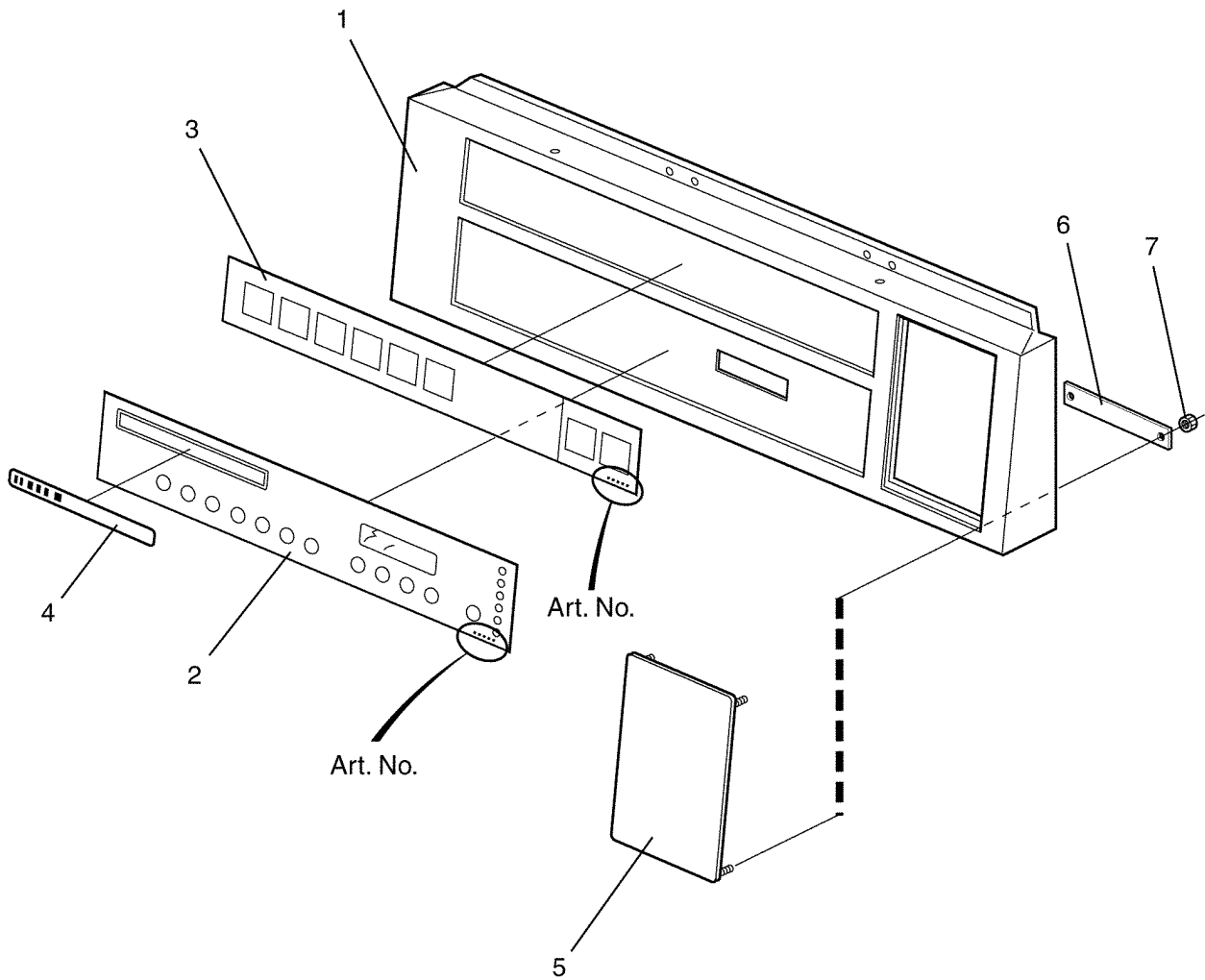
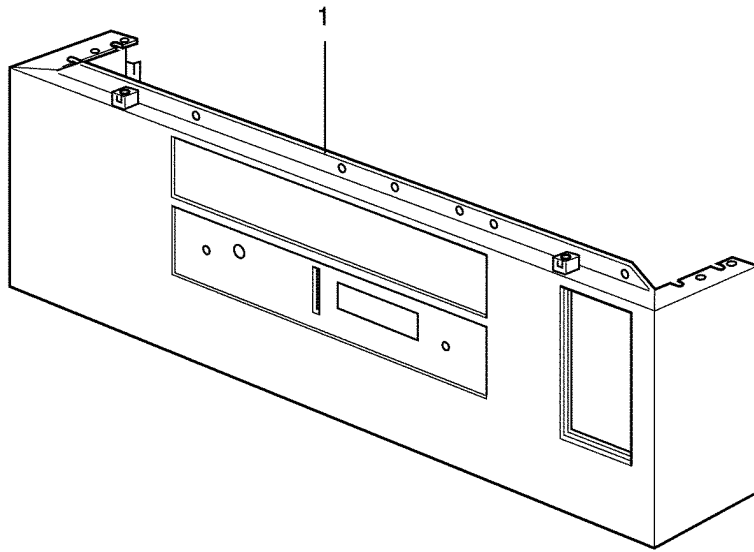
EX670c,EX670s,FAS3300H,W3300H

Control panel Exacta

Pupitre de commande Exacta

Illustration	Issue	Month	Year
Schéma	Issue	Month	Year
101769/3	5	5	2004

Item Article	Qua. Qua.	Art.No Réf. article	Description	Description	Info Info	Notes Remarques
	1	432 2650-28	Instruction plate	Plaque instruction utilisation	3	Program 2F01, Farm English
	1	432 2650-29	Instruction plate	Plaque instruction utilisation	3	Program 2R01, QSR English
	1	432 2650-30	Instruction plate	Plaque instruction utilisation	3	Program 2F01, Farm German
	1	432 2650-31	Instruction plate	Plaque instruction utilisation	3	Program 2F02, Westfalla German
	1	432 2650-32	Instruction plate	Plaque instruction utilisation	3	Program 2L01 German
	1	432 2650-33	Instruction plate	Plaque instruction utilisation	3	Program 2M01, Mop German
	1	432 2650-34	Instruction plate	Plaque instruction utilisation	3	Program 2R01, QSR German
	1	432 2650-35	Instruction plate	Plaque instruction utilisation	3	Program 2W01, Aqua Clean German
	1	432 2650-36	Instruction plate	Plaque instruction utilisation	3	Program 2H21, Hygienic, Nyborg English
	1	432 2650-37	Instruction plate	Plaque instruction utilisation	3	Program 2L12, Nyborg English
	1	432 2650-38	Instruction plate	Plaque instruction utilisation	3	Program 2F01, Farm French
	1	432 2650-39	Instruction plate	Plaque instruction utilisation	3	Program 2L01 French
	1	432 2650-40	Instruction plate	Plaque instruction utilisation	3	Program 2L02, Mench French
	1	432 2650-41	Instruction plate	Plaque instruction utilisation	3	Program 2R01, QSR French
	1	432 2650-42	Instruction plate	Plaque instruction utilisation	3	Program 2W01, Aqua Clean French
	1	432 2650-43	Instruction plate	Plaque instruction utilisation	3	Program 2L12 French
	1	432 2650-44	Instruction plate	Plaque instruction utilisation	3	Program 2F01, Farm Italian
	1	432 2650-45	Instruction plate	Plaque instruction utilisation	3	Program 2G01 Italian
	1	432 2650-46	Instruction plate	Plaque instruction utilisation	3	Program 2R01, QSR Italian
	1	432 2651-51	Instruction plate	Plaque instruction utilisation	3	Program 2L01 Italian Zanussi
	1	432 2650-47	Instruction plate	Plaque instruction utilisation	3	Program 2L12 Italian
	1	432 2650-48	Instruction plate	Plaque instruction utilisation	3	Program 2W01, Aqua Clean Italian
	1	432 2650-49	Instruction plate	Plaque instruction utilisation	3	Program 2F01, Farm Spanish
	1	432 2650-50	Instruction plate	Plaque instruction utilisation	3	Program 2G01 Spanish
	1	432 2650-51	Instruction plate	Plaque instruction utilisation	3	Program 2L01 Spanish
	1	432 2650-52	Instruction plate	Plaque instruction utilisation	3	Program 2R01, QSR Spanish
	1	432 2650-53	Instruction plate	Plaque instruction utilisation	3	Program 2W01, Aqua Clean Spanish
	1	432 2650-54	Instruction plate	Plaque instruction utilisation	3	Program 2L12 Spanish
	1	432 2650-55	Instruction plate	Plaque instruction utilisation	3	Program 2F01, Farm Dutch
	1	432 2650-56	Instruction plate	Plaque instruction utilisation	3	Program 2G01 Dutch
	1	432 2650-57	Instruction plate	Plaque instruction utilisation	3	Program 2L01 Dutch
	1	432 2650-58	Instruction plate	Plaque instruction utilisation	3	Program 2L02, Mench Dutch
	1	432 2650-59	Instruction plate	Plaque instruction utilisation	3	Program 2R01, QSR Dutch
	1	432 2650-60	Instruction plate	Plaque instruction utilisation	3	Program 2W01, Aqua Clean Dutch
	1	432 2650-61	Instruction plate	Plaque instruction utilisation	3	Program 2L12, Nyborg Dutch
	1	432 2650-62	Instruction plate	Plaque instruction utilisation	3	Program 2F01, Farm Danish
	1	432 2650-63	Instruction plate	Plaque instruction utilisation	3	Program 2G01 Danish
	1	432 2650-64	Instruction plate	Plaque instruction utilisation	3	Program 2L01 Danish
	1	432 2650-65	Instruction plate	Plaque instruction utilisation	3	Program 2R01, QSR Danish
	1	432 2650-66	Instruction plate	Plaque instruction utilisation	3	Program 2W01, Aqua Clean Danish
	1	432 2650-67	Instruction plate	Plaque instruction utilisation	3	Program 2A01 Finnish
	1	432 2650-68	Instruction plate	Plaque instruction utilisation	3	Program 2F01, Farm Finnish
	1	432 2650-69	Instruction plate	Plaque instruction utilisation	3	Program 2G01 Finnish
	1	432 2650-70	Instruction plate	Plaque instruction utilisation	3	Program 2L01 Finnish
	1	432 2650-71	Instruction plate	Plaque instruction utilisation	3	Program 2M11, Mop Finnish
	1	432 2650-72	Instruction plate	Plaque instruction utilisation	3	Program R01 Finnish
	1	432 2650-73	Instruction plate	Plaque instruction utilisation	3	Program 2W01, Aqua Clean Finnish
	1	432 2650-74	Instruction plate	Plaque instruction utilisation	3	Program 2A01 Norwegian
	1	432 2650-75	Instruction plate	Plaque instruction utilisation	3	Program 2F01, Farm Norwegian



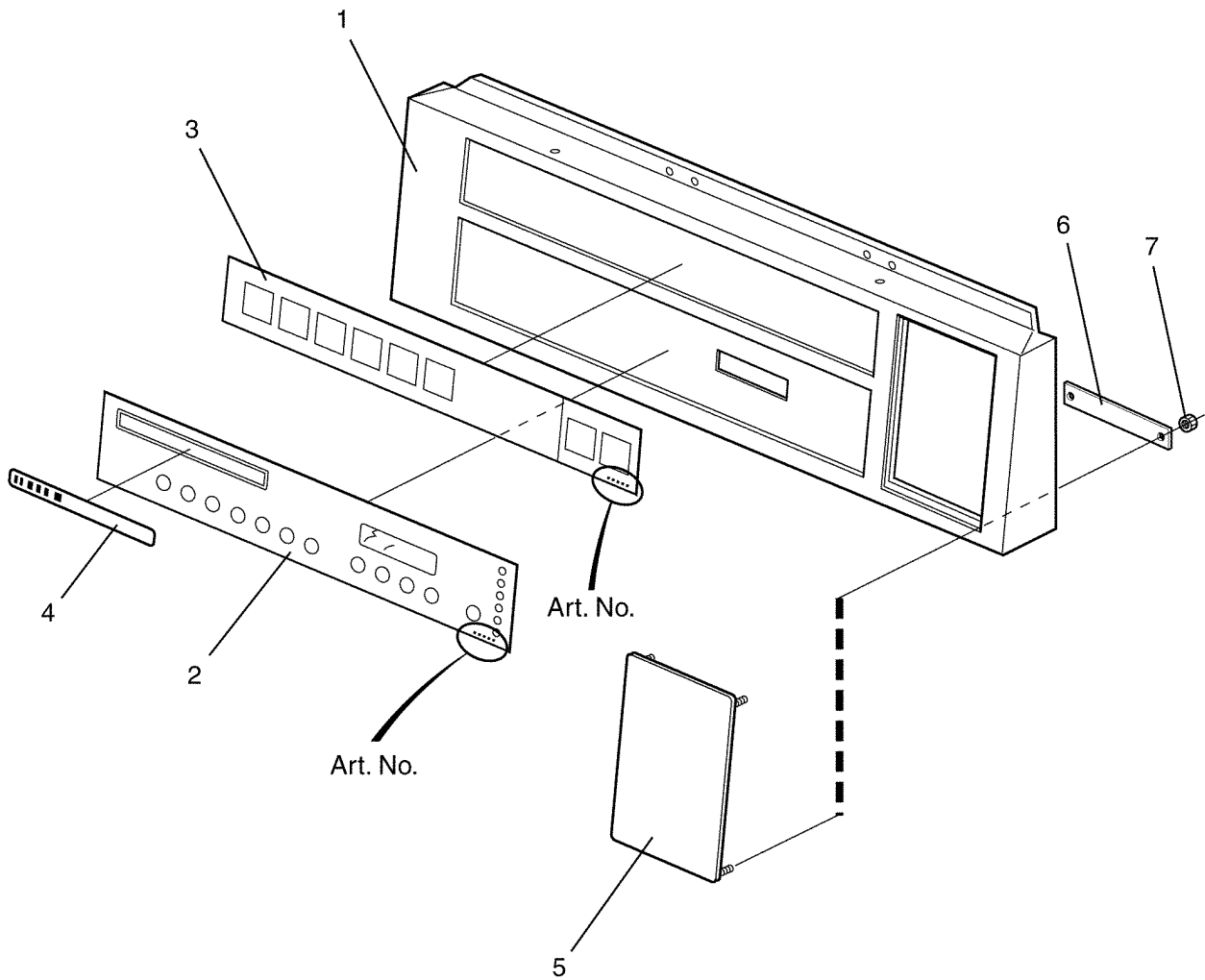
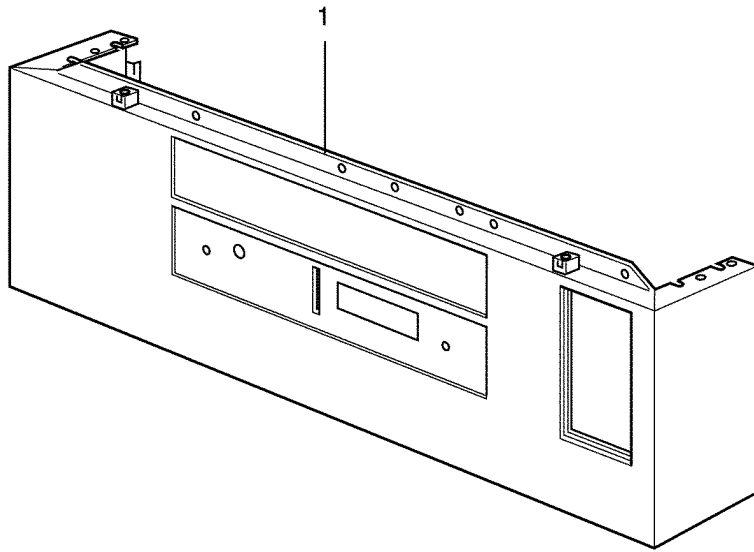
EX670c,EX670s,FAS3300H,W3300H

Control panel Exacta

Pupitre de commande Exacta

Illustration Issue Month Year
Schéma Issue Month Year
101769/3 5 5 2004

Item Article	Qua. Qua.	Art.No Réf. article	Description	Description	Info Info	Notes Remarques
	1	432 2650-76	Instruction plate	Plaque instruction utilisation	3	Program 2G01 Norwegian
	1	432 2650-77	Instruction plate	Plaque instruction utilisation	3	Program 2L01 Norwegian
	1	432 2650-78	Instruction plate	Plaque instruction utilisation	3	Program 2M11, Mop Norwegian
	1	432 2650-79	Instruction plate	Plaque instruction utilisation	3	Program 2R01, QSR Norwegian
	1	432 2650-80	Instruction plate	Plaque instruction utilisation	3	Program 2W01, Aqua Clean Norwegian
	1	432 2650-81	Instruction plate	Plaque instruction utilisation	3	Program 2L12, Nyborg Norwegian
	1	432 2650-82	Instruction plate	Plaque instruction utilisation	3	Program 2F01 Polish
	1	432 2650-83	Instruction plate	Plaque instruction utilisation	3	Program 2G01 Polish
	1	432 2650-84	Instruction plate	Plaque instruction utilisation	3	Program 2L01 Polish
	1	432 2650-85	Instruction plate	Plaque instruction utilisation	3	Program 2R01, QSR Polish
	1	432 2650-86	Instruction plate	Plaque instruction utilisation	3	Program 2W01, Aqua Clean Polish
	1	432 2650-87	Instruction plate	Plaque instruction utilisation	3	Program 2L12, Nyborg Polish
	1	432 2650-88	Instruction plate	Plaque instruction utilisation	3	Program 2L31, Emerald Spanish
	1	432 2650-89	Instruction plate	Plaque instruction utilisation	3	Program 2S01, Selecta Spanish
	1	432 2650-90	Instruction plate	Plaque instruction utilisation	3	Program 2L31, Emerald French
	1	432 2650-91	Instruction plate	Plaque instruction utilisation	3	Program 2S01, Selecta French
	1	432 2650-92	Instruction plate	Plaque instruction utilisation	3	Program 2L01 Italian, English
	1	432 2650-93	Instruction plate	Plaque instruction utilisation	3	Program 2A11 Mats/heavy laundry, Swedish
	1	432 2650-94	Instruction plate	Plaque instruction utilisation	3	Program 2A11 Mats/heavy laundry, Danish
	1	432 2650-95	Instruction plate	Plaque instruction utilisation	3	Program 2A11 Mats/heavy laundry, Norwegian
	1	432 2650-96	Instruction plate	Plaque instruction utilisation	3	Program 2A11 Mats/heavy laundry, Finnish
	1	432 2650-97	Instruction plate	Plaque instruction utilisation	3	Program 2F02, Westfalla Swedish
	1	432 2650-98	Instruction plate	Plaque instruction utilisation	3	Program 2H11 Finnish/Swedish
	1	432 2652-06	Instruction plate	Plaque instruction utilisation	3	Program 2G01 Swedish
	1	432 2652-07	Instruction plate	Plaque instruction utilisation	3	Program 2G01 English
	1	432 2652-08	Instruction plate	Plaque instruction utilisation	3	Program 2L01 English
	1	432 2652-09	Instruction plate	Plaque instruction utilisation	3	Program 2G01 German
	1	432 2652-10	Instruction plate	Plaque instruction utilisation	3	Program 2L01 German
	1	432 2652-11	Instruction plate	Plaque instruction utilisation	3	Program 2L12 German
	1	432 2652-12	Instruction plate	Plaque instruction utilisation	3	Program 2G01 French
	1	432 2652-13	Instruction plate	Plaque instruction utilisation	3	Program 2L01 French
	1	432 2652-14	Instruction plate	Plaque instruction utilisation	3	Program 2L12 French
	1	432 2652-15	Instruction plate	Plaque instruction utilisation	3	Program 2G01 Italian
	1	432 2652-16	Instruction plate	Plaque instruction utilisation	3	Program 2L12 Italian
	1	432 2652-17	Instruction plate	Plaque instruction utilisation	3	Program 2G01 Spanish
	1	432 2652-18	Instruction plate	Plaque instruction utilisation	3	Program 2L01 Spanish
	1	432 2652-19	Instruction plate	Plaque instruction utilisation	3	Program 2L12 Spanish
	1	432 2652-20	Instruction plate	Plaque instruction utilisation	3	Program 2G01 Dutch
	1	432 2652-21	Instruction plate	Plaque instruction utilisation	3	Program 2L01 Dutch
	1	432 2652-22	Instruction plate	Plaque instruction utilisation	3	Program 2L12 Dutch
	1	432 2652-23	Instruction plate	Plaque instruction utilisation	3	Program 2A01 Danish
	1	432 2652-24	Instruction plate	Plaque instruction utilisation	3	Program 2G01 Danish
	1	432 2652-25	Instruction plate	Plaque instruction utilisation	3	Program 2L01 Danish
	1	432 2652-26	Instruction plate	Plaque instruction utilisation	3	Program 2H21 Danish
	1	432 2652-27	Instruction plate	Plaque instruction utilisation	3	Program 2A01 Finnish



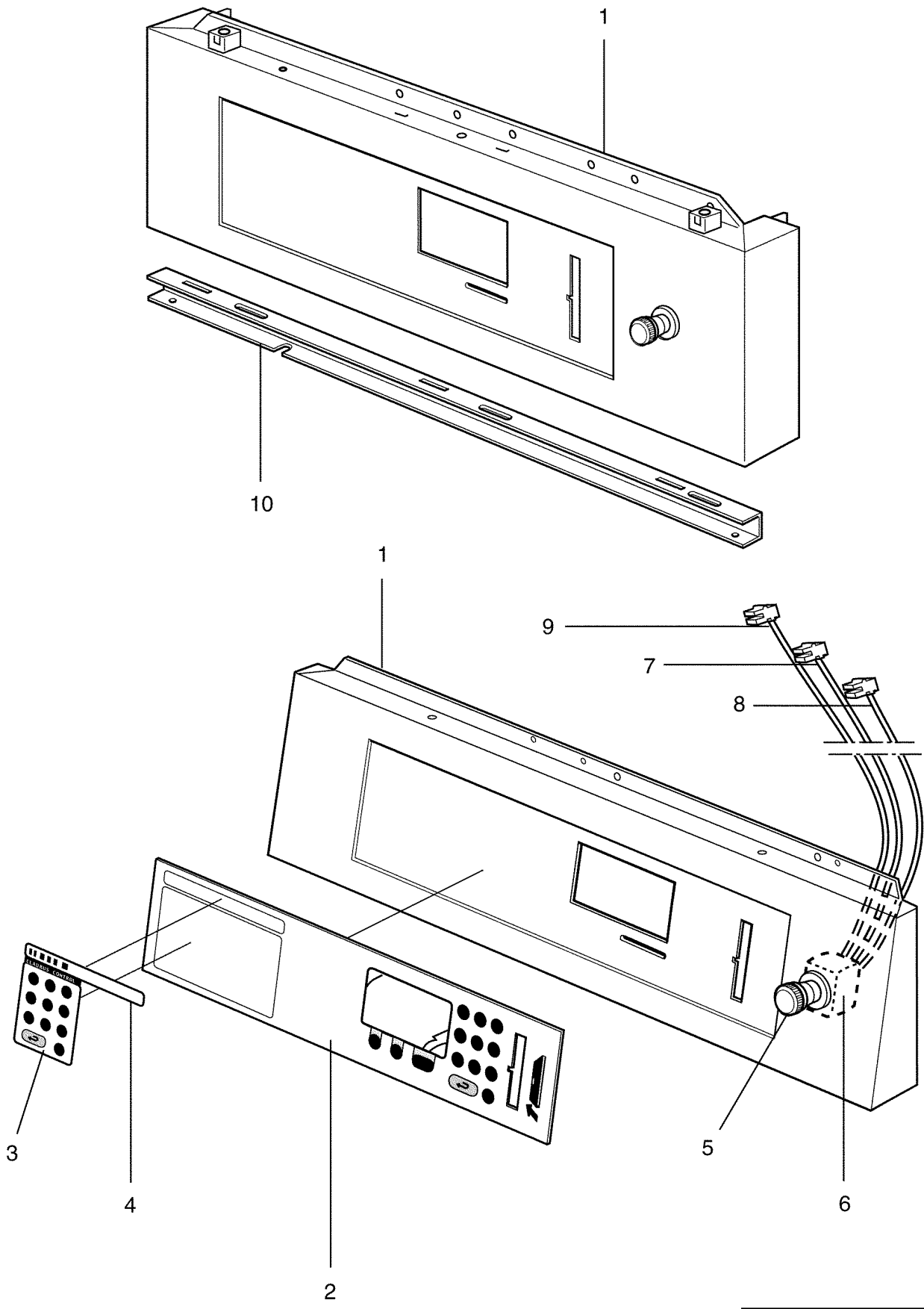
EX670c,EX670s,FAS3300H,W3300H

Control panel Exacta

Pupitre de commande Exacta

Illustration	Issue	Month	Year
Schéma	Issue	Month	Year
101769/3	5	5	2004

Item Article	Qua. Qua.	Art.No Réf. article	Description	Description	Info Info	Notes Remarques
	1	432 2652-28	Instruction plate	Plaque instruction utilisation	3	Program 2G01 Finnish
	1	432 2652-29	Instruction plate	Plaque instruction utilisation	3	Program 2L01 Finnish
	1	432 2652-30	Instruction plate	Plaque instruction utilisation	3	Program 2A01 Norwegian
	1	432 2652-31	Instruction plate	Plaque instruction utilisation	3	Program 2G01 Norwegian
	1	432 2652-32	Instruction plate	Plaque instruction utilisation	3	Program 2L01 Norwegian
	1	432 2652-33	Instruction plate	Plaque instruction utilisation	3	Program 2L12 Norwegian
	1	432 2652-34	Instruction plate	Plaque instruction utilisation	3	Program 2G01 Polish
	1	432 2652-35	Instruction plate	Plaque instruction utilisation	3	Program 2L01 Polish
	1	432 2652-36	Instruction plate	Plaque instruction utilisation	3	Program 2L12 Polish
	1	432 2652-37	Instruction plate	Plaque instruction utilisation	3	Program 2L01 Italian
	1	432 2652-38	Instruction plate	Plaque instruction utilisation	3	Program 2L11 German
	1	432 2652-39	Instruction plate	Plaque instruction utilisation	3	Program 2A01 Danish
	1	432 2652-40	Instruction plate	Plaque instruction utilisation	3	Program 2A01 Swedish
	1	432 2652-41	Instruction plate	Plaque instruction utilisation	3	Program 2L01 English
4	1	432 2609-01	Type plate	Numéro série plaque	3	W3300H
	1	432 2609-70	Type plate	Numéro série plaque	3	FAS3300H
	1	432 2609-51	Type plate	Numéro série plaque	3	EX670s
5	1	432 2150-01	Cover plate	Couvercle	3	
6	2	432 2181-01	Bracket	Support de montage	3	
7	4	732 2112-01	Locking nut	Contre-écrou	3	M4



Issue	Month	Year
02	09	03

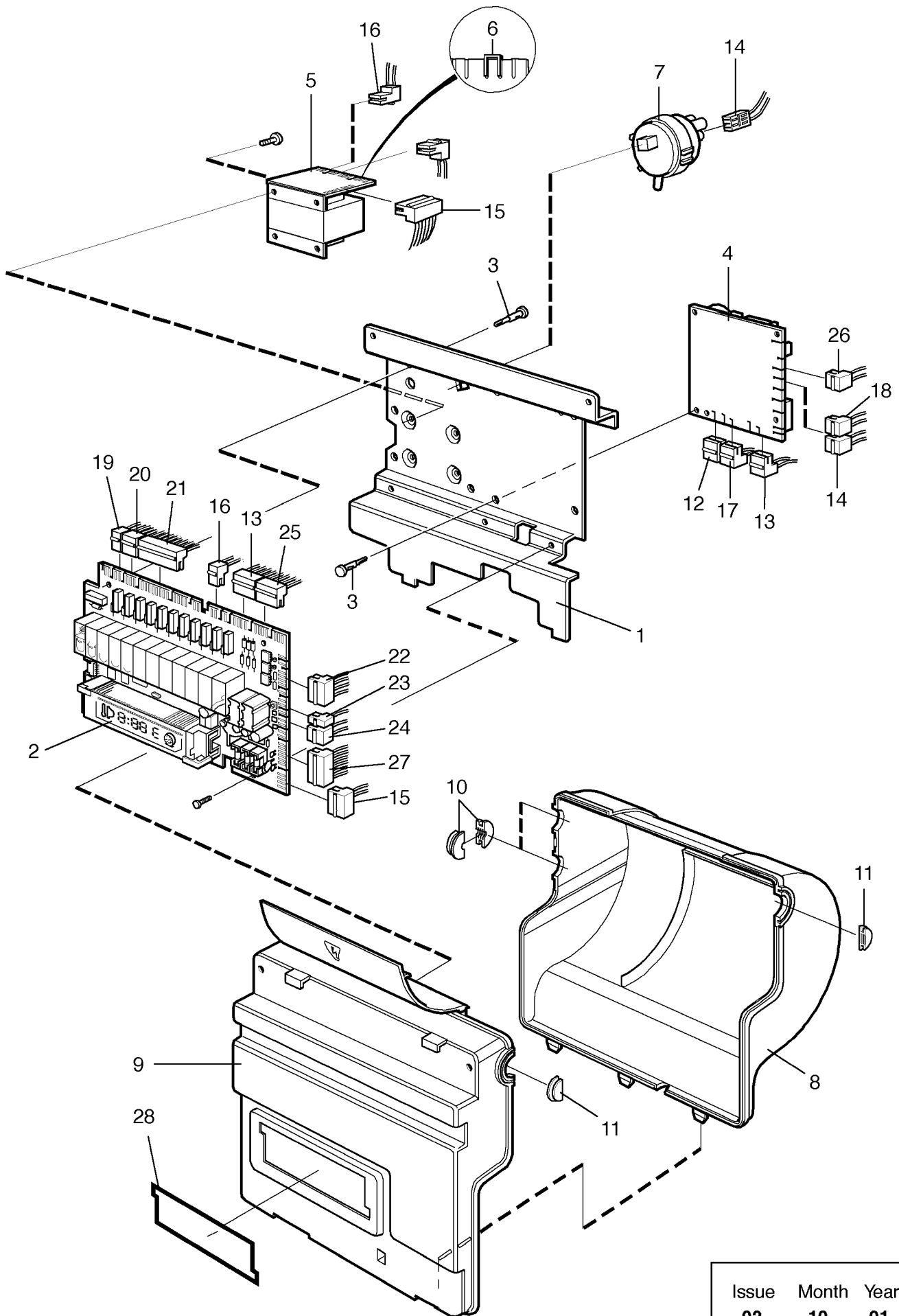
EX670c,EX670s,FAS3300H,W3300H

Control panel Clarus

Pupitre de commande Clarus

Illustration Issue Month Year
Schéma Issue Month Year
101770/2 6 3 2005

Item Article	Qua. Qua.	Art.No Réf. article	Description	Description	Info Info	Notes Remarques
1	1	432 2027-01	Front panel	Panneau avant	3	
2	1	432 2750-01	Control panel	Pupitre de commande	1,2	
3	1	432 2630-01	Instruction plate	Plaque instruction utilisation	3	Swedish
	1	432 2630-02	Instruction plate	Plaque instruction utilisation	3	English, Italian
	1	432 2630-03	Instruction plate	Plaque instruction utilisation	3	Japanese
	1	432 2630-04	Instruction plate	Plaque instruction utilisation	3	German
	1	432 2630-02	Instruction plate	Plaque instruction utilisation	3	English, Italian
	1	432 2630-06	Instruction plate	Plaque instruction utilisation	3	Danish
	1	432 2630-02	Instruction plate	Plaque instruction utilisation	3	English, Italian
	1	432 2630-06	Instruction plate	Plaque instruction utilisation	3	Danish
	1	432 2630-09	Instruction plate	Plaque instruction utilisation	3	Spanish
	1	432 2630-10	Instruction plate	Plaque instruction utilisation	3	Polish
4	1	432 2609-01	Type plate	Numéro série plaque	3	W3300H
	1	432 2609-02	Type plate	Numéro série plaque	3	W3300H Woolmark
	1	432 2609-50	Type plate	Numéro série plaque		EX670c
5	1	471 9628-32	Emergency stop	Arrêt d'urgence	1,2	
6	1	471 9628-33	Contact block	Bloc de connexion	1,2	
7	1	432 3182-61	Cable set	Jeu de câbles	3	-795/4624
	1	432 3192-61	Cable set	Jeu de câbles	3	795/4625-
8	1	432 3182-72	Cable set	Jeu de câbles	3	-795/4624
	1	432 3192-72	Cable set	Jeu de câbles	3	795/4625-
9	1	432 3182-78	Cable set	Jeu de câbles	3	-795/4624
	1	432 3192-78	Cable set	Jeu de câbles	3	795/4625-



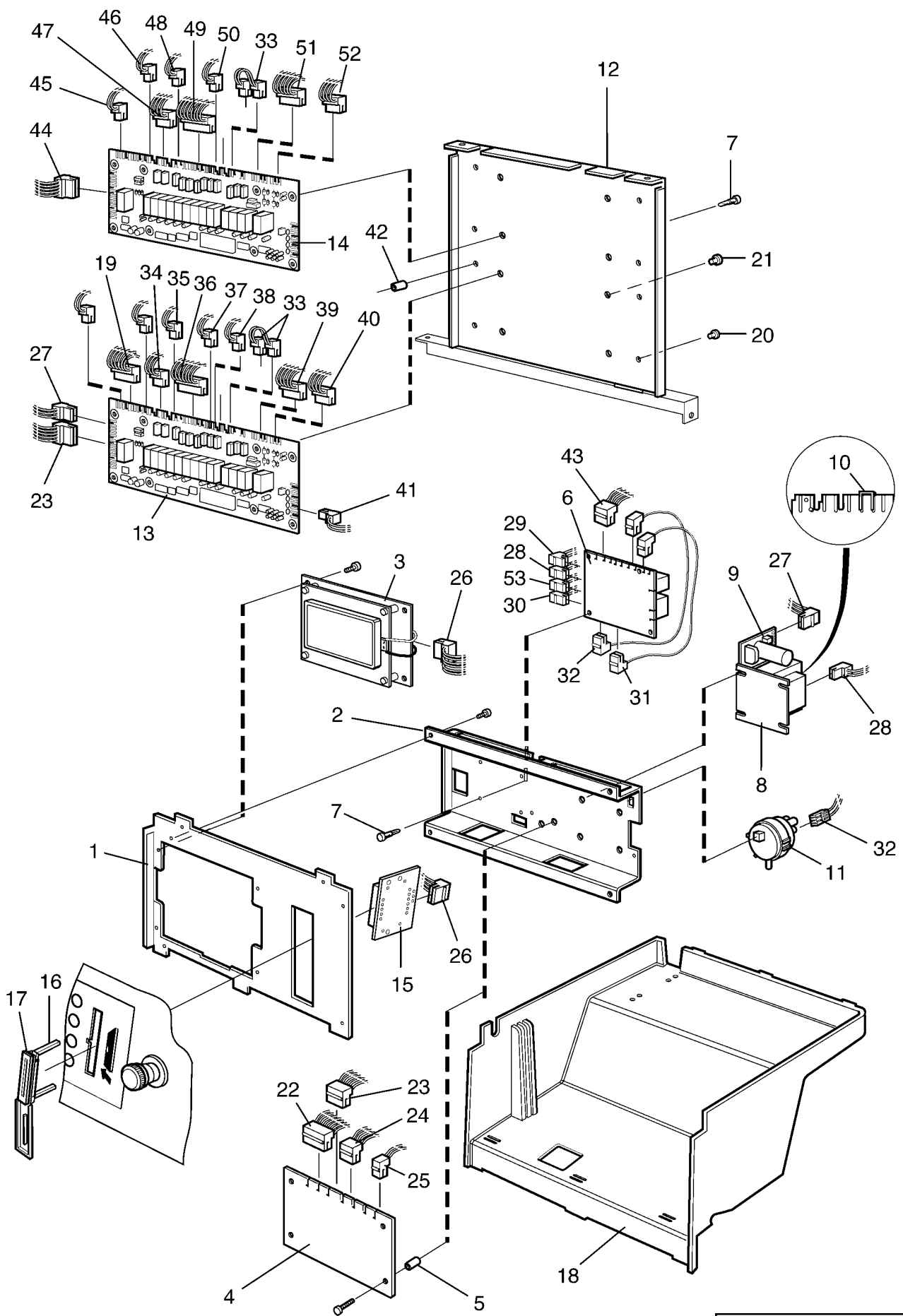
EX670c,EX670s,FAS3300H,W3300H

Electrical components Exacta

Composants électriques Exacta

Illustration Issue Month Year
Schéma Issue Month Year
101928/2 7 9 2004

Item Article	Qua. Qua.	Art.No Réf. article	Description	Description	Info Info	Notes Remarques
1	1	432 2167-01	Mounting plate	Plaque de montage	3	
2	1	471 8988-11	Printed circuit board	Circuit imprimé	1,2	
3	6	471 7958-02	Support	Support	3	
4	1	438 9555-11	Control unit	Organe de direction	1,2	230V
	1	438 9555-12	Control unit	Organe de direction	1,2	120V
	1	438 9564-01	Control unit	Organe de direction	1,2	230V
5	1	471 9558-12	Transformer	Transformateur	1	
6	1	472 9913-43	Clamp	Bride de fixation	3	Kit 25 pcs
7	1	471 8861-01	Level guard	Limiteur de niveau	1,2	
8	1	432 3910-01	Protective cover	Couvercle de protection	3	Rear
9	1	432 3909-01	Protective cover	Couvercle de protection	3	Front
10	4	432 3907-01	Grommet	Oeillet	3	
11	2	432 3908-01	Grommet	Oeillet	3	
12	1	432 3082-35	Cable set	Jeu de câbles	3	X90-X45 -795/4624
	1	432 3092-35	Cable set	Jeu de câbles	3	795/4625-
13	1	432 3082-58	Cable set	Jeu de câbles	3	X31-X92 -795/4624
	1	432 3092-58	Cable set	Jeu de câbles	3	
14	1	432 3182-94	Cable set	Jeu de câbles	3	X93 -795/4624
	1	432 3192-94	Cable set	Jeu de câbles	3	795/4625-
15	1	432 3087-05	Cable set	Jeu de câbles	3	X20-X172 -795/4624
	1	432 3097-05	Cable set	Jeu de câbles	3	795/4625-
16	1	432 3082-26	Cable set	Jeu de câbles	3	X33-X278 -795/4624
	1	432 3092-26	Cable set	Jeu de câbles	3	795/4625-
17	1	432 3082-42	Cable set	Jeu de câbles	3	X91-X178 -795/4624
	1	432 3092-42	Cable set	Jeu de câbles	3	795/4625-
18	1	432 3182-11	Cable set	Jeu de câbles	3	X94-X304 -795/4624
	1	432 3192-11	Cable set	Jeu de câbles	3	795/4625-
19	1	432 3082-36	Cable set	Jeu de câbles	3	X37-X302 -795/4624
	1	432 3092-36	Cable set	Jeu de câbles	3	795/4625-
20	1	432 3088-14	Cable set	Jeu de câbles	3	X36-X48 -795/4624
	1	432 3098-14	Cable set	Jeu de câbles	3	795/3536-
21	1	432 3087-16	Cable set	Jeu de câbles	3	X35-X43 -795/4624
	1	432 3097-16	Cable set	Jeu de câbles	3	
22	1	432 3084-03	Cable set	Jeu de câbles	3	X24-X301
23	1	432 3082-75	Cable set	Jeu de câbles	3	X23 -795/4624
	1	432 3092-75	Cable set	Jeu de câbles	3	795/4625-
24	1	432 3082-04	Cable set	Jeu de câbles	3	X22-X40 -795/4624
	1	432 3092-04	Cable set	Jeu de câbles	3	795/4625-
25	1	432 3086-89	Cable set	Jeu de câbles	3	X30 -795/4624
	1	432 3096-89	Cable set	Jeu de câbles	3	795/4625-
26	1	432 3082-99	Cable set	Jeu de câbles	3	X96 -795/4624
	1	432 3092-99	Cable set	Jeu de câbles	3	795/4625-
27	1	432 3086-10	Cable set	Jeu de câbles	3	X21 -795/4624
	1	432 3096-10	Cable set	Jeu de câbles	3	795/4625-
28						Not used



Issue	Month	Year
04	12	04

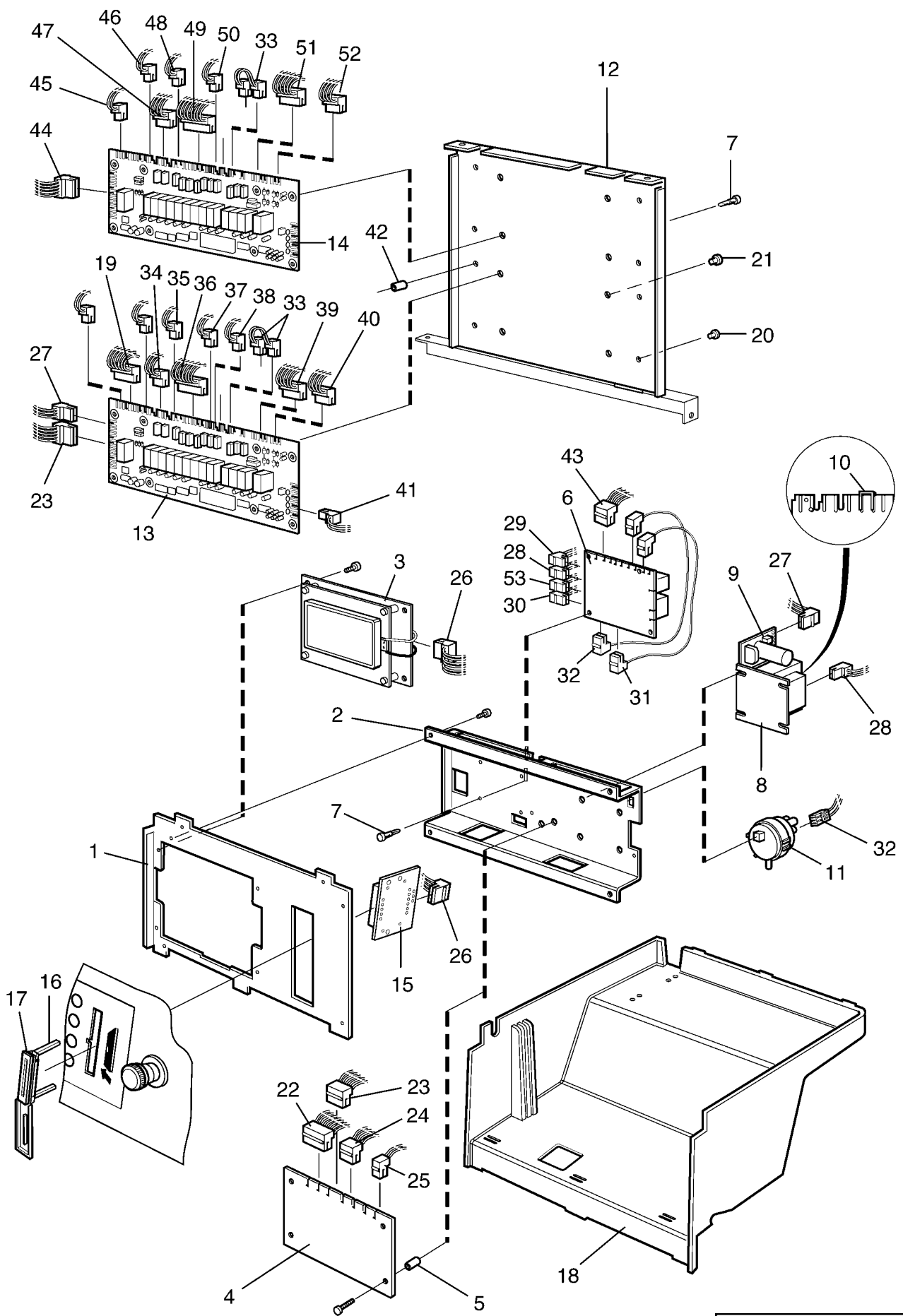
EX670c,EX670s,FAS3300H,W3300H

Electrical components Clarus

Composants électriques Clarus

Illustration Issue Month Year
Schéma Issue Month Year
101765/4 18 9 2007

Item Article	Qua. Qua.	Art.No Réf. article	Description	Description	Info Info	Notes Remarques
1	1	432 2159-01	Mounting plate	Plaque de montage	3	
2	1	432 2160-01	Mounting plate	Plaque de montage	3	
3	1	471 8997-03	Display	Affichage	1,2	
4	1	471 8993-01	Printed circuit board	Circuit imprimé	1,2	Not configured
	1	438 7126-02	Printed circuit board	Circuit imprimé	1,2	7G01, 1 I/O-card Swedish
	1	438 7126-05	Printed circuit board	Circuit imprimé	1,2	7G01, 1 I/O-card German
		438 7126-28	Printed circuit board	Circuit imprimé	1,2	7W05, 2 I/O-cards German
	1	438 7126-12	Printed circuit board	Circuit imprimé	1,2	7G01, 1 I/O-card Spanish
	1	438 7126-16	Printed circuit board	Circuit imprimé	1,2	7G01 HW 1 I/O-card Spanish
	1	438 7126-30	Printed circuit board	Circuit imprimé	1,2	7W01, 2 I/O-cards Spanish
	1	438 7126-11	Printed circuit board	Circuit imprimé	1,2	7W01 2 I/O-cards English
	1	438 7126-26	Printed circuit board	Circuit imprimé	1,2	7W01 2 I/O-cards Russian
	1	438 7126-06	Printed circuit board	Circuit imprimé	1,2	7G01, 1 I/O-card French
	1	438 7126-18	Printed circuit board	Circuit imprimé	1,2	7W01 2 I/O-cards French
	1	438 7126-27	Printed circuit board	Circuit imprimé	1,2	7W05 2 I/O-cards French
	1	438 7126-07	Printed circuit board	Circuit imprimé	1,2	7G01, 1 I/O-card Dutch
	1	438 7126-17	Printed circuit board	Circuit imprimé	1,2	7W01 2 I/O-cards Dutch
	1	438 7126-08	Printed circuit board	Circuit imprimé	1,2	7W01 1 I/O-card Norwegian
	1	438 7126-22	Printed circuit board	Circuit imprimé	1,2	7G01 1 I/O-card Norwegian
	1	438 7126-29	Printed circuit board	Circuit imprimé	1,2	7W01, 2 I/O-cards Danish
	1	438 7126-09	Printed circuit board	Circuit imprimé	1,2	7G01, 1 I/O-card Italian
	1	438 7126-14	Printed circuit board	Circuit imprimé	1,2	7W01 2 I/O-cards Italian
	1	438 7126-20	Printed circuit board	Circuit imprimé	1,2	7W05 2 I/O-cards Italian
	1	432 7126-19	Printed circuit board	Circuit imprimé	1,2	7G01, 1 I/O-card English
	1	438 7126-10	Printed circuit board	Circuit imprimé	1,2	7G02, 1 I/O-card English
	1	438 7126-15	Printed circuit board	Circuit imprimé	1,2	7G02, 1 I/O-card GB English
	1	438 7126-25	Printed circuit board	Circuit imprimé	1,2	7W02 2 I/O-cards GB English
	1	438 7126-03	Printed circuit board	Circuit imprimé	1,2	7G02 HW 1 I/O-card NON-HEATING,USA
	1	438 7126-13	Printed circuit board	Circuit imprimé	1,2	7W01 2 I/O-cards English
	1	438 7126-31	Printed circuit board	Circuit imprimé	1,2	7W05, 2 I/O-cards English
	1	438 7126-04	Printed circuit board	Circuit imprimé	1,2	7G03, 1 I/O-card Japanese
	1	438 7126-32	Printed circuit board	Circuit imprimé	1,2	7W01, 2 I/O-cards Finnish
5	4	438 0299-01	Spacer	Entretoise	3	
6	1	438 9564-01	Control unit	Organe de direction	1,2	230V
7	Rq	471 7958-02	Support	Support	3	
8	1	471 8792-01	Transformer	Transformateur	3	
9	1	471 8750-11	•Fuse	•Porte-fusible	1,2	1,25A
10	1	472 9913-43	Clamp	Bride de fixation	3	Kit 25 pcs
11	1	471 8861-01	Level guard	Limiteur de niveau	1,2	
12	1	432 2161-01	Cover	Couvercle	3	
13	1	471 8995-11	Printed circuit board	Circuit imprimé	1,2	I/O-card
14	1	471 8995-12	Printed circuit board	Circuit imprimé	1,2	I/O-card
15	1	471 8793-01	Card reader	Lecteur de carte	1	
16	1	432 0150-01	Bracket	Pièce de retenue	3	
17	1	432 0149-01	Rubber cap	Capuchon caoutchouc	3	
18	1	432 2162-02	Protective cover	Couvercle de protection	3	
19	1	432 3086-92	Cable set	Jeu de câbles	3	
	1	432 3096-92	Cable set	Jeu de câbles	3	
22	1	432 3087-92	Cable set	Jeu de câbles	3	
	1	432 3097-92	Cable set	Jeu de câbles	3	
23	1	432 3085-15	Cable set	Jeu de câbles	3	
	1	432 3095-15	Cable set	Jeu de câbles	3	
24	1	432 3084-41	Cable set	Jeu de câbles	3	A1X4-X301
	1	432 3094-41	Cable set	Jeu de câbles	3	
25	1	432 3082-78	Cable set	Jeu de câbles	3	A1X1-Temp. sensor
	1	432 3092-78	Cable set	Jeu de câbles	3	
26	1	432 2981-01	Cable set	Jeu de câbles	3	
27	1	432 3083-75	Cable set	Jeu de câbles	3	



Issue	Month	Year
04	12	04

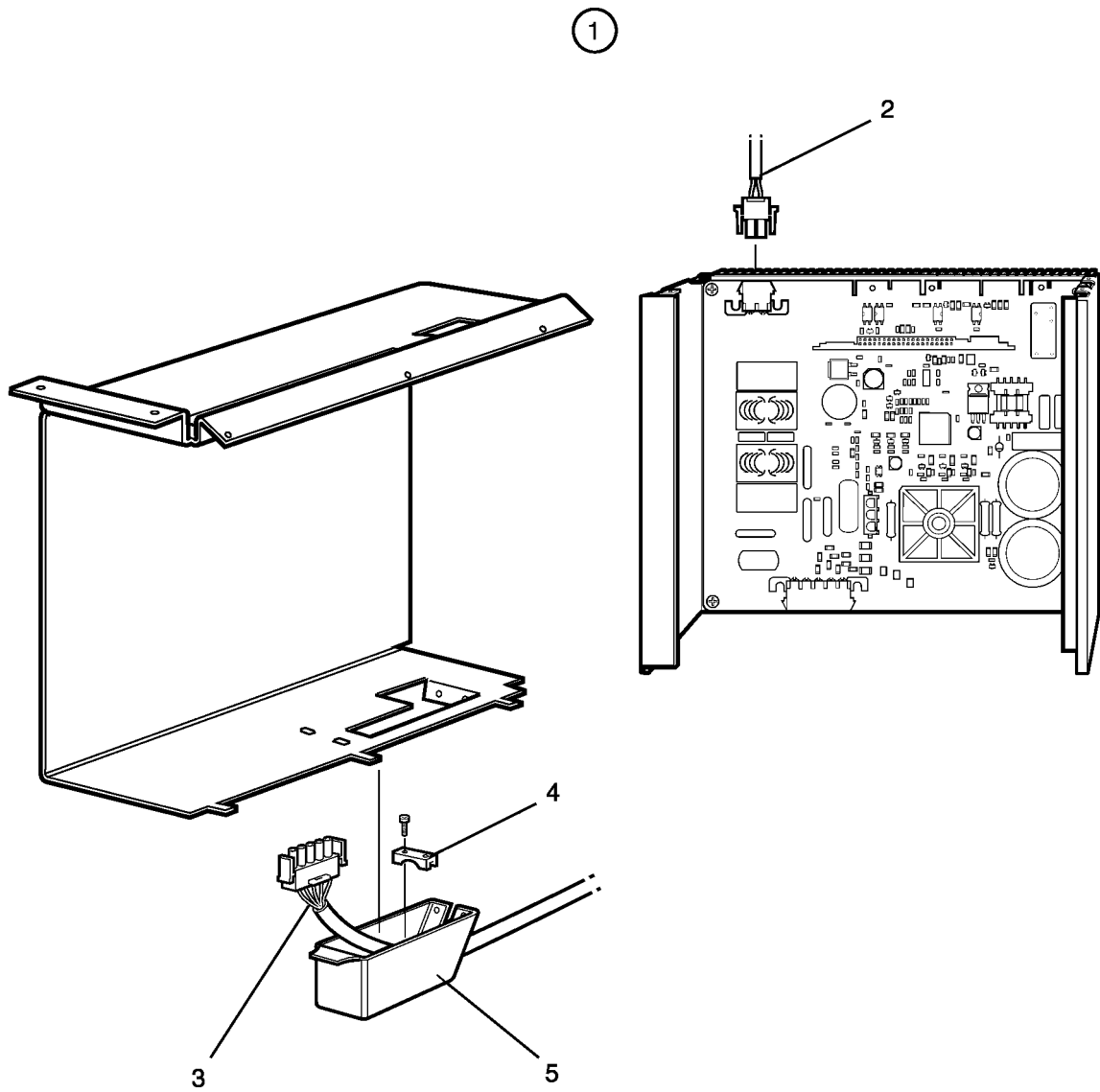
EX670c,EX670s,FAS3300H,W3300H

Electrical components Clarus

Composants électriques Clarus

Illustration Issue Month Year
Schéma Issue Month Year
101765/4 18 9 2007

Item Article	Qua. Qua.	Art.No Réf. article	Description	Description	Info Info	Notes Remarques
28	1	432 3093-75	Cable set	Jeu de câbles	3	
	1	432 3082-41	Cable set	Jeu de câbles	3	
	1	432 3092-41	Cable set	Jeu de câbles	3	
29	1	432 3082-59	Cable set	Jeu de câbles	3	
	1	432 3092-59	Cable set	Jeu de câbles	3	
30	1	432 3082-47	Cable set	Jeu de câbles	3	X90-X45 -795/4624
	1	432 3092-47	Cable set	Jeu de câbles	3	795/4625-
31	1	432 3083-20	Cable set	Jeu de câbles	3	X94-X304
	1	432 3093-20	Cable set	Jeu de câbles	3	
32	1	432 3182-94	Cable set	Jeu de câbles	3	X93
	1	432 3092-94	Cable set	Jeu de câbles	3	
33	1	432 3082-56	Cable set	Jeu de câbles	3	
	1	432 3092-56	Cable set	Jeu de câbles	3	
34	1	432 3083-30	Cable set	Jeu de câbles	3	
	1	432 3093-30	Cable set	Jeu de câbles	3	
35	1	432 3082-15	Cable set	Jeu de câbles	3	
	1	432 3092-15	Cable set	Jeu de câbles	3	
36	1	432 3087-20	Cable set	Jeu de câbles	3	
	1	432 3097-20	Cable set	Jeu de câbles	3	
37	1	432 3082-51	Cable set	Jeu de câbles	3	A11X10-X302 -795/4624
	1	432 3092-51	Cable set	Jeu de câbles	3	795/4625-
38	1	432 3082-43	Cable set	Jeu de câbles	3	
	1	432 3092-43	Cable set	Jeu de câbles	3	
39	1	432 3085-25	Cable set	Jeu de câbles	3	
	1	432 3095-25	Cable set	Jeu de câbles	3	
40	1	432 3084-16	Cable set	Jeu de câbles	3	
	1	432 3094-16	Cable set	Jeu de câbles	3	
41	1	432 3082-19	Cable set	Jeu de câbles	3	A11X16:3-X40 -795/4624
	1	432 3092-19	Cable set	Jeu de câbles	3	795/4625-
42	4	438 0299-01	Spacer	Entretoise	3	
43	1	432 3082-89	Cable set	Jeu de câbles	3	X96
	1	432 3092-89	Cable set	Jeu de câbles	3	
44	1	432 3085-04	Cable set	Jeu de câbles	3	
	1	432 3095-04	Cable set	Jeu de câbles	3	795/4625-
45	1	432 3082-16	Cable set	Jeu de câbles	3	
	1	432 3092-16	Cable set	Jeu de câbles	3	
46	1	432 3082-50	Cable set	Jeu de câbles	3	
	1	432 3092-50	Cable set	Jeu de câbles	3	
47	1	432 3083-32	Cable set	Jeu de câbles	3	
	1	432 3093-32	Cable set	Jeu de câbles	3	
48	1	432 3082-17	Cable set	Jeu de câbles	3	
	1	432 3092-17	Cable set	Jeu de câbles	3	
49	1	432 3088-32	Cable set	Jeu de câbles	3	
	1	432 3098-32	Cable set	Jeu de câbles	3	
50	1	432 3182-02	Cable set	Jeu de câbles	3	
	1	432 3192-02	Cable set	Jeu de câbles	3	
51	1	432 3085-27	Cable set	Jeu de câbles	3	
	1	432 3095-27	Cable set	Jeu de câbles	3	
52	1	432 3084-25	Cable set	Jeu de câbles	3	
	1	432 3094-25	Cable set	Jeu de câbles	3	795/4625-
53	1	432 3092-70	Cable set	Jeu de câbles	3	X95



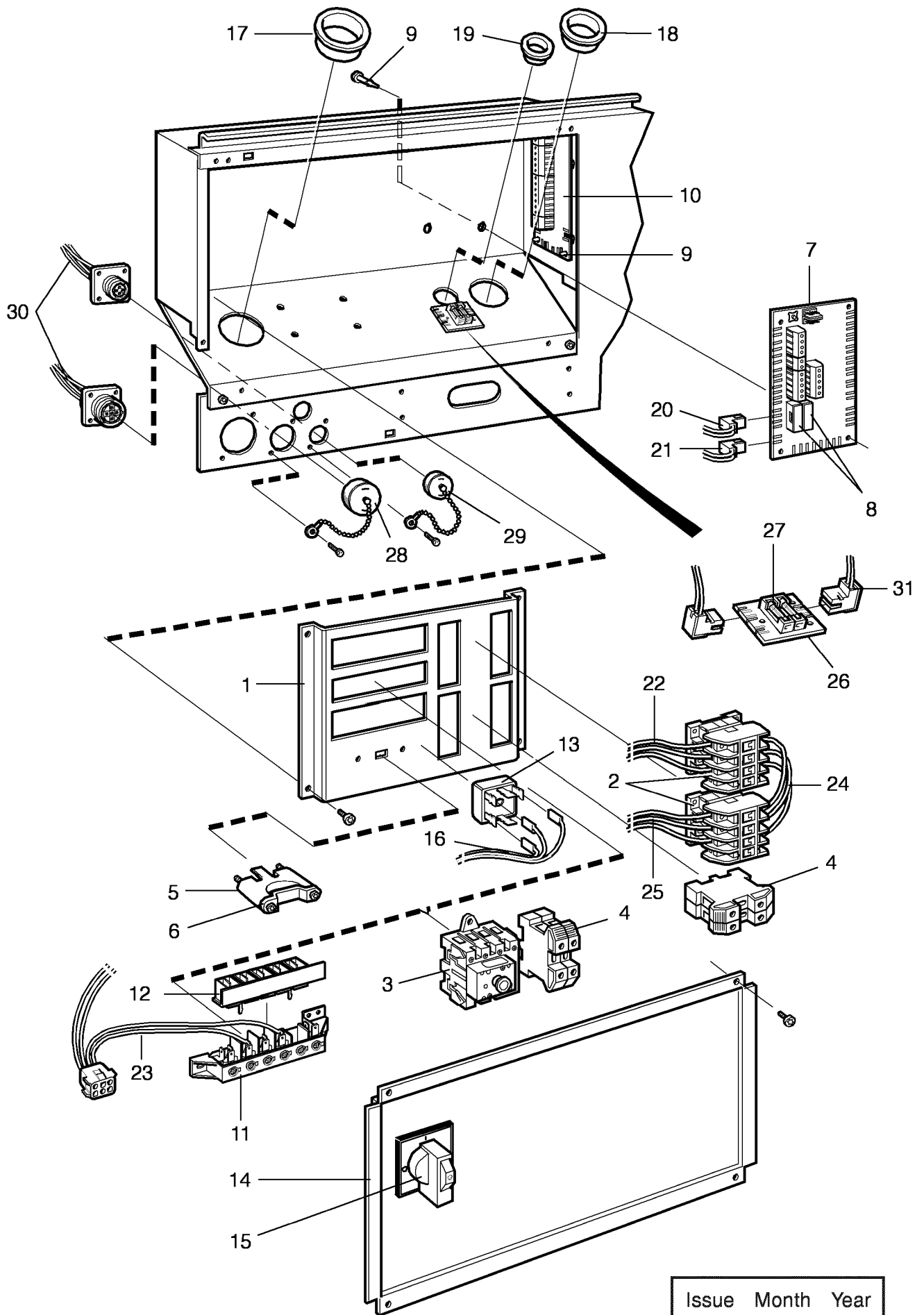
EX670c,EX670s,FAS3300H,W3300H

Motor control

Variateur de vitesse

Illustration	Issue	Month	Year
Schéma	Issue	Month	Year
101766/1	10	10	2009

Item Article	Qua. Qua.	Art.No Réf. article	Description	Description	Info Info	Notes Remarques
1	1	472 9929-25	Motor control	Variateur de vitesse	1	200-240V
2	1	413 2918-05	•Cable set	•Jeu de câbles	3	4-pole
	1	413 2918-06	•Cable set	•Jeu de câbles	3	4-pole Trafo
	1	413 2918-08	•Cable set	•Jeu de câbles	3	4-pole Japan
3	1		Cable set	Jeu de câbles		See motor
4	1	438 9799-12	Clamp	Attache	3	
5	1	438 9799-01	Cover	Couvercle	3	



Issue	Month	Year
01	10	02

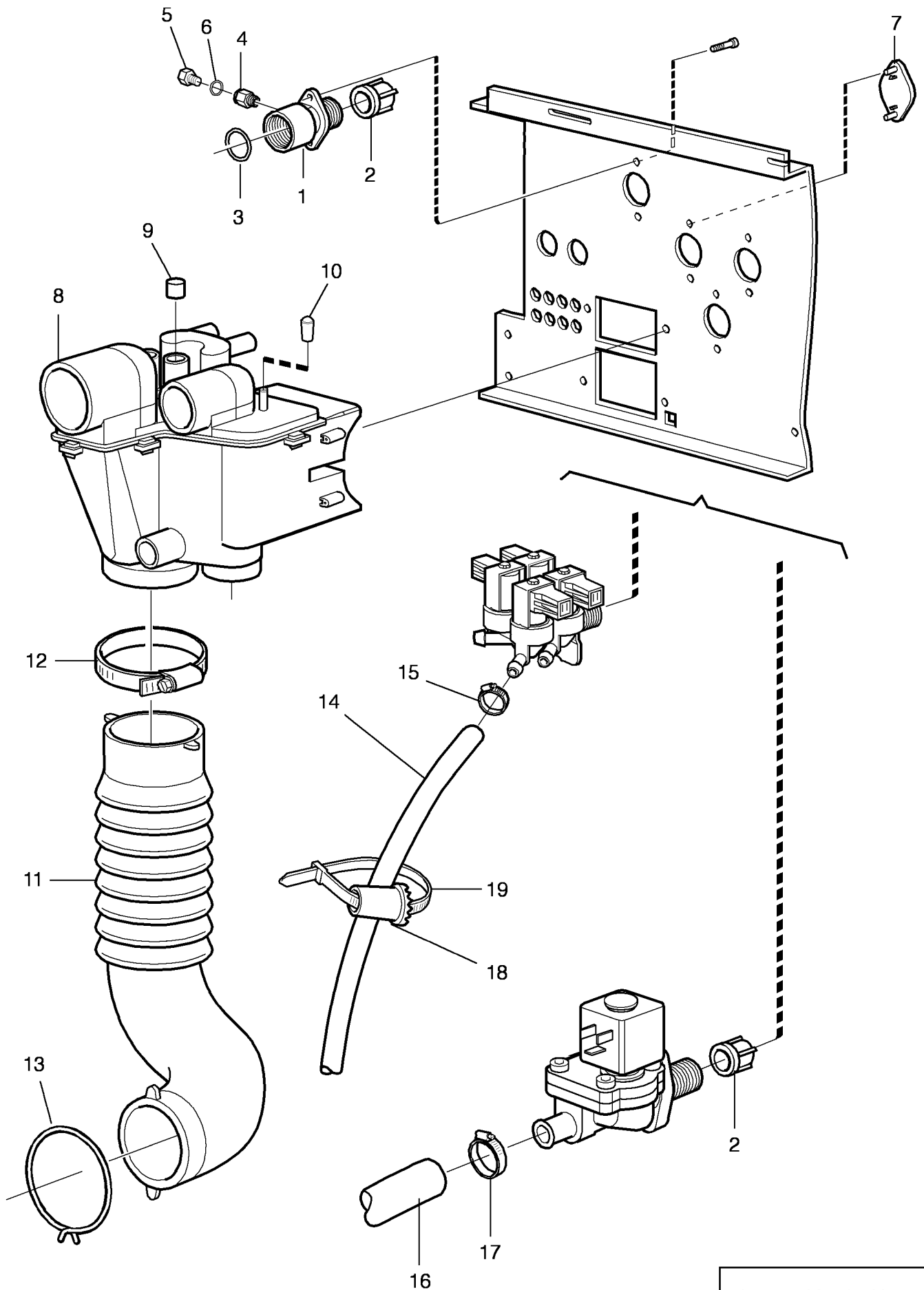
EX670c,EX670s,FAS3300H,W3300H

Electric components connection

Composants électriques raccordement électrique

Illustration Issue Month Year
Schéma Issue Month Year
101791/3 8 2 2006

Item Article	Qua. Qua.	Art.No Réf. article	Description	Description	Info Info	Notes Remarques
1	1	432 2154-01	Mounting plate	Plaque de montage	3	
2	2	471 9635-11	Contacteur	Relais	1,2	50Hz 400-415V
	2	471 9635-10	Contacteur	Relais	1,2	60Hz 400-415V
	2	438 9635-11	Contacteur	Relais	1,2	50Hz 230V
	2	438 9635-10	Contacteur	Relais	1,2	60Hz 230V
3	1	438 9678-04	Main switch	Main switch	1	3-pole, 70A
	1	438 9678-12	Main switch	Main switch	1	4-pole, 40A
	1	438 9678-14	Main switch	Main switch	1	4-pole, 70A
4	2	471 8767-01	Block	Cale	3	SL10
5	1	471 7859-12	Clamp	Attache	3	Lower part
6	1	471 7859-16	Clamp	Attache	3	Upper part
7	1	438 8786-02	Printed circuit board	Circuit imprimé	1,2	Clarus
	1	438 8785-01	Printed circuit board	Circuit imprimé	1,2	Exacta
8	2	471 8750-11	•Fuse	•Porte-fusible	1,2	1,25A
9	Rq	471 7958-02	Support	Support	3	
10	1	438 8787-01	Printed circuit board	Circuit imprimé	1,2	Clarus
11	1	471 8759-01	Block	Cale	3	
12	1	471 8759-51	Cover	Couvercle	3	
13	1	471 9573-02	Rectifier	Redresseur	1,2	
14	1	432 2156-11	Cover	Couvercle	3	With hole
	1	432 2156-12	Cover	Couvercle	3	Without hole
15	1	471 9678-94	Knob	Bouton de porte	1	
16	1	432 2960-03	Cable set	Jeu de câbles	3	3AC
17	1	762 1215-10	Grommet	Oeillet	3	Ø48/35mm
18	1	762 1215-10	Grommet	Oeillet	3	Ø48/35mm
19	1	762 1182-10	Grommet	Oeillet	3	Ø22,2MM
20	1	432 3082-86	Cable set	Jeu de câbles	3	-795/4624
	1	432 3092-86	Cable set	Jeu de câbles	3	795/4625-
21	1	432 3182-52	Cable set	Jeu de câbles	3	-795/4624
	1	432 3192-52	Cable set	Jeu de câbles	3	795/4625-
22	3	432 2954-13	Cable set	Jeu de câbles	3	
	3	432 2954-14	Cable set	Jeu de câbles	3	
23	1	432 2986-01	Cable set	Jeu de câbles	3	-795/4624
	1	432 3106-01	Cable set	Jeu de câbles	3	795/4625-
	1	432 2976-01	Cable set	Jeu de câbles	3	-795/4624
	1	432 3076-01	Cable set	Jeu de câbles	3	795/4625-
24	2	432 2984-01	Cable set	Jeu de câbles	3	
25	3	432 2954-11	Cable set	Jeu de câbles	3	400V
	3	432 2954-13	Cable set	Jeu de câbles	3	
26	1	438 8797-01	Printed circuit board	Circuit imprimé	1,2	
27	2	471 8750-11	•Fuse	•Porte-fusible	1,2	1,25A
28	1	438 7950-02	Cover washer	Rondelle protection	3	14-pole
29	1	438 7950-01	Cover washer	Rondelle protection	3	4-pole
30	1	432 2945-01	Cable set	Jeu de câbles	3	-795/4624
	1	432 3045-01	Cable set	Jeu de câbles	3	795/4625-
31	1	432 3082-25	Cable set	Jeu de câbles	3	-795/4624
	1	432 3092-25	Cable set	Jeu de câbles	3	795/4625-



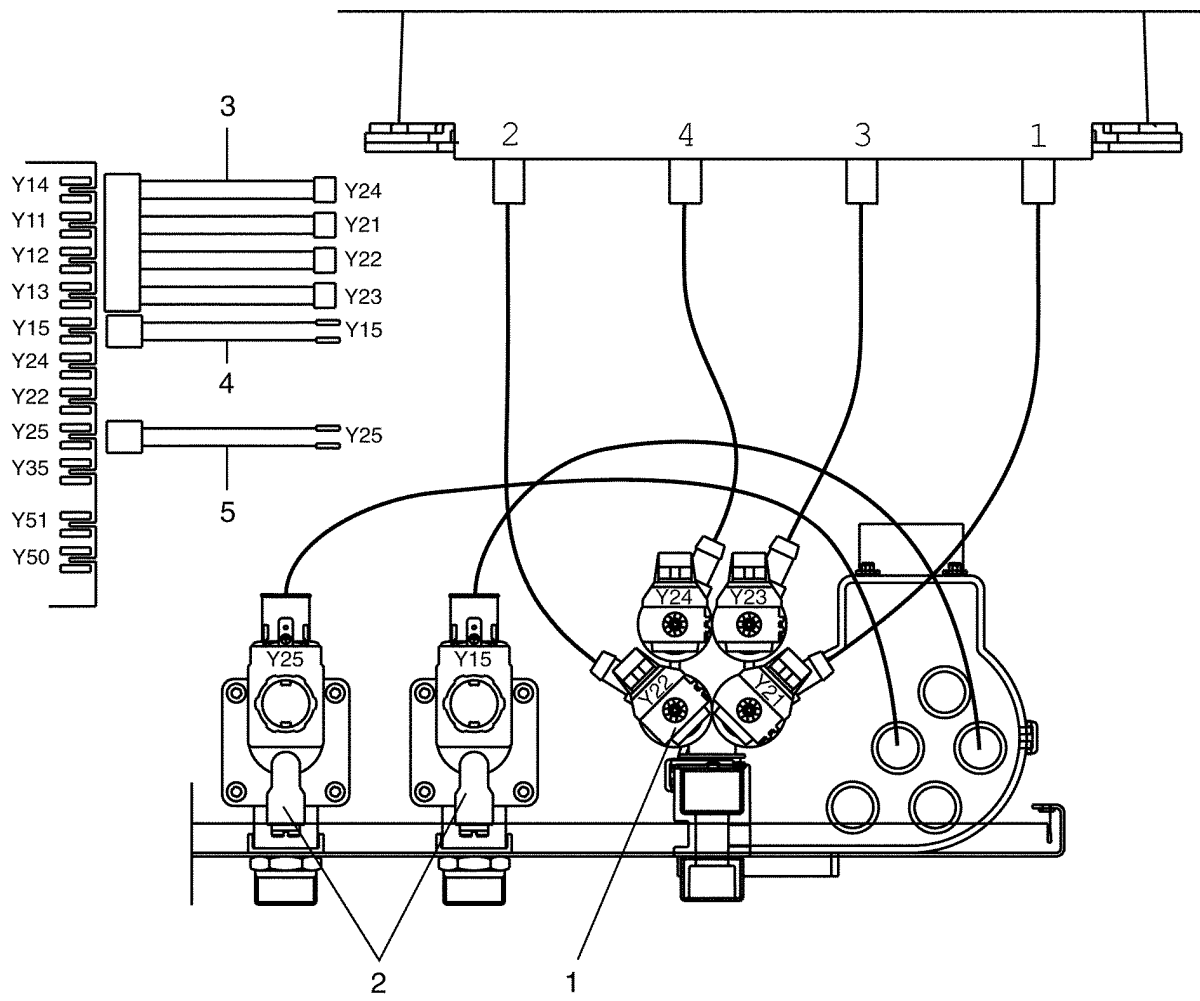
EX670c,EX670s,FAS3300H,W3300H

Water connections

Illustration Issue Month Year
Schéma Issue Month Year
101790/3 5 2 2008

Raccords d'eau

Item Article	Qua. Qua.	Art.No Réf. article	Description	Description	Info Info	Notes Remarques
1	1	438 0056-03	Nipple	Raccord	3	Black, 3/4"
	1	438 0056-04	Nipple	Raccord	3	White, 3/4", USA
2	Rq	471 8693-21	Filter	Filtre	3	
3	1	471 8199-01	Gasket	Joint	3	
4	1	471 8688-13	Nipple	Raccord	3	1/8"
5	1	741 5109-25	Plug	Fiche	3	El-drain
6	1	740 4206-00	O-ring	Joint torique	3	El-drain
7	Rq	472 6761-01	Cover washer	Rondelle protection	3	
8	1	432 2301-01	Siphon breaker	Rupteur de siphon	3	
9	Rq	471 8175-01	Plug	Fiche	3	
10	1	471 8644-02	Plug	Fiche	3	El-drain
11	1	432 2306-01	Hose	Flexible	1	
12	1	736 2846-51	Hose clamp	Attache flexible	3	Ø73-83
13	1	471 7871-07	Hose clamp	Attache flexible	3	
14	Rq	877 5211-08	Hose	Flexible	1	Per 1 m
15	Rq	736 2816-51	Hose clamp	Attache flexible	3	Ø13-19
16	Rq	432 2308-01	Hose	Flexible	1	
17	Rq	736 2825-51	Hose clamp	Attache flexible	3	Ø32
18	1	471 4792-01	Tool	Outil	3	
19	1	762 9102-05	Cable tie	Collier de serrage	3	



Issue	Month	Year
01	03	00

EX670c,EX670s,FAS3300H,W3300H

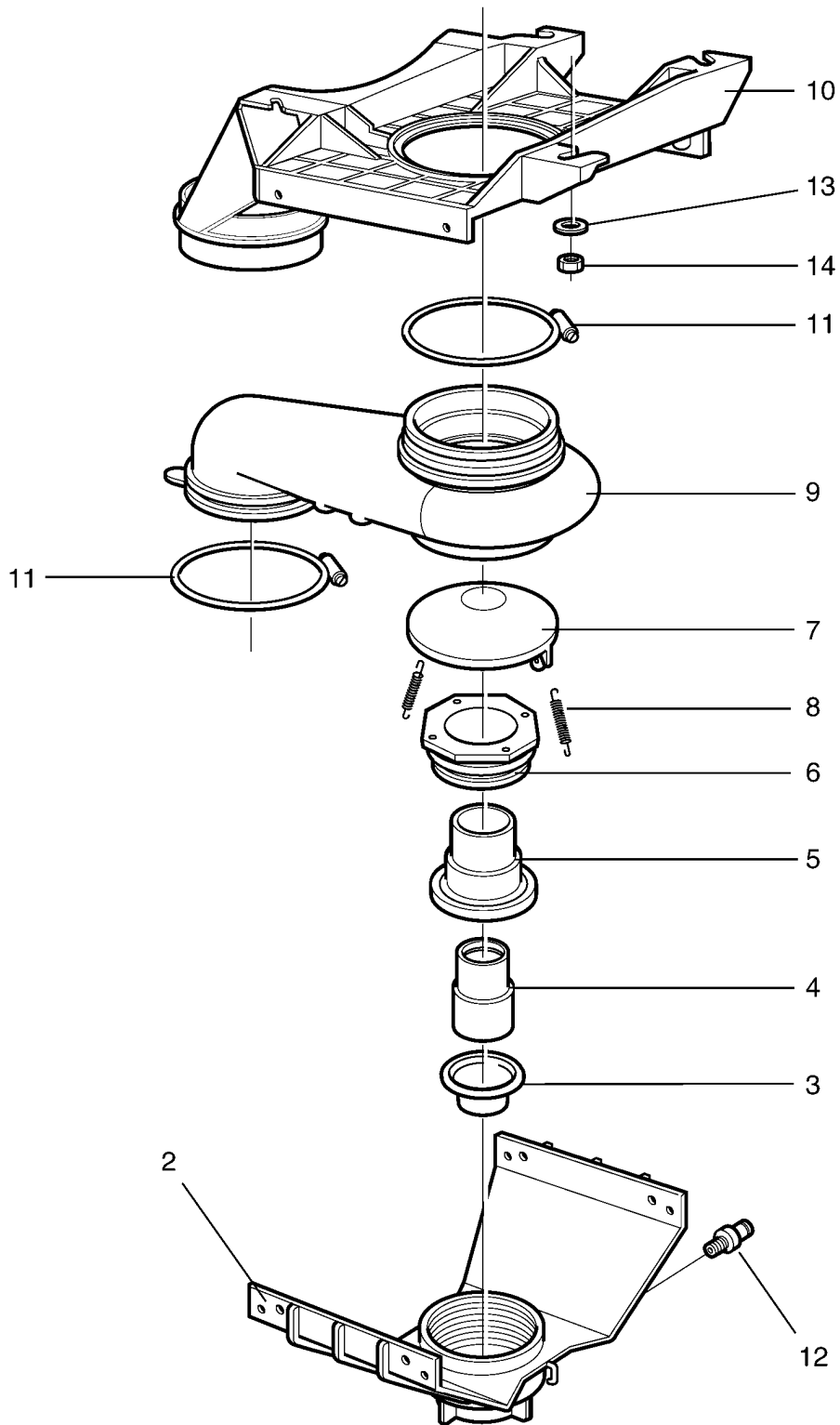
Inlet valves and cable set

Illustration Issue Month Year
Schéma Issue Month Year
101792/1 4 9 2004

Inlet valves and cable set

Item Article	Qua. Qua.	Art.No Réf. article	Description	Description	Info Info	Notes Remarques
1	1	471 8240-63	Valve	Electrovanne	1,2	4-way, 208-240V 50/60Hz, BSP
	1	471 8240-69	Valve	Electrovanne	1,2	4-way, 208-240V 50/60Hz, NH USA USA
	1	471 6860-15	•Coil	•Bobine	1,2	120V Green
	1	471 6860-16	•Coil	•Bobine	1,2	120V Orange
	1	471 6860-17	•Coil	•Bobine	1,2	120V White
	1	471 8240-90	•Coil	•Bobine	1,2	120V Grey
	1	471 6860-18	•Coil	•Bobine	1,2	208-240V Green
	1	471 6860-19	•Coil	•Bobine	1,2	208-240V Orange
	1	471 6860-20	•Coil	•Bobine	1,2	208-240V White
	1	471 8240-91	•Coil	•Bobine	1,2	208-240V Grey
	2	2	471 8210-70	Valve	Electrovanne	1,2
2		471 8210-79	•Coil	•Bobine	1,2	50/60 Hz
2		471 8210-71	Valve	Electrovanne	1,2	208-240V 60Hz, NH USA USA
2		471 8210-78	•Coil	•Bobine	1,2	60Hz USA
3	1	432 3088-51	Cable set	Jeu de câbles	3	-795/4624
	1	432 3098-51	Cable set	Jeu de câbles	3	795/4625-
4	1	432 3082-46	Cable set	Jeu de câbles	3	-795/4624
	1	432 3092-46	Cable set	Jeu de câbles	3	795/4625-
5	1	432 3182-45	Cable set	Jeu de câbles	3	-795/4624
	1	432 3192-45	Cable set	Jeu de câbles	3	795/4625-

1



Issue	Month	Year
04	03	05

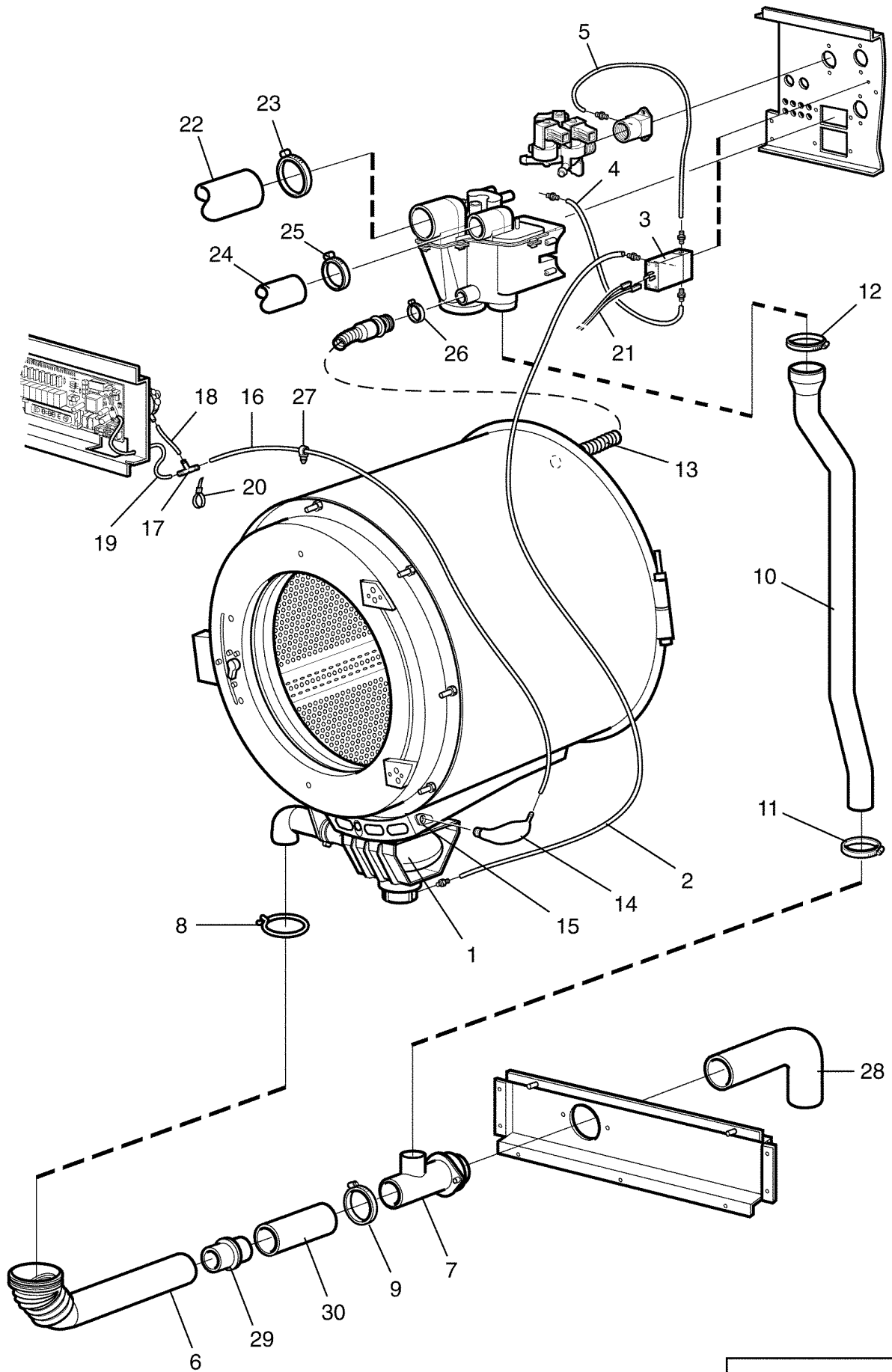
EX670c,EX670s,FAS3300H,W3300H

Drain valve

Vanne de vidange

Illustration Issue Month Year
Schéma Issue Month Year
101772/4 4 11 2008

Item Article	Qua. Qua.	Art.No Réf. article	Description	Description	Info Info	Notes Remarques
1	1	432 2502-01	Drain valve	Vanne de vidange	1,2	
2	1	438 0051-01	•Lower frame	•Châssis inférieur	3	
3	1	471 8195-01	•Diaphragm	•Diaphragme	1,2	
4	1	438 0054-01	•Piston	•Piston	3	
5	1	438 0053-01	•Housing	•Logement	3	
6	1	438 0055-01	•Gland	•Presse-étoupe	3	
7	1	438 0052-01	•Cover	•Couvercle	3	
8	2	471 7818-01	•Spring	•Ressort	1	
9	1	432 2505-01	•Hose housing	•Membrane de vidange	1,2	
10	1	432 2501-01	•Upper frame	•Partie supérieure	3	
11	2	471 7871-04	•Hose clamp	•Attache flexible	3	
12	1	471 8688-13	•Nipple	•Raccord	1	1/8"
13	4	734 1153-09	Washer	Rondelle	3	BRB 6,4X12
14	4	732 2116-42	Locking nut	Contre-écrou	3	M6



Issue	Month	Year
06	04	03

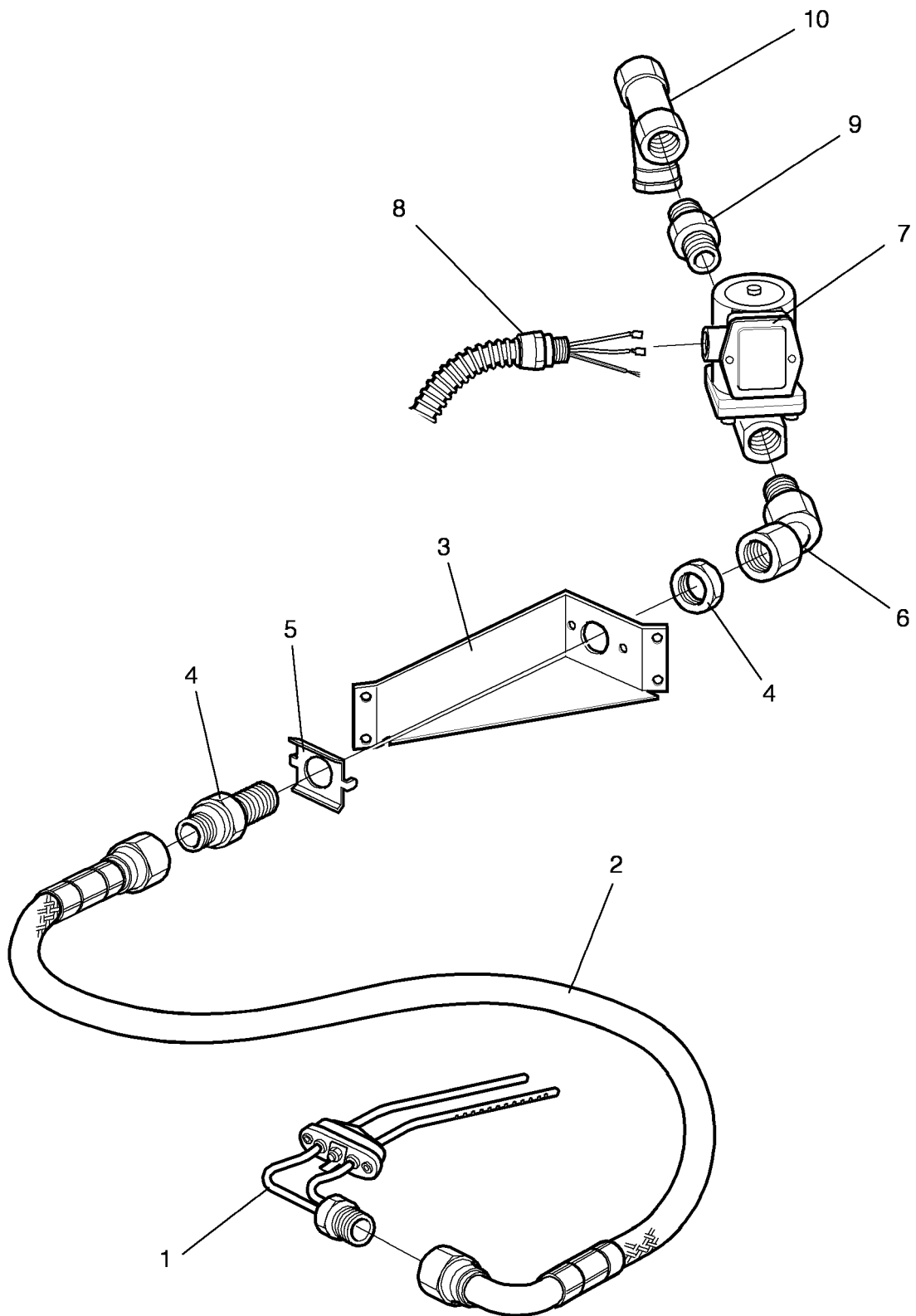
EX670c,EX670s,FAS3300H,W3300H

Drain valve and hoses

Illustration Issue Month Year
Schéma Issue Month Year
101767/5 6 11 2008

Purgeur et flexible

Item Article	Qua. Qua.	Art.No Réf. article	Description	Description	Info Info	Notes Remarques
1	1		Drain valve	Vanne de vidange		See illustr. 101772, 101924
2	1	471 8139-16	Hose	Flexible	1	L=2250
3	1	471 8243-04	Solenoid valve	Electrovanne	1,2	230V 50Hz -795/2474
	1	471 8243-07	Solenoid valve	Electrovanne	1,2	230V 50Hz 795/2475-
	1	471 8243-05	Solenoid valve	Electrovanne	1,2	208-240V 60Hz -795/2474
	1	471 8243-08	Solenoid valve	Electrovanne	1,2	208-240V 60Hz 795/2475-
	1	471 8243-10	Solenoid valve	Electrovanne	1,2	230V 50/60Hz Japan 795/2475-
4	1	471 8139-01	Hose	Flexible	1,2	L=330 -795/2474
	1	438 8102-06	Hose	Flexible	1,2	L=330 795/2475-
5	1	471 8139-01	Hose	Flexible	1	L=330
6	1	432 2516-02	Hose	Flexible	1	
7	1	432 2511-01	Drain pipe connection	Raccord de vidange	3	
8	1	471 7871-07	Hose clamp	Attache flexible	3	
9	4	736 2846-51	Hose clamp	Attache flexible	3	Ø73-83
10	1	432 2521-03	Hose	Flexible	1	
11	1	736 2837-51	Hose clamp	Attache flexible	3	Ø48-54
12	1	736 2837-51	Hose clamp	Attache flexible	3	Ø48-54
13	1	432 2508-02	Hose	Flexible	1	
14	1	432 2507-01	Air tube	Chambre de compression	1	
15	1	432 2506-01	Connection	Connexion	3	
16	1	471 8118-07	Hose	Flexible	1	L=1325
17	1	471 2265-69	T-pipe	Tube en T	3	
18	1	471 2442-42	Hose	Flexible	1,2	L=120 Clarus
19	1	471 2464-18	Hose	Flexible	1	L=280 Clarus
20	1	471 7873-02	Cable tie	Collier de serrage	3	
21	1	432 3182-43	Cable set	Jeu de câbles	3	X50
22	1	471 8128-62	Hose	Flexible	1	
23	2	736 2840-51	Hose clamp	Attache flexible	3	Ø50-63
24	1	471 8124-05	Hose	Flexible	1	
25	2	736 2831-51	Hose clamp	Attache flexible	3	Ø36-42
26	1	736 2825-51	Hose clamp	Attache flexible	3	Ø32
27	3	471 7887-01	Clip	Colliers de serrage	3	
28	1	471 4835-01	Drain hose	Flexible de vidange	1	Ø75
29	1	438 0083-01	Joint sleeve	Couvre-joint	3	
30	1	471 8128-54	Hose	Flexible	3	



101918

Issue	Month	Year
01	10	02

EX670c,EX670s,FAS3300H,W3300H

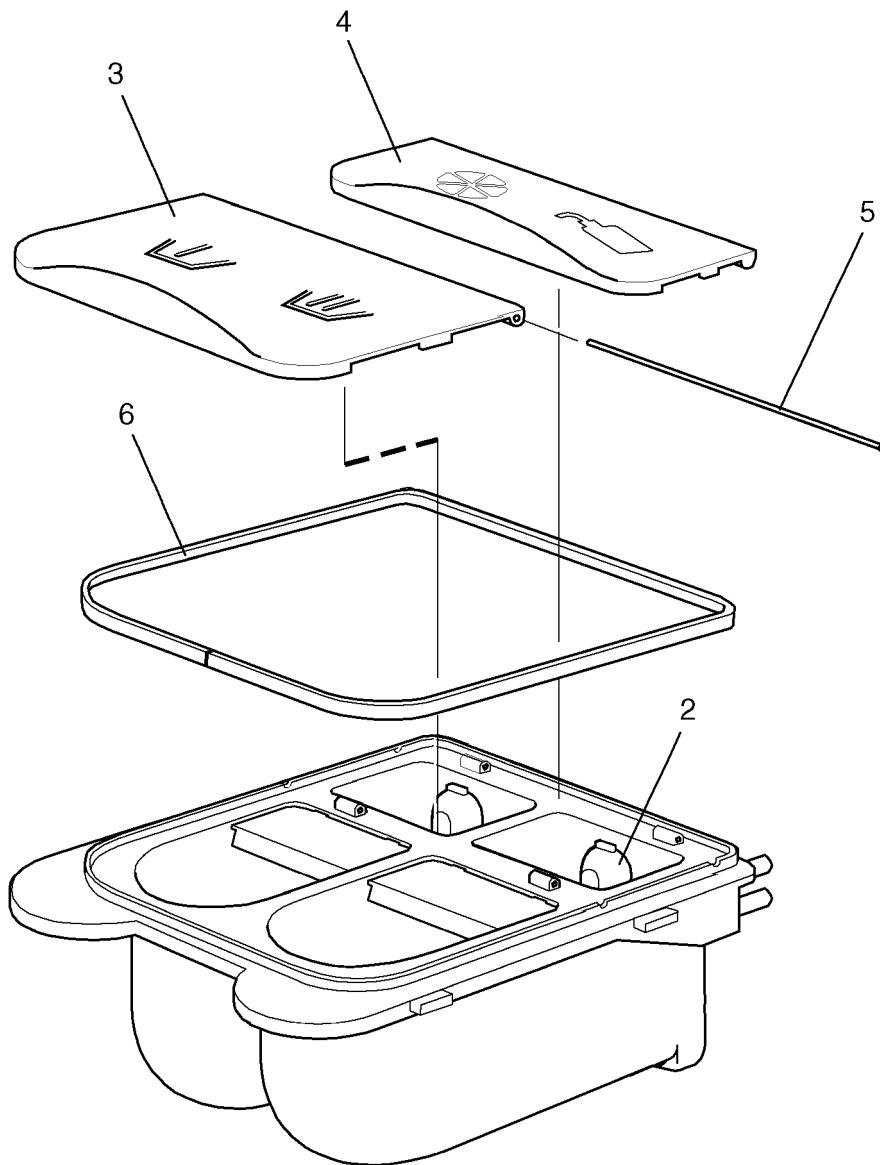
Steam components

Illustration Issue Month Year
Schéma Issue Month Year
101918/1 3 6 2003

Composants

Item Article	Qua. Qua.	Art.No Réf. article	Description	Description	Info Info	Notes Remarques
1	1	432 1631-01	Steam injector	Injecteur de vapeur	3	
2	1	471 8126-38	Steam hose	Tuyau flexible de vapeur	1	
3	1	432 1673-01	Bracket	Pupitre	3	
4	1	471 8695-01	Nipple	Raccord	3	
5	1	471 2937-01	Bracket	Support	3	
6	1	471 8697-01	Adapter	Adaptateur	3	
7	1	471 8279-03	Valve	Electrovanne	1,2	50/60 Hz
	1	471 8279-08	•Repair kit	•Kit de réparation	1,2	
8	1	432 2958-01	Cable set	Jeu de câbles	3	
9	1	471 8624-01	Nipple	Raccord	3	
10	1	744 3113-06	Filter	Filtre	3	1/2"

1



Issue	Month	Year
01	10	02

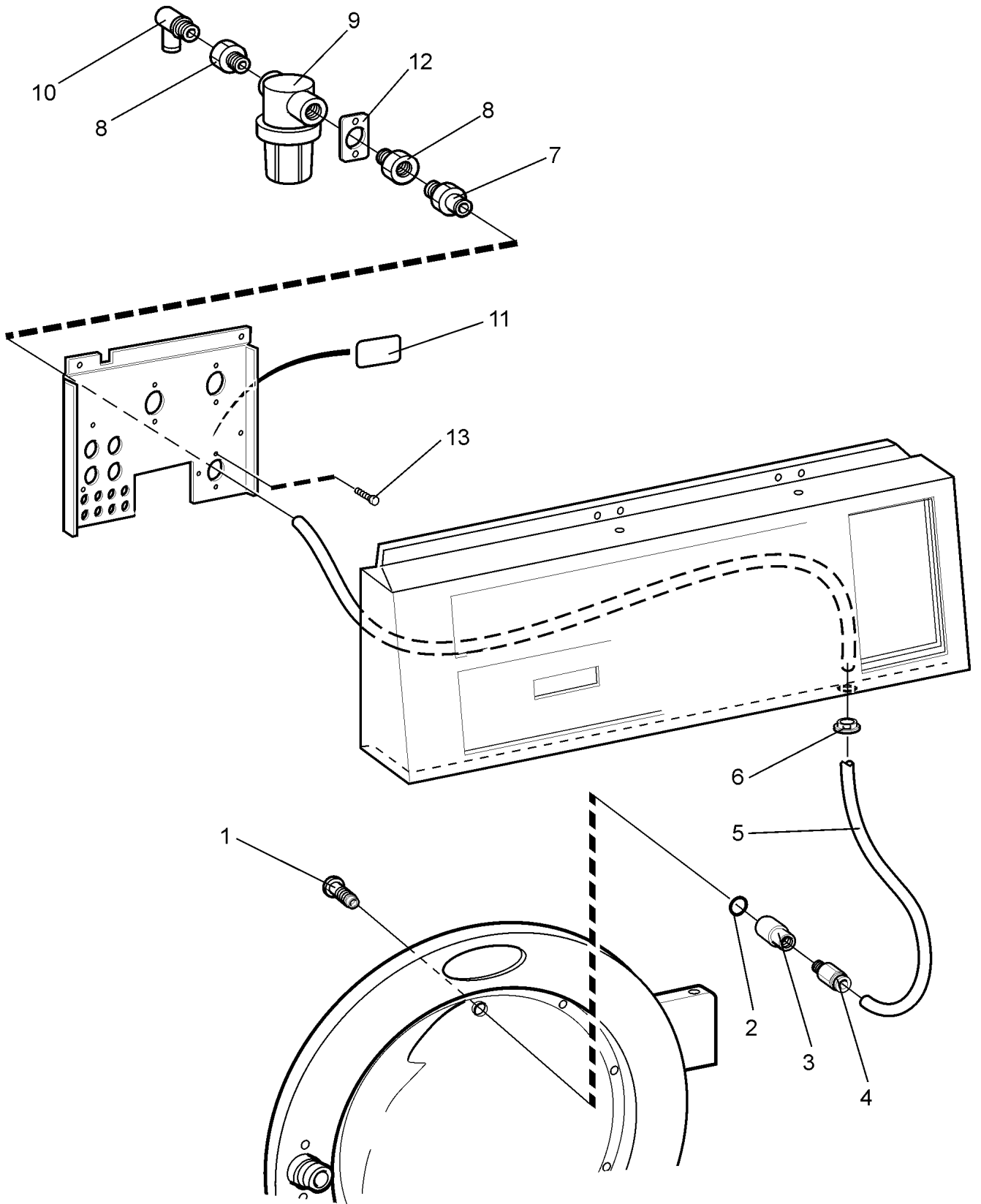
EX670c,EX670s,FAS3300H,W3300H

Detergent container

Compartiment à savon

Illustration	Issue	Month	Year
Schéma	Issue	Month	Year
101771/2	5	4	2003

Item Article	Qua. Qua.	Art.No Réf. article	Description	Description	Info Info	Notes Remarques
1	1	432 2401-01	Detergent container	Compartiment à savon	1,2	
2	2	432 2404-01	•Siphon	•Siphon	1,2	
3	1	432 2405-01	•Cover	•Couvercle	1,2	
4	1	432 2406-01	•Cover	•Couvercle	1,2	
5	2	432 2407-01	•Shaft	•Arbre	3	
6	1	438 8103-01	•Seal	•Joint	1,2	
7	1	432 2409-01	Cover	Couvercle	3	



Issue	Month	Year
01	10	02

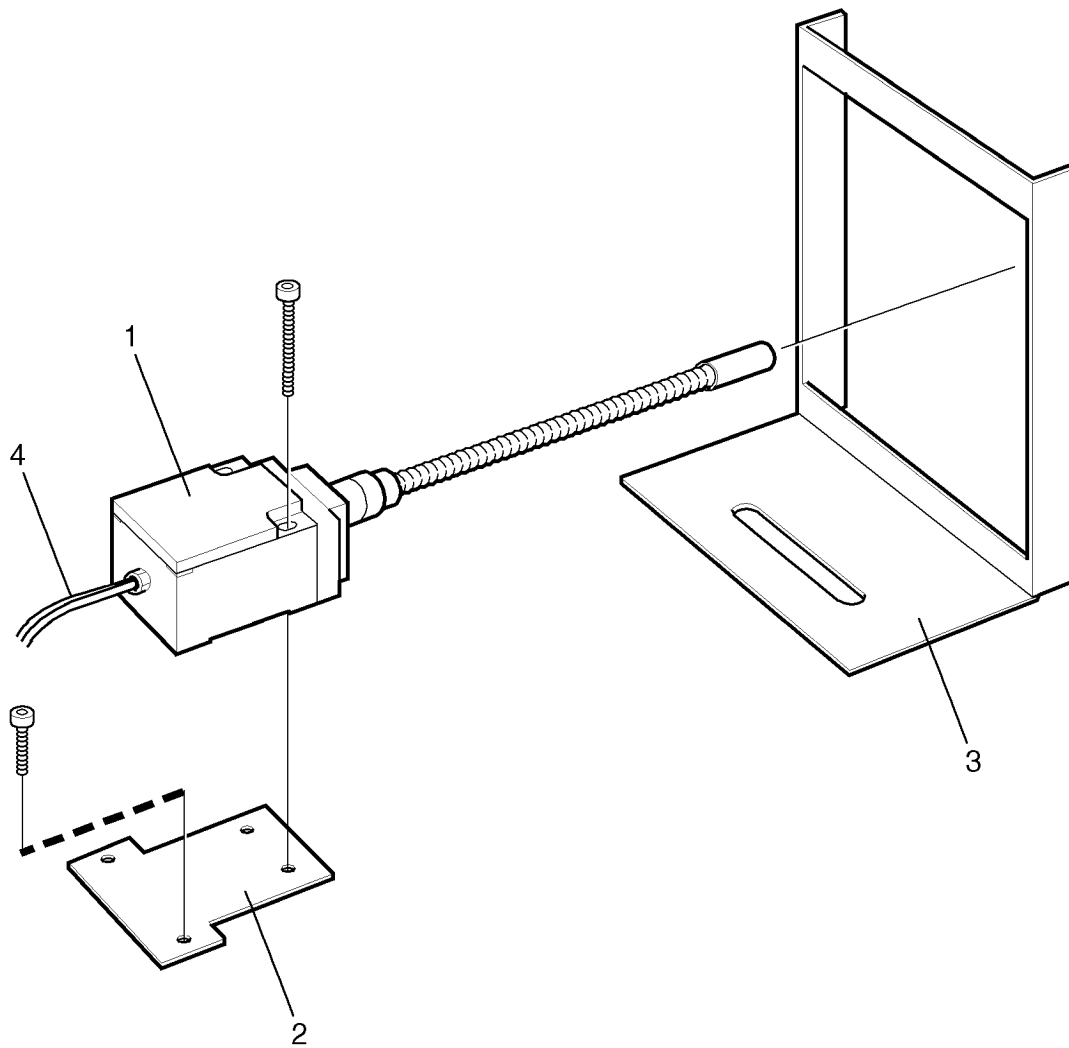
EX670c,EX670s,FAS3300H,W3300H

Spray system

Illustration Issue Month Year
Schéma Issue Month Year
101931/2 2 2 2002

Assemblage articulé et plaque

Item Article	Qua. Qua.	Art.No Réf. article	Description	Description	Info Info	Notes Remarques
1	1	471 9883-02	Nozzle	Tuyère	1	
2	2	740 4209-00	O-ring	Joint torique	1	
3	1	471 9884-01	Muff	Tubulure	3	
4	1	471 8690-33	Connection	Embrayage	3	
5	1	471 8143-01	Tube	Tube	1,2	L=3000
6	1	762 1116-10	Grommet	Oeillet	3	
7	1	471 8688-14	Nipple	Raccord	3	
8	2	471 8636-20	Nipple	Raccord	3	
9	1	438 4125-01	Filter	Filtre	1,2	
10	1	471 8690-28	Angle connector	Raccord d'angle	3	
11	1	471 4672-08	Sign	Signe	3	
12	1	432 2310-01	Mounting plate	Plaque de montage	3	
13	2	471 8342-11	Screw	Vis	3	MRT-TT 4X6



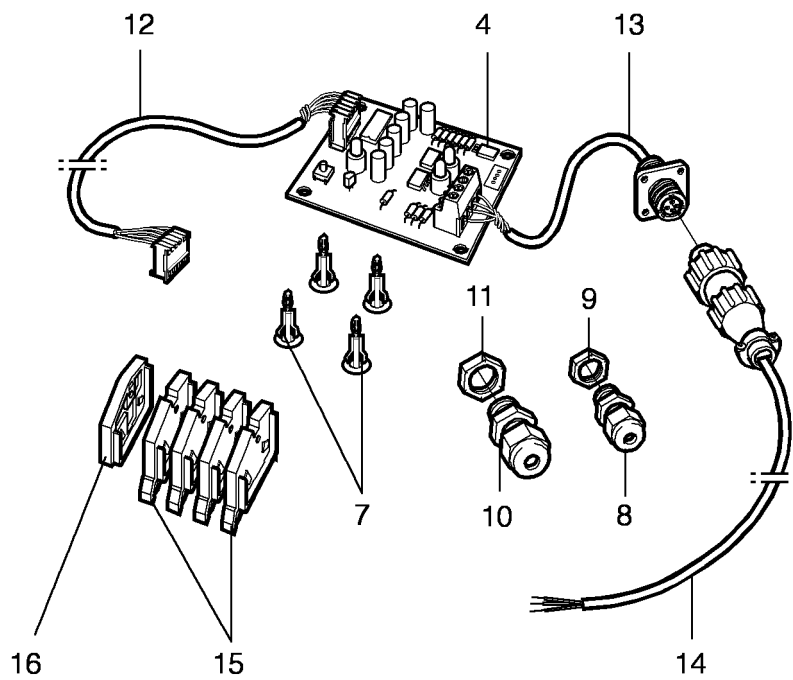
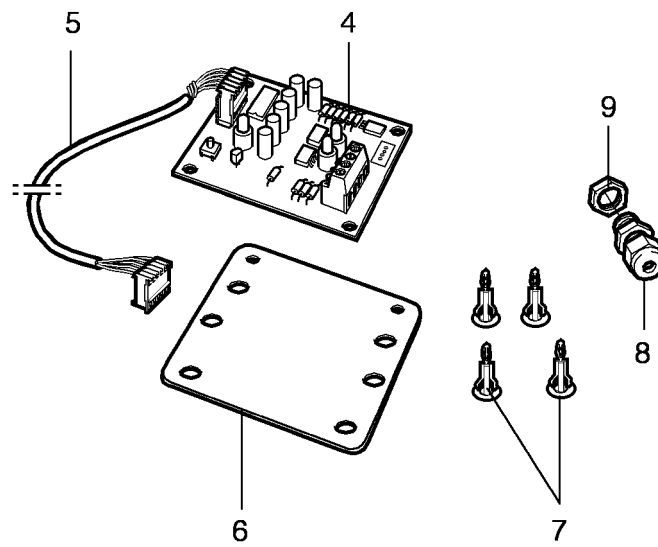
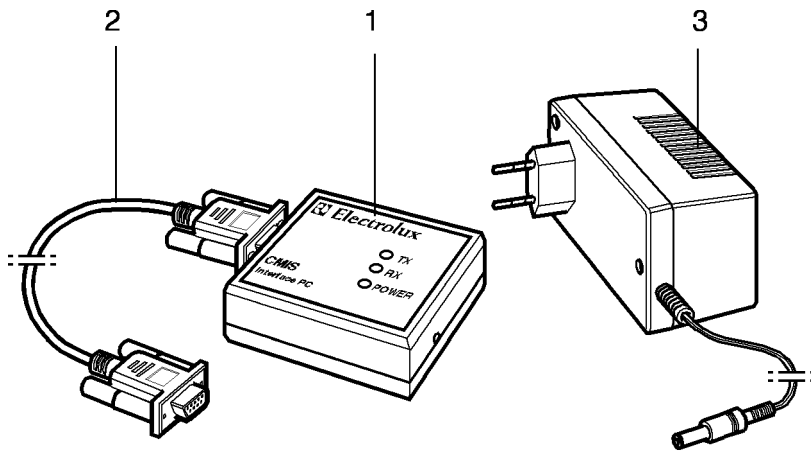
EX670c,EX670s,FAS3300H,W3300H

Out of balance switch

Commutateur asymétrique

Illustration	Issue	Month	Year
Schéma	Issue	Month	Year
101922/1	2	9	2004

Item Article	Qua. Qua.	Art.No Réf. article	Description	Description	Info Info	Notes Remarques
1	1	471 9608-01	Out of balance switch	Commutateur asymétrique	1,2	
2	1	432 2183-01	Mounting plate	Plaque de montage	3	
3	1	432 2186-01	Frame	Châssis	3	
4	1	432 2987-01	Cable set	Jeu de câbles	3	-795/4624
	1	432 2987-02	Cable set	Jeu de câbles	3	795/4625-



Issue	Month	Year
01	10	02

EX670c,EX670s,FAS3300H,W3300H

CMIS

Illustration Issue Month Year
Schéma Issue Month Year
102107/1 2 3 2008

CMIS

Item Article	Qua. Qua.	Art.No Réf. article	Description	Description	Info Info	Notes Remarques
1	1	438 8796-01	Interface PC	Interface PC	1	Complete
2	1	438 8793-01	Cable	Câble	3	Complete
3	1	471 9680-01	Battery eliminator	Battery eliminator	3	24V
4	1	438 8791-01	CMIS Interface	CMIS Interface	1	
5	1	432 2933-03	Cable set	Jeu de câbles	3	
6	1	471 4601-01	Bracket	Pupitre	3	
7	4	471 7958-02	Support	Support	3	
8	1	471 8780-01	Screw fitting	Vis de raccord	3	15,2
9	1	471 8780-31	Nut	Écrou	3	15
10	1	471 8780-02	Screw fitting	Vis de raccord	3	18,2
11	1	471 8780-32	Nut	Écrou	3	18
12	1	432 2933-02	Cable set	Jeu de câbles	3	
13	1	438 7300-87	Cable set	Jeu de câbles	3	
14	1	438 7300-88	Cable set	Jeu de câbles	3	
15	4	438 8762-01	Block	Cale	3	
16	1	438 8762-11	Block	Cale	3	

Numerical index/Numerical index

Art.No/Réf. article	Page/Page	Art.No/Réf. article	Page/Page	Art.No/Réf. article	Page/Page	Art.No/Réf. article	Page/Page
413 2918-05	37	432 2059-03	11	432 2630-09	29	432 2650-56	23
413 2918-06	37	432 2059-04	11	432 2630-10	29	432 2650-57	23
413 2918-08	37	432 2059-10	11	432 2649-03	21	432 2650-58	23
413 2965-01	7	432 2059-11	11	432 2649-04	21	432 2650-59	23
413 2965-02	7	432 2068-01	11	432 2649-05	21	432 2650-60	23
413 2965-03	7	432 2069-01	11	432 2649-06	21	432 2650-61	23
432 0149-01	33	432 2096-01	11	432 2649-07	21	432 2650-62	23
432 0150-01	33	432 2096-02	11	432 2649-20	21	432 2650-63	23
432 1229-01	19	432 2107-01	11	432 2649-21	21	432 2650-64	23
432 1335-01	9	432 2121-04	11	432 2649-22	21	432 2650-65	23
432 1399-02	9	432 2131-04	11	432 2649-23	21	432 2650-66	23
432 1406-01	7	432 2135-02	11	432 2649-24	21	432 2650-67	23
432 1406-02	7	432 2137-01	11	432 2649-25	21	432 2650-68	23
432 1407-01	7	432 2150-01	27	432 2649-26	21	432 2650-69	23
432 1407-02	7	432 2154-01	39	432 2649-27	21	432 2650-70	23
432 1413-01	7	432 2156-11	39	432 2649-28	21	432 2650-71	23
432 1414-01	7	432 2156-12	39	432 2650-02	21	432 2650-72	23
432 1421-01	9	432 2159-01	33	432 2650-03	21	432 2650-73	23
432 1426-01	7	432 2160-01	33	432 2650-04	21	432 2650-74	23
432 1437-01	7	432 2161-01	33	432 2650-05	21	432 2650-75	23
432 1453-01	7	432 2162-02	33	432 2650-06	21	432 2650-76	25
432 1454-01	19	432 2163-13	11	432 2650-07	21	432 2650-77	25
432 1455-01	19	432 2163-15	11	432 2650-08	21	432 2650-78	25
432 1458-01	7	432 2167-01	31	432 2650-09	21	432 2650-79	25
432 1458-02	7	432 2170-01	11	432 2650-10	21	432 2650-80	25
432 1468-01	7	432 2179-01	11	432 2650-11	21	432 2650-81	25
432 1473-01	19	432 2181-01	27	432 2650-12	21	432 2650-82	25
432 1504-41	13	432 2183-01	55	432 2650-13	21	432 2650-83	25
432 1544-01	13	432 2186-01	55	432 2650-14	21	432 2650-84	25
432 1549-01	13	432 2207-31	11	432 2650-16	21	432 2650-85	25
432 1554-01	13	432 2207-32	11	432 2650-17	21	432 2650-86	25
432 1569-01	13	432 2207-40	11	432 2650-18	21	432 2650-87	25
432 1574-21	13	432 2301-01	41	432 2650-19	21	432 2650-88	25
432 1574-22	13	432 2306-01	41	432 2650-20	21	432 2650-89	25
432 1574-23	13	432 2308-01	41	432 2650-24	21	432 2650-90	25
432 1589-01	13	432 2310-01	53	432 2650-25	21	432 2650-91	25
432 1609-51	13	432 2401-01	51	432 2650-26	21	432 2650-92	25
432 1609-52	13	432 2404-01	51	432 2650-27	21	432 2650-93	25
432 1631-01	49	432 2405-01	51	432 2650-28	23	432 2650-94	25
432 1649-01	7	432 2406-01	51	432 2650-29	23	432 2650-95	25
432 1653-01	7	432 2407-01	51	432 2650-30	23	432 2650-96	25
432 1654-01	7	432 2409-01	51	432 2650-31	23	432 2650-97	25
432 1673-01	49	432 2501-01	45	432 2650-32	23	432 2650-98	25
432 1828-01	15	432 2502-01	45	432 2650-33	23	432 2651-51	23
432 1843-02	15	432 2505-01	45	432 2650-34	23	432 2652-06	25
432 1858-01	15	432 2506-01	47	432 2650-35	23	432 2652-07	25
432 1858-02	15	432 2507-01	47	432 2650-36	23	432 2652-08	25
432 1874-01	15	432 2508-02	47	432 2650-37	23	432 2652-09	25
432 1888-01	15	432 2511-01	47	432 2650-38	23	432 2652-10	25
432 1888-11*	15	432 2516-02	47	432 2650-39	23	432 2652-11	25
432 1950-02	15	432 2521-03	47	432 2650-40	23	432 2652-12	25
432 1951-01	15	432 2609-01	27	432 2650-41	23	432 2652-13	25
432 1955-01	15	432 2609-01	29	432 2650-42	23	432 2652-14	25
432 1956-01	15	432 2609-02	29	432 2650-43	23	432 2652-15	25
432 1960-01	17	432 2609-50	29	432 2650-44	23	432 2652-16	25
432 1962-01	15	432 2609-51	27	432 2650-45	23	432 2652-17	25
432 2004-01	11	432 2609-70	27	432 2650-46	23	432 2652-18	25
432 2019-01	21	432 2620-02	15	432 2650-47	23	432 2652-19	25
432 2027-01	29	432 2620-06	15	432 2650-48	23	432 2652-20	25
432 2040-01	11	432 2620-07	15	432 2650-49	23	432 2652-21	25
432 2040-02	11	432 2620-08	15	432 2650-50	23	432 2652-22	25
432 2040-10	11	432 2630-01	29	432 2650-51	23	432 2652-23	25
432 2052-01	11	432 2630-02	29	432 2650-52	23	432 2652-24	25
432 2052-02	11	432 2630-03	29	432 2650-53	23	432 2652-25	25
432 2059-01	11	432 2630-04	29	432 2650-54	23	432 2652-26	25
432 2059-02	11	432 2630-06	29	432 2650-55	23	432 2652-27	25

Numerical index/Numerical index

Art.No/Réf. article	Page/Page	Art.No/Réf. article	Page/Page	Art.No/Réf. article	Page/Page	Art.No/Réf. article	Page/Page
432 2652-28	27	432 3082-43	35	432 3093-32	35	438 7126-10	33
432 2652-29	27	432 3082-46	43	432 3093-75	35	438 7126-11	33
432 2652-30	27	432 3082-47	35	432 3094-16	35	438 7126-12	33
432 2652-31	27	432 3082-50	35	432 3094-25	35	438 7126-13	33
432 2652-32	27	432 3082-51	35	432 3094-41	33	438 7126-14	33
432 2652-33	27	432 3082-56	35	432 3095-04	35	438 7126-15	33
432 2652-34	27	432 3082-58	31	432 3095-15	33	438 7126-16	33
432 2652-35	27	432 3082-59	35	432 3095-25	35	438 7126-17	33
432 2652-36	27	432 3082-70	19	432 3095-27	35	438 7126-18	33
432 2652-37	27	432 3082-75	31	432 3096-10	31	438 7126-20	33
432 2652-38	27	432 3082-77	7	432 3096-89	31	438 7126-22	33
432 2652-39	27	432 3082-78	33	432 3096-92	33	438 7126-25	33
432 2652-40	27	432 3082-86	39	432 3097-05	31	438 7126-26	33
432 2652-41	27	432 3082-89	35	432 3097-16	31	438 7126-27	33
432 2720-01	21	432 3082-99	31	432 3097-20	35	438 7126-28	33
432 2720-02	21	432 3083-20	35	432 3097-92	33	438 7126-29	33
432 2720-03	21	432 3083-30	35	432 3098-14	31	438 7126-30	33
432 2720-04	21	432 3083-32	35	432 3098-32	35	438 7126-31	33
432 2720-05	21	432 3083-75	33	432 3098-51	43	438 7126-32	33
432 2720-06	21	432 3084-03	31	432 3106-01	39	438 7300-87	57
432 2720-08	21	432 3084-16	35	432 3182-02	35	438 7300-88	57
432 2720-09	21	432 3084-25	35	432 3182-11	31	438 7950-01	39
432 2720-10	21	432 3084-41	33	432 3182-43	47	438 7950-02	39
432 2720-11	21	432 3085-04	35	432 3182-45	43	438 8102-06	47
432 2720-12	21	432 3085-15	33	432 3182-52	39	438 8103-01	51
432 2720-13	21	432 3085-25	35	432 3182-61	29	438 8155-05	13
432 2720-17	21	432 3085-27	35	432 3182-72	29	438 8156-01	7
432 2720-18	21	432 3086-10	31	432 3182-78	29	438 8156-03	7
432 2750-01	29	432 3086-89	31	432 3182-94	31	438 8158-02	19
432 2844-01	11	432 3086-92	33	432 3182-94	35	438 8762-01	57
432 2905-02	17	432 3087-05	31	432 3192-02	35	438 8762-11	57
432 2933-02	57	432 3087-16	31	432 3192-11	31	438 8785-01	39
432 2933-03	57	432 3087-20	35	432 3192-45	43	438 8786-02	39
432 2945-01	39	432 3087-92	33	432 3192-52	39	438 8787-01	39
432 2951-05	7	432 3088-14	31	432 3192-61	29	438 8791-01	57
432 2952-03	7	432 3088-32	35	432 3192-72	29	438 8793-01	57
432 2953-06	7	432 3088-51	43	432 3192-78	29	438 8796-01	57
432 2954-11	39	432 3092-04	31	432 3192-94	31	438 8797-01	39
432 2954-13	39	432 3092-15	35	432 3907-01	31	438 9555-11	31
432 2954-14	39	432 3092-16	35	432 3908-01	31	438 9555-12	31
432 2958-01	49	432 3092-17	35	432 3909-01	31	438 9561-01	17
432 2960-03	39	432 3092-19	35	432 3910-01	31	438 9563-01	9
432 2976-01	39	432 3092-25	39	432 4312-01	15	438 9564-01	31
432 2977-01	9	432 3092-26	31	432 4312-02	15	438 9564-01	33
432 2981-01	33	432 3092-35	31	432 7126-19	33	438 9635-10	39
432 2982-01	19	432 3092-36	31	438 0051-01	45	438 9635-11	39
432 2982-02	19	432 3092-41	35	438 0052-01	45	438 9678-04	39
432 2984-01	39	432 3092-42	31	438 0053-01	45	438 9678-12	39
432 2985-01	7	432 3092-43	35	438 0054-01	45	438 9678-14	39
432 2986-01	39	432 3092-46	43	438 0055-01	45	438 9705-21	19
432 2987-01	55	432 3092-47	35	438 0056-03	41	438 9799-01	37
432 2987-02	55	432 3092-50	35	438 0056-04	41	438 9799-02	19
432 2991-01	19	432 3092-51	35	438 0083-01	47	438 9799-03	19
432 3045-01	39	432 3092-56	35	438 0299-01	33	438 9799-12	37
432 3076-01	39	432 3092-58	31	438 0299-01	35	471 2265-69	47
432 3082-04	31	432 3092-59	35	438 4062-01	15	471 2442-42	47
432 3082-15	35	432 3092-70	19	438 4125-01	53	471 2464-18	47
432 3082-16	35	432 3092-70	35	438 5335-01	11	471 2937-01	49
432 3082-17	35	432 3092-75	31	438 7126-02	33	471 4601-01	57
432 3082-19	35	432 3092-78	33	438 7126-03	33	471 4672-08	53
432 3082-25	39	432 3092-86	39	438 7126-04	33	471 4792-01	41
432 3082-26	31	432 3092-89	35	438 7126-05	33	471 4835-01	47
432 3082-35	31	432 3092-94	35	438 7126-06	33	471 6860-15	43
432 3082-36	31	432 3092-99	31	438 7126-07	33	471 6860-16	43
432 3082-41	35	432 3093-20	35	438 7126-08	33	471 6860-17	43
432 3082-42	31	432 3093-30	35	438 7126-09	33	471 6860-18	43

Numerical index/Numerical index

Art.No/Réf. article	Page/Page	Art.No/Réf. article	Page/Page	Art.No/Réf. article	Page/Page	Art.No/Réf. article	Page/Page
471 6860-19	43	471 8555-03	7	472 9913-64	13		
471 6860-20	43	471 8624-01	49	472 9913-72	17		
471 7565-21	11	471 8636-20	53	472 9929-25	37		
471 7705-03	19	471 8641-02	11	725 2366-61	15		
471 7807-02	7	471 8644-02	41	725 2461-51	7		
471 7818-01	45	471 8688-13	41	725 2464-51	7		
471 7859-12	39	471 8688-13	45	725 2465-71	7		
471 7859-16	39	471 8688-14	53	728 8362-11	15		
471 7871-04	45	471 8690-28	53	732 2112-01	27		
471 7871-07	41	471 8690-33	53	732 2116-42	45		
471 7871-07	47	471 8693-21	41	732 2118-01	7		
471 7873-02	47	471 8695-01	49	732 2118-01	13		
471 7887-01	47	471 8697-01	49	732 2118-01	19		
471 7958-02	31	471 8750-11	33	732 2122-01	19		
471 7958-02	33	471 8750-11	39	734 1153-09	45		
471 7958-02	39	471 8759-01	39	734 1178-01	19		
471 7958-02	57	471 8759-51	39	735 3147-00	13		
471 7980-01	11	471 8767-01	39	735 9630-01	13		
471 8118-07	47	471 8780-01	57	736 2816-51	41		
471 8124-05	47	471 8780-02	57	736 2825-51	41		
471 8126-38	49	471 8780-31	57	736 2825-51	47		
471 8128-54	47	471 8780-32	57	736 2831-51	47		
471 8128-62	47	471 8792-01	33	736 2837-51	47		
471 8139-01	47	471 8793-01	33	736 2840-51	47		
471 8139-16	47	471 8826-01	19	736 2846-51	41		
471 8143-01	53	471 8827-01	19	736 2846-51	47		
471 8175-01	41	471 8861-01	31	740 4206-00	41		
471 8180-10	9	471 8861-01	33	740 4209-00	53		
471 8192-01	7	471 8988-11	31	741 5109-25	41		
471 8195-01	45	471 8993-01	33	744 3113-06	49		
471 8199-01	41	471 8995-11	33	762 1116-10	53		
471 8210-70	43	471 8995-12	33	762 1182-10	39		
471 8210-71	43	471 8997-03	33	762 1215-10	39		
471 8210-78	43	471 9222-59	13	762 9102-05	41		
471 8210-79	43	471 9550-54	7	877 5211-08	41		
471 8240-63	43	471 9550-59	7				
471 8240-69	43	471 9558-12	31				
471 8240-90	43	471 9573-02	39				
471 8240-91	43	471 9608-01	55				
471 8243-04	47	471 9628-32	29				
471 8243-05	47	471 9628-33	29				
471 8243-07	47	471 9635-10	39				
471 8243-08	47	471 9635-11	39				
471 8243-10	47	471 9678-94	39				
471 8279-03	49	471 9679-01	17				
471 8279-08	49	471 9680-01	57				
471 8322-03	19	471 9822-21	7				
471 8323-01	13	471 9822-22	7				
471 8328-02	13	471 9822-23	7				
471 8328-05	7	471 9822-24	7				
471 8328-08	7	471 9822-99	7				
471 8328-09	7	471 9823-41	7				
471 8342-11	53	471 9827-21	7				
471 8342-13	19	471 9827-22	7				
471 8342-15	11	471 9827-23	7				
471 8342-23	19	471 9827-24	7				
471 8342-47	17	471 9883-02	53				
471 8344-36	15	471 9884-01	53				
471 8356-06	19	472 6761-01	41				
471 8404-02	15	472 9913-01	15				
471 8413-01	7	472 9913-08	7				
471 8458-02	15	472 9913-22	7				
471 8502-14	13	472 9913-33	7				
471 8502-34	7	472 9913-43	31				
471 8502-34	9	472 9913-43	33				
471 8527-01	15	472 9913-63	7				

WASCOMAT

461 Doughty Blvd., Inwood, L.I., N.Y. 11096-0338

Telephone: 516-371-4400

Parts and Service FAX: 516-371-4029

Sales and Administration FAX: 516-371-4204