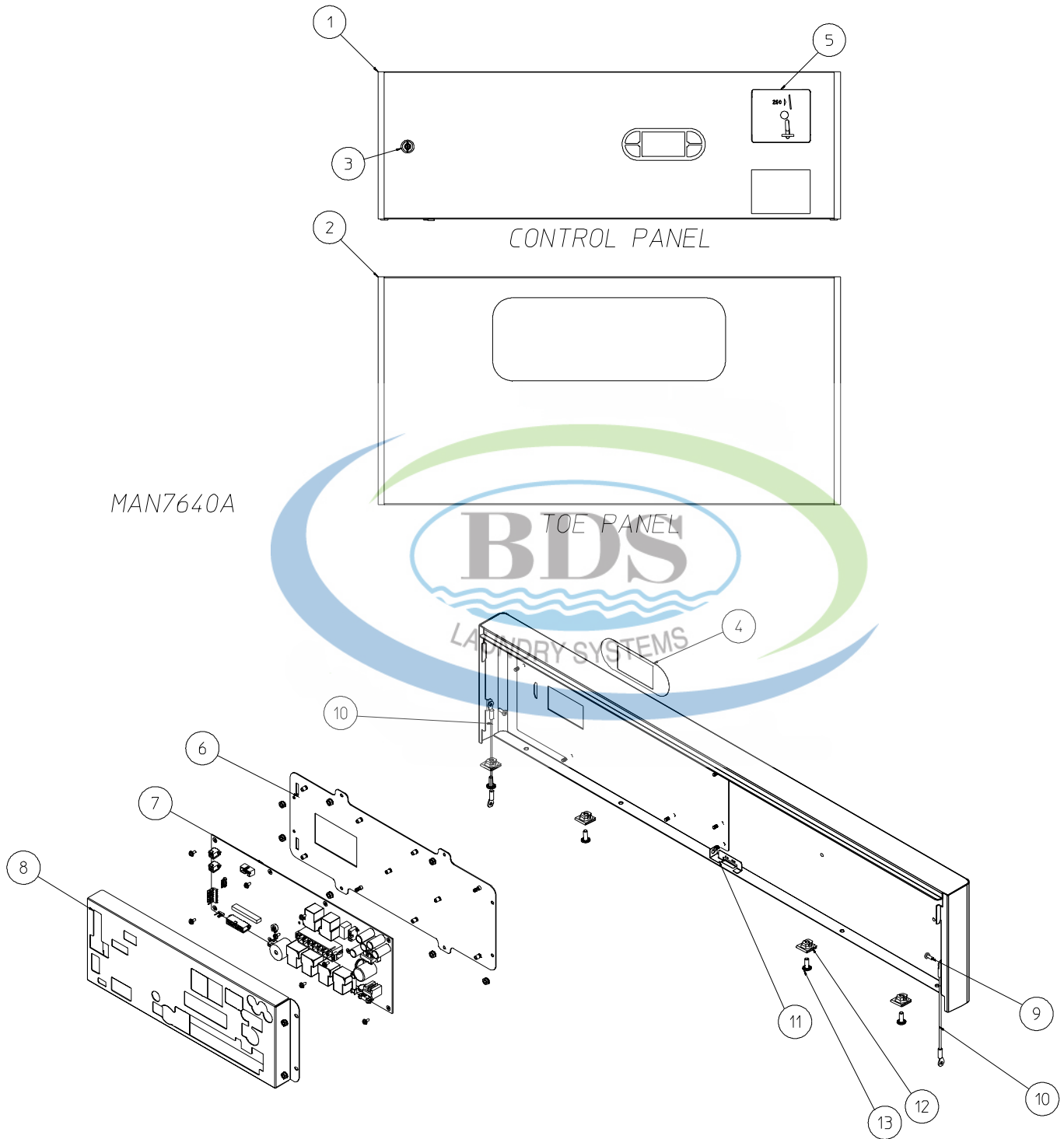


MAN7595C

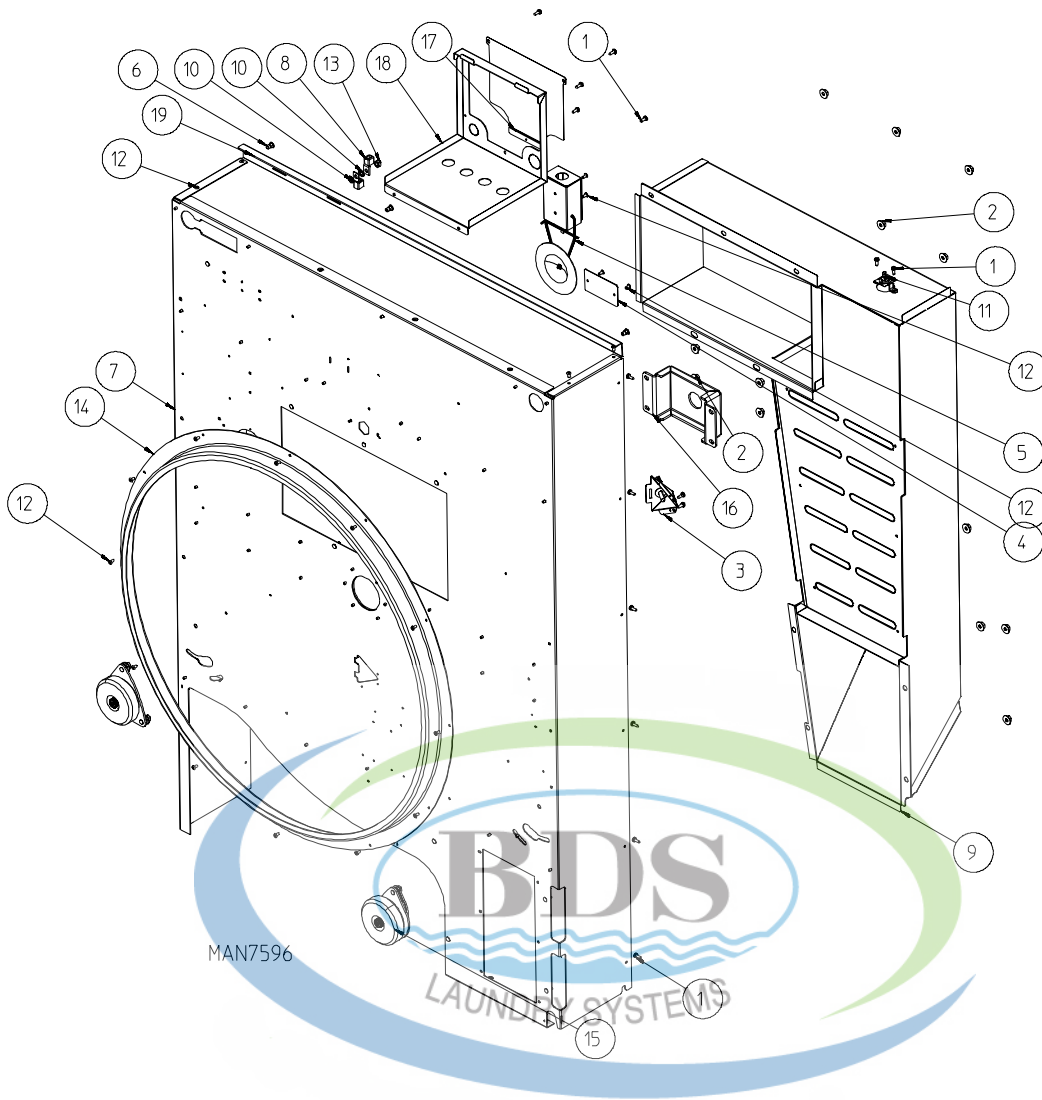
<u>Illus. No.</u>	<u>Part No.</u>	<u>Qty.</u>	<u>Description</u>
1	822363	1	2-Piece Back Guard Assembly (gas and electric)
	320674	1	Top Back Guard (gas and electric)
	323372	1	Bottom Back Guard
2	815081	1	Tall Left Side Panel Assembly
3	815082	1	Tall Right-Hand Side Panel Assembly
4	815077	1	Top Panel Assembly
5	153064	2	1/4-20 x 1/2" Socket Cap Screw
6	153072	2	1/4" High Collar Lock Washer
7	185426	1	Dual Screw Backup Washer
8	153048	2	Inner Friction Pad
	354217	1	3/4" Plate Spacer ... Not Illustrated
	185240	1	Extended Tumbler Shaft ... Not Illustrated
9	851530	2	Rear Wheel Bracket Assembly (refer to Complete Tumbler Wheel Assembly on page 14)
10	131819	1	DPDT Reversing Relay 120
11	851374	1	Galvanized Tumbler Assembly
	851557	1	Stainless Steel Tumbler Assembly
	115909	1	Rear Tumbler Felt ... Not Illustrated
	115911	1	Front Tumbler Felt ... Not Illustrated
12	102415	1	15 Rib Drive Belt
13	887256	1	Non-Coin Front Support Panel with Auto (black)
	887257	1	Coin Front Support Panel (black)
14	881351*	1	Main Door Assembly with Handle (painted)
	851532	1	Main Door Assembly with Handle (stainless steel)
	103067	3	Door Hinge ... Not Illustrated
15	185183*	1	Main Door Handle
	185182	2	Standoff for Door Handle
16	818370	1	Rotation Sensor
17	851384	1	Coin Vault
	819286	1	Coin Vault Jumper Harness ... Not Illustrated
18	125916	1	Coin Box with 2 Keys (each lock keyed different)
19	154059	4	U-Nut Retainer
20	154364	4	#10-16 x 1/2" Phillips Truss Head Screw
21	851529	2	Front Wheel Bracket Assembly (refer to Complete Tumbler Wheel Assembly on page 14)
22	102397	1	Door Gasket
23	819365	1	Moisture Sensor

* Specify color when ordering.

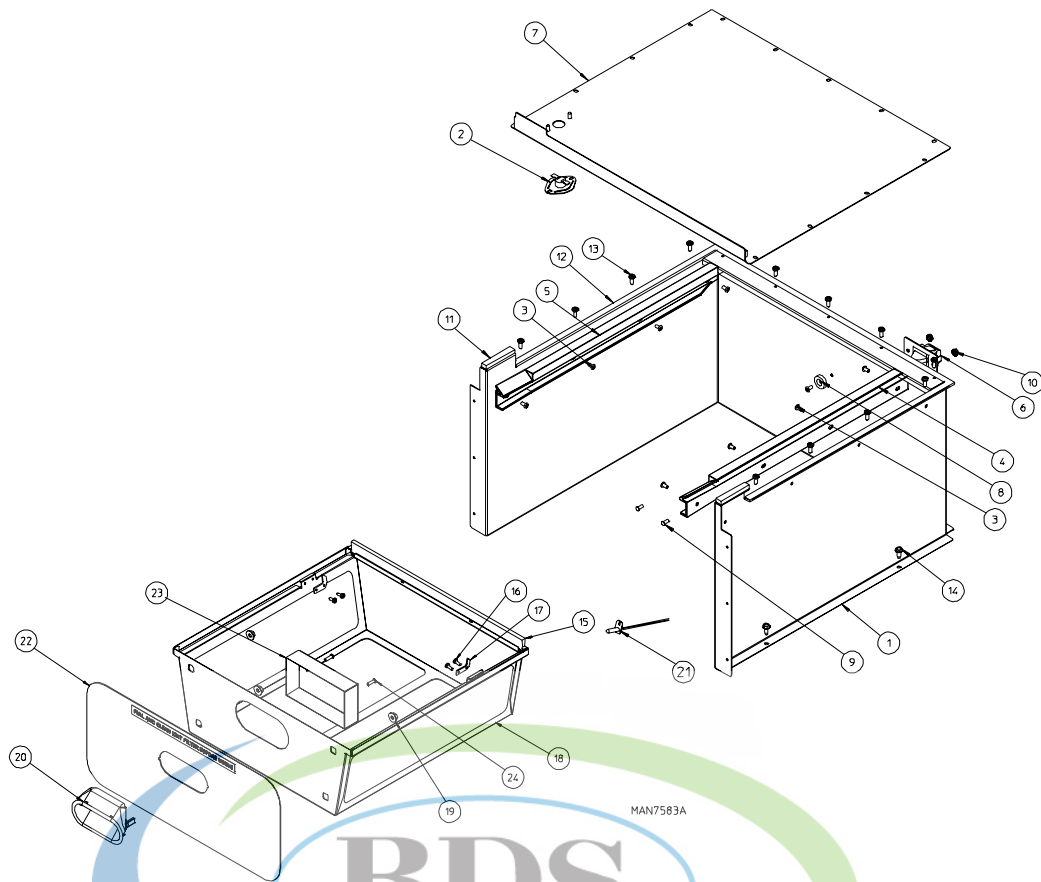


<u>Illus. No.</u>	<u>Part No.</u>	<u>Qty.</u>	<u>Description</u>
1	828423	1	Phase 8 Coin Control Panel Assembly Complete
	851518	1	Phase 8 Non-Coin Control Panel Assembly Complete
	828379	1	Phase 8 Coin Control Panel (panel Only)
	851517	1	Phase 8 Non-Coin Control Panel (panel Only)
2	814515*	1	Toe Panel (painted)
	814584	1	Toe Panel (stainless steel)
3	160070	1	XX4451 Lock Assembly
	160169	2	ZB7 Key
4	112605	1	3 Button Membrane Switch (coin Only)
	112586	1	Non-Coin Keypad
5	818213	1	25¢ Coin Acceptor Assembly with Optic Switch
	887041	1	Optic Switch ONLY (for 25¢ coin acceptor)
6	819508	1	Control Mount Assembly
7	887092	1	Phase 8 Microprocessor without Fire Suppression System (non-coin Only)
	887093	1	Phase 8 Microprocessor with Fire Suppression System (non-coin Only)
	884479	1	Phase 8 Coin Microprocessor (coin Only)
	819541	1	Coin Block Jumper Harness (non-coin Only)
	136116	1	3-Amp Fuse
	136056	1	20-Amp Fuse
8	350250	1	Computer Board Cover
9	150331	2	#8-18 x 1/2" TORX® Screw
10	121530	2	Panel Support Cable (for coin models)
	350303	2	Panel Support Bracket (for non-coin models) ... Not Illustrated
11	819196	1	Main Door Switch Assembly
	813411	1	Door Switch Extension Harness ... Not Illustrated
12	154059	4	Tinnerman U-Nut Retainer
13	154364	4	#10-16 x 1/2" Phillips Truss Head Screw

* Specify color when ordering.

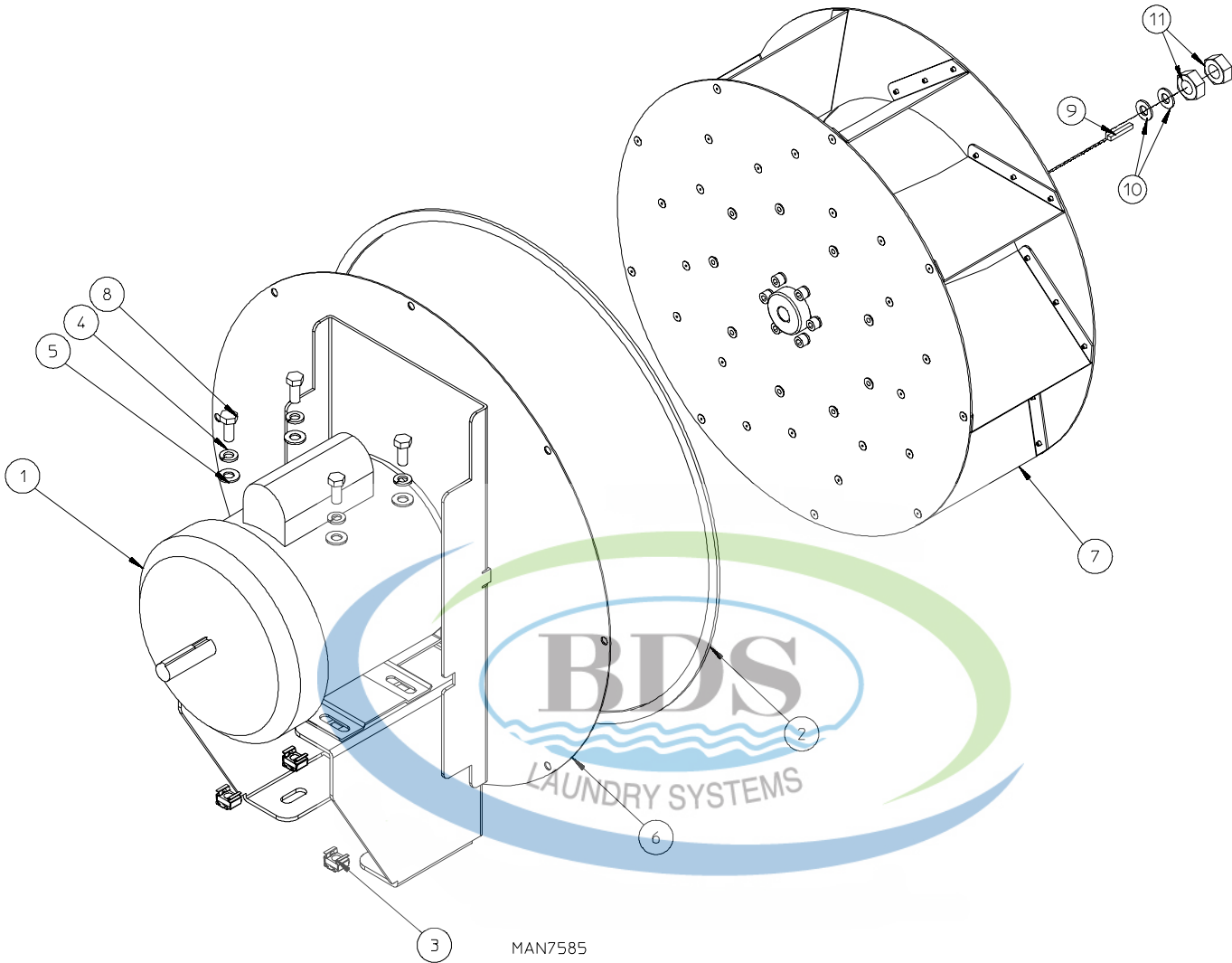


Illus. No.	Part No.	Qty.	Description
1	150331	22	#8-18 x 1/2" Pan Head TORX® Screw
2	152014	13	1/4-20 Serrated Hex Flange Nut
3	851258	1	Axial Probe Assembly
4	318691	1	Cover Plate for Models without S.A.F.E.
5	828238	1	Linkageless Sail Switch Assembly
6	152111	3	#10-32 Hex Body Rivnut
7	825961	1	Rear Tumbler Support Panel Complete (gas and electric) (includes illus. nos. 1 through 17)
	822358	1	Rear Tumbler Support Panel Only
8	121010	2	L70 14-4 Terminal Lug
9	851262	1	Heat Duct
10	153021	2	1/4" Star Washer
11	183112	1	205° Gas Hi-Limit Thermostat
12	154200	2	5/32" Pop Rivet
13	152002	1	1/4-20 Hex Nut
14	185156	1	Rear Bulkhead with Mounting Holes
15	851530	2	3-1/2" Wheel Bracket with 2 Shims Assembly
16	350228	1	Thrust Bearing Box
17	350238	1	Electric Box Cover Plate
18	319579	1	Rear Electric Box
19	315343	1	Deep Rear Tumbler Support Top Flange

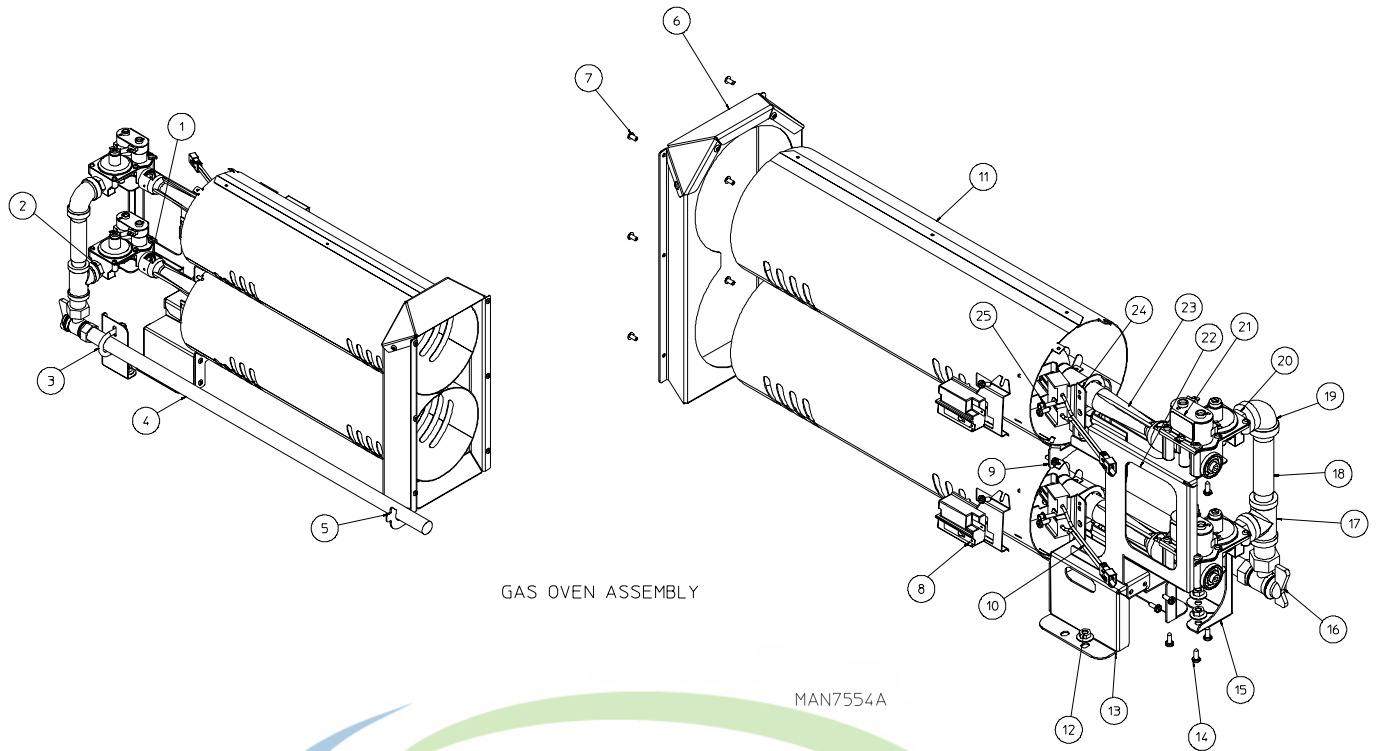


Illus. No.	Part No.	Qty.	Description
1	834719	1	Large Lint Box Assembly Complete
	335058	1	Large Lint Box
2	130119	1	190° Thermostat
3	154200	9	#5-32 Pop Rivet
4	185215	1	Lint Drawer Rail Right Side
5	185216	1	Lint Drawer Rail Left Side
6	819523	1	Lint Drawer Switch Assembly
	122002	1	Lint Drawer Switch ONLY
7	834720	1	Lint Box Top Assembly
8	102004	1	0.75 Round Magnet
9	153564	2	#8-32 x 0.375 Clinch Stud
10	153073	2	#8-32 Keps Nut
11	117605	2	1/4" x 3/8" Sponge Tape (sold by the foot)
12	117604	1	1/8" x 3/8" Sponge Tape (sold by the foot)
13	150331	13	#8-18 x 0.5 TORX® Screw
14	150300	7	#10-16 x 0.75 Hex Washer
15	170171	1	Lint Drawer Brush
16	150331	4	#8-18 x 0.5 TORX® Screw
17	185423	2	Lint Drawer Stop
18	828429	1	Lint Drawer Assembly Complete (painted)
19	851536	4	Lint Drawer Clinch Nut Plate
20	185148*	1	Lint Drawer Handle (painted)
21	836028	1	Exhaust Temperature Probe
22	828429	1	Lint Handle Black with Graphics
23	333693	1	Handle Cup
24	150334	2	#8-16 x 5/8" Pan Head Plastic Screw

* Specify color when ordering.

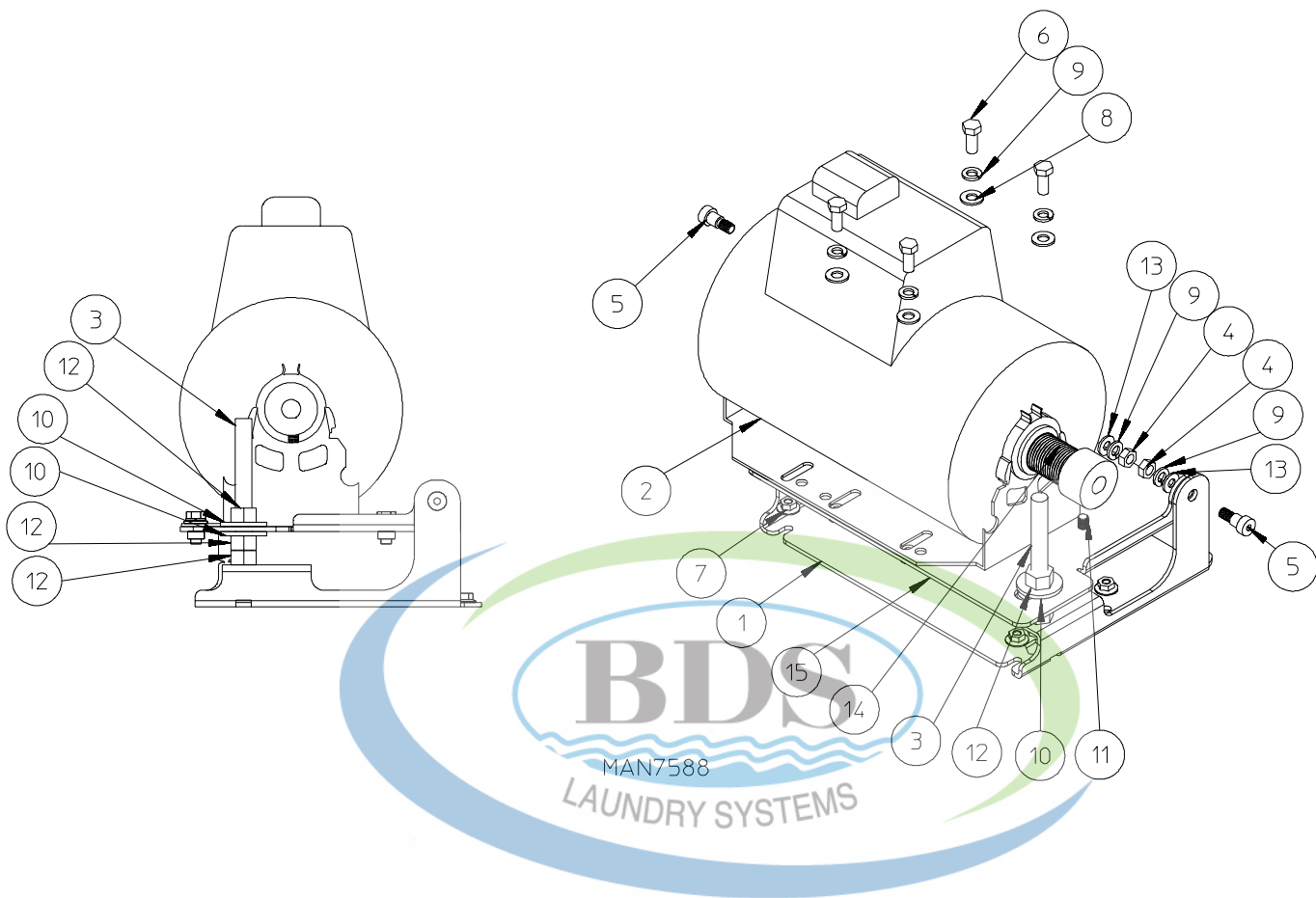


<u>Illus. No.</u>	<u>Part No.</u>	<u>Qty.</u>	<u>Description</u>
1	834723	1	Large Blower Motor Assembly Complete (60 Hz)
	100069	1	3/4 hp Blower Motor (60 Hz)
2	117604	2	1/8" x 3/8" Sponge Tape (sold by the foot)
3	154000	5	5/16-18 Tinnerman Clip
4	153002	4	5/16" Lock Washer
5	153001	4	5/16" Flat Washer
6	834724	1	Large Motor Mount
7	822364	1	16" Riveted Impellor (1/2" Bore)
8	150501	4	5/16-18 x 3/4" Hex Bolt
9	100702	1	1/8" x 1/8" x 1-1/2" Key
10	153050	2	1/2" S.A.F.E. Flat Washer
11	152006	2	1/2-20 Left-Hand Jam Nut

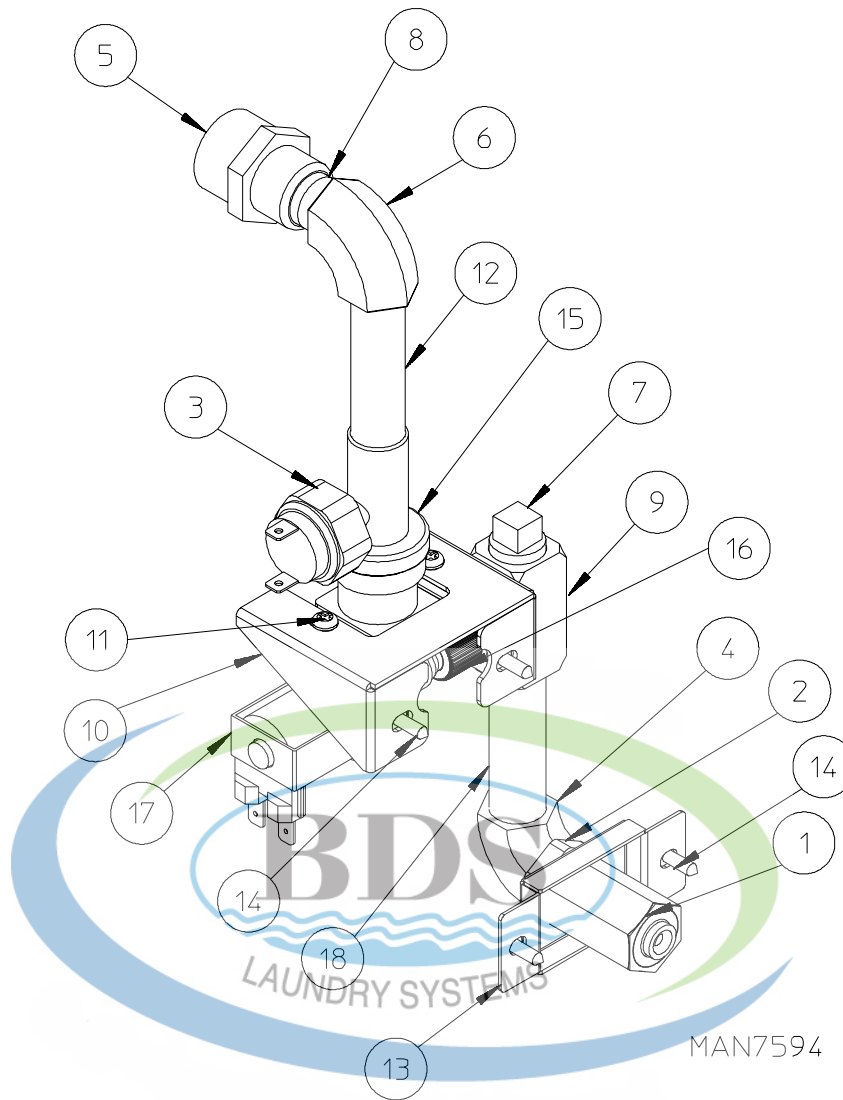


Illus. No.	Part No.	Qty.	Description
1*	140880	2	#22 Orifice Natural Gas
	140905	2	#44 Orifice Liquid Propane
	887296	1	Liquid Propane Conversion Kit
2	183137	2	3/8" Close Nipple Black Iron
3	154355	1	U-Bolt with Nuts for 1/2" Black Pipe
4	143351	1	1/2" x 31-3/4" Black Pipe
5	350226	1	Rear Gas Pipe Support
6	851387	1	Burner Funnel Transition Assembly
7	154200	14	5/32" Pop Rivet
8	130500	2	Radiant Heat Sensor
9	350217	1	Burner Funnel Top Lip Bracket
10	128910	2	Hot Surface Ignitor
11	815116	1	60 Hz Natural Gas Dual Burner Assembly
	884372	1	60 Hz Liquid Propane Gas Dual Burner Assembly
	350219	2	Round Gas Burner Funnel ONLY
12	152014	4	1/4-20 Free Spin Nut
13	350221	1	Dual Round Gas Burner Support Bracket
14	150331	19	#8-18 x 1/2" Pan Head TORX® Screw
15	350253	1	Front Gas Pipe Bracket
16	141321	1	Gas Shutoff Assembly
17	142820	1	1/2" x 1/2" x 1/2" Black Iron Tee
18	142703	1	1/2" x 4" Black Iron Pipe
19	142500	1	1/2-90° Elbow
20	142953	2	3/8" x 1/2" Steel Bushing
21	128944	2	25M Gas Valve 120 VAC 60 Hz
22	350220	1	Dual Gas Valve Bracket
23	183144	2	In-Shot Tube
24	185063	2	Ignitor Bracket
25	183145	2	Hot Surface Ignitor Mounting Screw

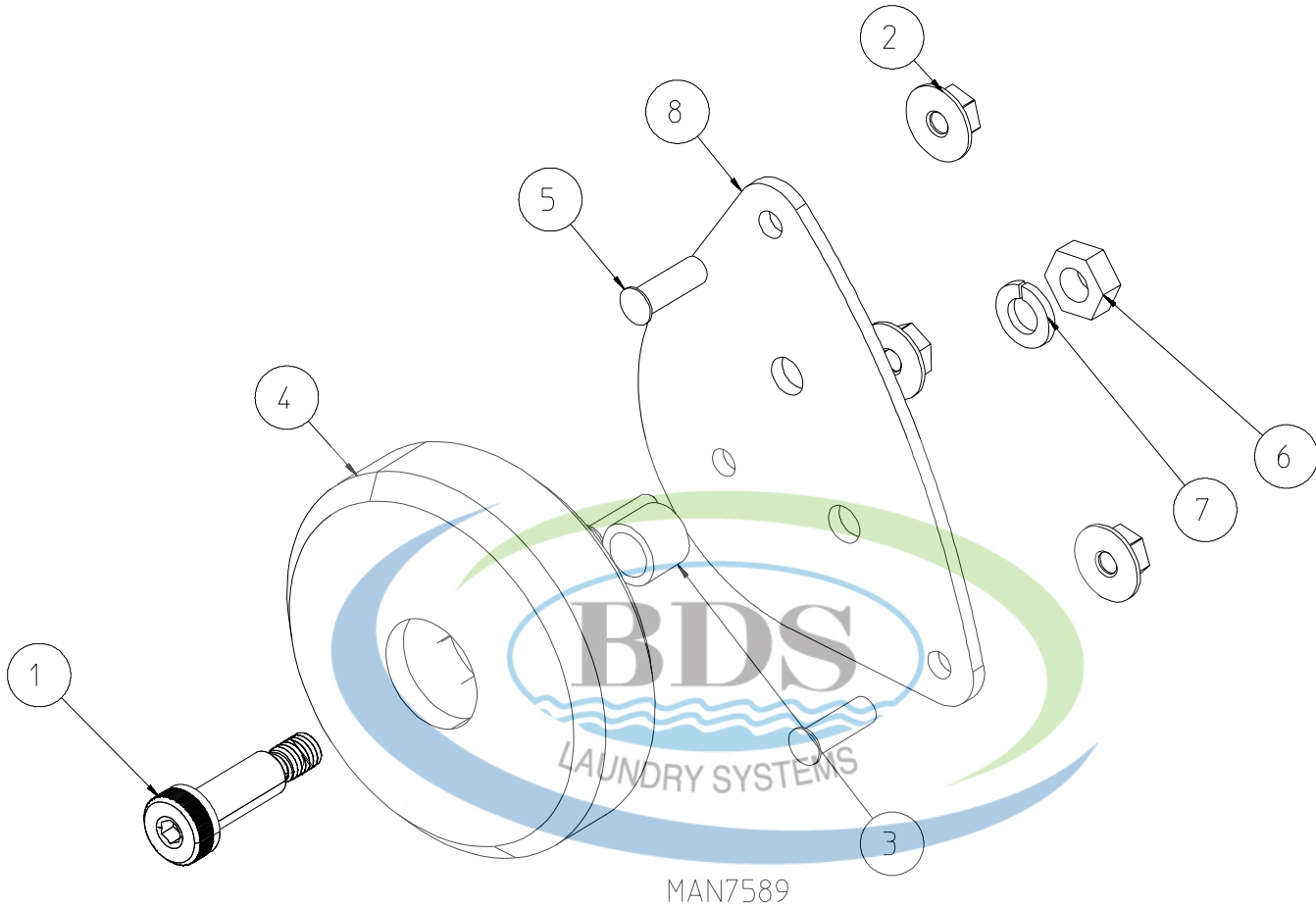
* Consult factory for elevation over 2,000 feet for correct burner orifice size.



Illus. No.	Part No.	Qty.	Description
1	350301	1	Motor Mount Base Plate
2	851570	1	Drive Motor Assembly Complete (60 Hz)
	884303	1	Drive Motor with Sheave (60 Hz)
3	150609	1	1/2-13 x 4-1/2" Tap Bolt
4	152004	2	5/16-18 Hex Nut
5	154266	2	3/8" x 3/8" Shoulder Screw
6	150501	4	5/16-18 x 3/4" Tap Bolt Hex Head
7	152014	5	1/4-20 Free Spin Wash Nut
8	153001	4	5/16" Flat Washer
9	153002	6	5/16" Split Lock Washer
10	153033	2	1/2" x 1-3/8" Flat Washer
11	154321	1	5/16-24 x 3/8" Alan Setscrew
12	152011	3	1/2-13 Hex Nut
13	153018	2	1/4" Flat Washer
14	185420	1	60 Hz Motor Sheave
15	851543	1	Motor Platform Assembly



<u>Illus. No.</u>	<u>Part No.</u>	<u>Qty.</u>	<u>Description</u>
1	143581	1	3 GPM 3/8" N.P.T. Spray Nozzle
2	143303	1	3/8" N.P.T. Brass Lock Nut
3	136987	1	Water Jet Pressure Switch
4	143155	1	3/8" Brass Street Elbow
5	143025	1	3/4-11 NH x 3/8" N.P.T. Nylon Hose Adapter
6	143310	1	3/8" Brass 90° Elbow
7	143251	1	3/8" M.P.T. Brass Plug
8	143241	1	3/8" x Close Brass Nipple
9	143220	1	3/8" F.P.T. Brass Tee
10	319231	1	Water Valve Bracket
11	154338	2	M4 x 6mm Phillips Head Slotted Machine Screw
12	143242	1	3/8" x 2-1/2" Brass Nipple
13	318422	1	Spray Nozzle Bracket
14	150331	4	#8-18 x 1/2" Pan Head TORX® Screw
15	143182	1	3/4" GHT x 1/8" x 3/8" N.P.T. Brass Tee
16	143183	1	7/16-20 x 3/8" N.P.T. Brass Adapter
17	165120	1	Water Inlet Valve 24VDC
18	143323	1	3/8" x 3" Brass Nipple
	114110	1	S.A.F.E. Water Supply Warning Tag



Illus. No.	Part No.	Qty.	Description
1	154264	1	10 M8 x 25mm Shoulder Bolt
2	152014	3	1/4-20 Free Spin Wash Nut
3	154284	1	Tumbler Wheel Spacer
4	180060	1	3-1/2" Tumbler Support Wheel
5	153557	3	1/4-20 x 3/4" Self-Clinching Stud
6	154013	1	M8 Hex Nut
7	153002	1	5/16" Lock Washer
8	350196	1	1/2" Wheel Bracket
	851529	1	Front Wheel Assembly Complete
	851530	1	Rear Wheel Assembly Complete ... Not Illustrated
	350198	2	Rear Wheel Bracket Shim ... Not Illustrated (rear Only)

Duplicate all parts for rear wheel assembly.



