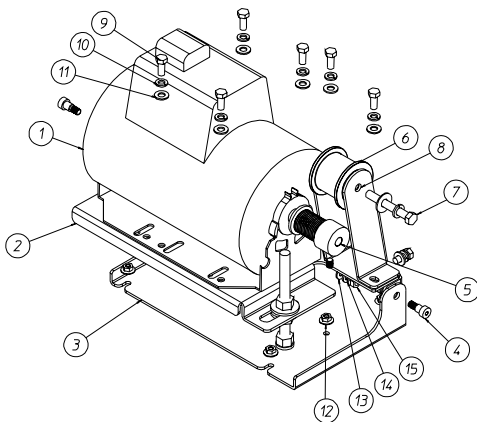


SEE DETAIL 1

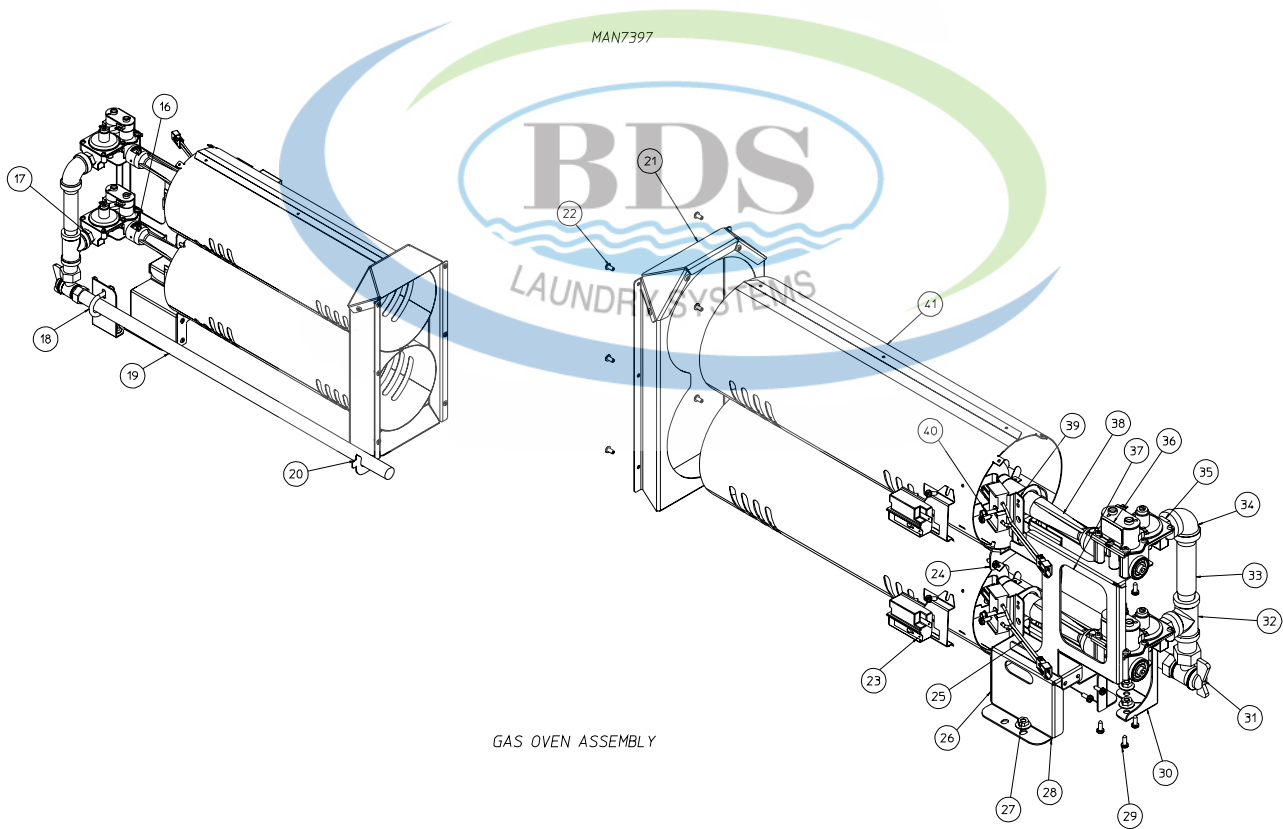
<u>Illus.</u>				<b>Detail # 1</b>				
<u>No.</u>	<u>P/N</u>	<u>Qty.</u>	<u>Description</u>	<u>Illus.</u>	<u>No.</u>	<u>P/N</u>	<u>Qty.</u>	<u>Description</u>
1	851399	1	(MDG 51 & 77) Back guard Assy for Gas & Electric	21	884361	1	Phase 8 Coin Control Panel (panel only)	
2	851253	1	(MDG 51) Left Side Panel Assy		884362	1	Phase 8 OPL Control Panel (panel only)	
	851345	1	(MDG 77) Left Side Panel Assy	22	350203	2	Strain Relief Door Guide Strip	
3	851255	1	(MDG 51) Right Side Panel Assy	23	350204	2	Strain Relief Cabinet Guide Strip	
	851343	1	(MDG 77) Right Side Panel Assy	24	112551	1	Coin Display Buttons	
4	851268	1	(MDG 51) Top Panel Assy	25	112588	1	Membrane Switch	
	851367	1	(MDG 77) Top Panel Assy		112586	1	OPL Keypad	
5	153064	2	1/4-20 x 1/2" Socket Cap Screws	26	135008	1	Tinted IR Cover	
6	153072	2	1/4 High Collar Lock Washer	27	112549	1	Clear Display Cover	
7	318891	1	Dual Screw Backup Washer	28	819421	1	Phase 8 Display Mount Assy	
8	354217	1	1/4 Plate Spacer	29	887101	1	Phase 8 Coin (Micro Processor Only/No S.A.F.E.)	
9	851372	2	Rear Wheel Assy Complete (see page 9 for details)		887093	1	Phase 8 OPL (Micro Processor Only/With S.A.F.E.)	
10	819295*	1	Large Lint Drawer Assy (Painted)		819286	1	Phase 8 OPL Vault Jumper (needed for OPL Processor Only)	
	851380	1	Large Lint Drawer Assy (Stainless Steel)	30	350250	1	Phase 8 Computer Board Cover	
11	851374	1	(MDG 51) Galvanized Tumbler Assy (includes illus. no's 5 - 8, 11, 40 - 46)	31	150303	2	Phillip Pan Head Screws	
	851347	1	(MDG 51) Stainless Steel Tumbler Assy (includes illus. no's 5 - 8, 11, 40 - 46)	32	150313	2	10-16 x 1/2 Torx Screws	
	851376	1	(MDG 77) Galvanized Tumbler Assy (includes illus. no's 5 - 8, 11, 40 - 46)	33	122200	1	Sail Switch	
	851370	1	(MDG 77) Stainless Steel Tumbler Assy (includes illus. no's 5 - 8, 11, 40 - 46)	34	154220	4	3/16 Steel Button Head Pop Rivet	
12	102409	1	(MDG 51) Drive Belt	35	160066	1	Offset Cam for Lock	
	102410	1	(MDG 77) Drive Belt	36	154004	1	Twin Speed Nut	
13	884344	1	Front Tumbler Support Panel (assy complete)	37	160069	1	Lock (ZB7) (does not include cam or key)	
	851371	2	Front Wheel Assy (see Detail 5, page 8 - 9)	38	160169	2	Key (ZB7)	
14	851351*	1	Main Door Assy Complete w/ Handle	39	819196	1	Main Door Switch Assembly	
	851532	1	Stainless Steel Main Door w/ Handle (assy complete)		813411	1	Door Switch Extension Harness (not illustrated)	
	103067	3	Door Hinge (not illustrated)	40	115911	1	Front Tumbler Felt	
15	884360	1	Main Door Handle (MT)		401010	-	3M Mastic for Felt Installation (5 Fl. oz. tube)	
16	818370	1	Rotation Sensor	41	150126	3	.25 -20 x.50 Button Head Cp Screw (for models as of July 17, 2006)	
17	851384	1	Coin Vault Assembly (does not include coin box)		150123	3	.25 -20 x.25 Button Head Cp Screw (for models prior to July 17, 2006)	
	122002	1	Coin Vault Switch (not illustrated)	42	102004	1	Magnet	
18	125916	1	Coin Box with 2/Keys (note: each lock keyed differently)	43	154217	1	1/8" Pop Rivet	
19	851513	1	Phase 8 Coin Control Panel (assy complete)	44	115909	1	Rear Tumbler Felt	
	851394	1	Phase 8 OPL Control Panel (assy complete)		401010	-	3M Mastic for Felt Installation (5 Fl. oz. tube)	
	818213	1	25¢ Coin Acceptor Assy w/ Optic Switch (United States)	45	185240	1	Tumbler Shaft	
	819261	1	Programmable Coin Acceptor Assy w/ Optic Switch (Canada)	46	153048	2	Inner Friction Pad	
	887041	1	Optic Switch Only	<b>Options</b>				
20	185121*	1	Lower Panel (Painted)		851409	1	(MD51) 11" Dryer Pedestal (see page 9)	
	185122	1	Lower Panel (Stainless Steel)		851411	1	(MD77) 11" Dryer Pedestal (not illustrated) (see page 9)	
				<b>FUSES:</b>				
					136056	1	20 amp Slo Blo Fuse (Controls)	
					136116	1	3amp Fuse (Display)	

\* Specify color when ordering.

Detail # 2



DRIVE MOTOR ASSEMBLY



GAS OVEN ASSEMBLY

# Parts List

## Detail # 2

<u>Illus.</u>				<u>Illus.</u>			
<u>No.</u>	<u>P/N</u>	<u>Qty.</u>	<u>Description</u>	<u>No.</u>	<u>P/N</u>	<u>Qty.</u>	<u>Description</u>
<b>Drive Motors</b>				18	154355	1	U-Bolt with Bolts for 1/2 Black Pipe
1	851440	1	(MD51) 1HP 60hz Motor AssywMount	19	143344	1	(MD51) 1/2 x 26" Black Pipe - Only
	181127	1	(MD51) 1 HP 60hz Motor only		142636	1	(MD77) 1/2 x 36" Black Pipe - Only
1	851442	1	(MD77) 1HP 60hz Motor AssywMount	20	350226	1	Rear Gas Pipe Support
	181127	1	(MD77) 1 HP 60hz Motor only	21	851387	1	Burner Funnel Transition Assy
2	851285	1	Motor Mount Clinch Nut Assy	22	154200	14	5/32 Pop Rivets
3	851284	1	Motor Mount Base Assy	23	130500	2	Radiant Heat Sensor
4	154266	2	5/16-18 Shoulder Bolt	24	350217	1	Burner Funnel Top Lip Bracket
5	-----	1	Motor Sheave Only (part of motor)	25	128910	2	Hot Surface Ignitor 80v
6	100281	1	Idler Wheel	26	350218	1	Burner Funnel Support Bracket
7	150634	1	3/8 x 2 3/4 Hex Cap Screw	27	152014	4	1/4-20 Free Spin Nut
8	851510	1	Idler Arm	28	350221	1	Dual Round Gas Burner Support Bracket
9	150501	7	5/16-18 x 3/4 Hex Head Bolt	29	150331	19	8-18 x 1/2 Pan Head Torx Screw
10	153002	9	Split Lock Washer	30	350253	1	Front Gas Pipe Bracket
11	153001	7	Flat Washer	31	881367	1	Gas Shut-off Assembly
12	152014	5	Free Spin Wash nut	32	142820	1	1/2 x 1/2 x 1/2 Black Iron Tee
13	153018	2	1/4 Flat Washer	33	142703	1	1/2 x 4" Black Iron Pipe
14	153002	9	5/16 Split Lock Washer	34	142500	1	1/2 - 90 Degree Elbow
15	152004	2	5/16-18 Hex Nut	35	142953	2	3/8 x 1/2 Steel Bushing
				36	128944	2	25M Gas Valve 120vac 60Hz (Natural Gas Only)**
				37	350220	1	Dual Gas Valve Bracket
<b>Burner Assemblies</b>				38	183144	2	In-shot Tube
	851386*	1	(MD51) 60hz Natural Gas Dual Burner Assy	39	185063	2	Igniter Bracket
	851390*	1	(MD77) 60hz Natural Gas Dual Burner Assy	40	183145	2	Hot Surface Ignitor Mounting Screw
	140877	2	(MD51) #29 Orifice (Natural Gas Only)	41	350219	2	(MD51) Round Gas Burner Funnel
	140880	2	(MD77) #22 Orifice (Natural Gas Only)		350223	2	(MD77) Round Gas Burner Funnel
LP*	884248	1	(MD51) LP Conversion Kit				
LP*	884249	1	(MD77) LP Conversion Kit				
17	183137	2	3/8 Close Nipple Black Iron				

**Note:**

\* Consult factory for elevation over 2,000ft for correct burner orifice size

\*\* To convert valve to L.P. Gas, Kit P/N 140414 is required.

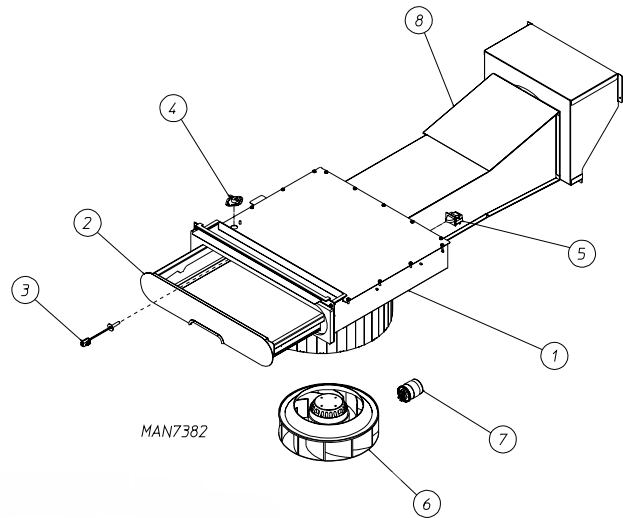
**Detail # 3**

Illus.

No. P/N Qty. Description

**Lint & Blower Assembly**

1	819299	1	Large Lint Box Assy (includes illus. 3 through 5 only)
2	819295	1	Large CRS Lint Draw Assy
3	818369	1	Exhaust Temperature Probe Assy
4	130119	1	190 degree Exhaust Hi-Limit Sensor
5	122002	1	Lint Door Switch
6	887029	1	115v Impellor, Capacitor & Harness Assy
	813406	Ref	Phase 8 Blower Motor Harness 115v only
	887031	1	230v Impellor, Capacitor and Harness Assy
	813406	Ref	Phase 8 Blower Motor Harness 230v only
	150687	4	Impellor mounting screws (not illustrated)
	153007	4	Lock washers for impellor mounting screws (not illustrated)
7	100618	1	Capacitor for 115v blower impellor
	100670	1	Capacitor for 230v blower impellor
8	851292	1	(MD51) Blower Housing Final Assy
	851365	1	(MD77) Blower Housing Final Assy



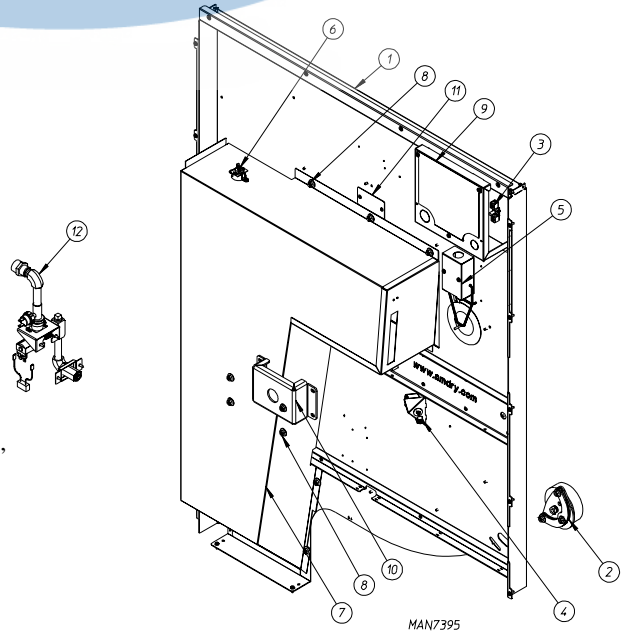
**Detail # 4**

Illus.

No. P/N Qty. Description

**Rear Tumbler Support Panel Assembly**

1	851263	1	Rear Tumbler Support Assy
2	851372	2	3 1/2 inch Rear Wheel Assy (see Detail 5 for parts breakdown)
3	121010	2	Terminal Lug
4	851258	1	Axial Probe Assy
5	818692	1	Switch Assy Complete
	122200	2	Sail Switch Only
6	183112	1	Hi-Limit Sensor
7	851262	1	Heat Duct
8	152014	13	1/4 - 20 Free Spin Nut
9	350237	1	Rear Electric Box
	350238	1	Rear Electric Box Cover
10	350228	1	Thrust Bearing Box
11	318691	1	Cover Plate for "No Safe Coin Dryers"
12	851514	1	Safe Deltrol Valve Assy "OPL Dryers Only"
			Water Valve Assembly Parts
	143581	1	Spray Nozzle
	136987	1	Water Pressure Switch
	143025	1	.75-11.5 NH x .375 NPT Nylon Hose Adapter
	143182	1	Brass Tee
	165120	1	S.A.F.E. / FSS Water Inlet Valve



# Parts Diagram & List

## Detail # 5

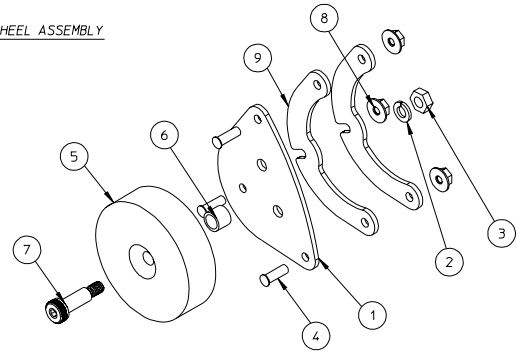
Illus.

No. P/N Qty. Description

### Rear Wheel Assembly

1	350196	1	Wheel Bracket
2	153002	1	5/16" Lock Washer
3	154013	1	M8 Hex Nut
4	153557	3	1/4-20 x 3/5" Clinch Stud
5	180060	1	3.5" Wheel
6	154284	1	Tumbler Wheel Spacer
7	154267	1	M10 x 25mm Shoulder Screw
8	152014	3	1/4-20 Free Spin Washnut
9	350198	2	Rear Wheel Bracket Shim

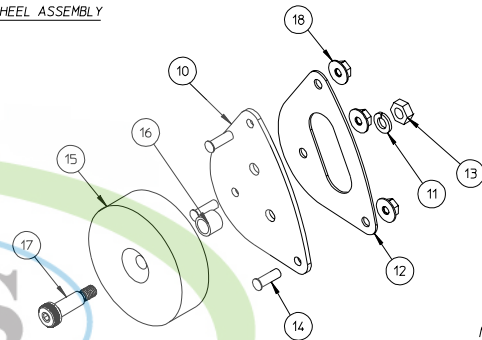
REAR WHEEL ASSEMBLY



### Front Wheel Assembly

10	350196	1	Wheel Bracket
11	153002	1	5/16" Lock Washer
12	350197	1	Wheel Bracket Shim
13	154013	1	M8 Hex Nut
14	153557	3	1/4-20 x 3/4" Clinch Stud
15	180060	1	3.5" Wheel
16	154284	1	Tumbler Wheel Spacer
17	154267	1	M10 x 25mm Shoulder Screw
18	152014	3	1/4-20 Free Spin Washnut

FRONT WHEEL ASSEMBLY



MAN7438

## Detail # 6

Illus.

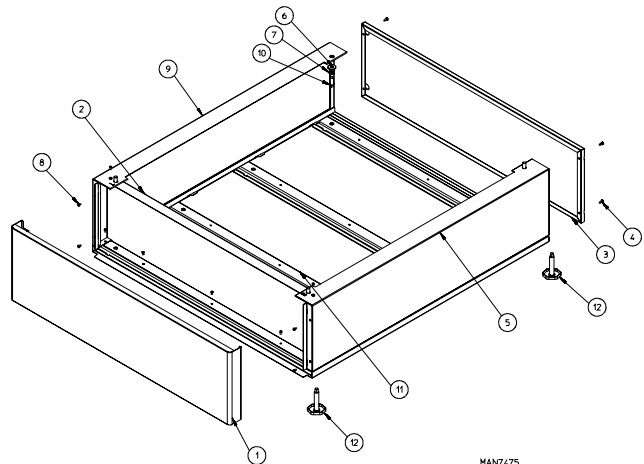
No. P/N Qty. Description

### Pedestal Assembly

--	851409*	2	MDG-51 11" Stackable Pedestal Assy (includes illus no's 1 thru 11)
--	851411*	2	MDG-77 11" Stackable Pedestal Assy (includes illus no's 1 thru 11)

Bottom pedestal shown. Duplicate parts for top assembly.

1	319582*	1	MDG-51 & MDG-77 11" Pedestal Front
2	318584*	1	MDG-51 & MDG-77 11" Pedestal Front
3	350181*	1	MDG-51 & MDG-77 Stand Back
4	153331	4	8-18 x .5" Pan Head Torx Screw
5	319581*	1	MDG-51 Stand Right Side
	318587*	1	MDG-77 Stand Right Side
6	153004	4	3/8" x 1/0" O.D. Flat Washer
7	153005	4	3/8" Split Lock Washer
8	154200	13	5/32" Pop Rivet
9	319580*	1	MDG-51 Stand Left Side
	319586*	1	MDG-77 Stand Left Side
10	150617	4	3/8"-16 x 1" Hex Head Machine Bolt
11	851408*	1	MDG-51 Pedestal Base
	851410"	1	MDG-77 Pedestal Base
12	103500	4	Leveling Leg (Lower Pedestal Only)



MAN7475

\* Specify color when ordering.

