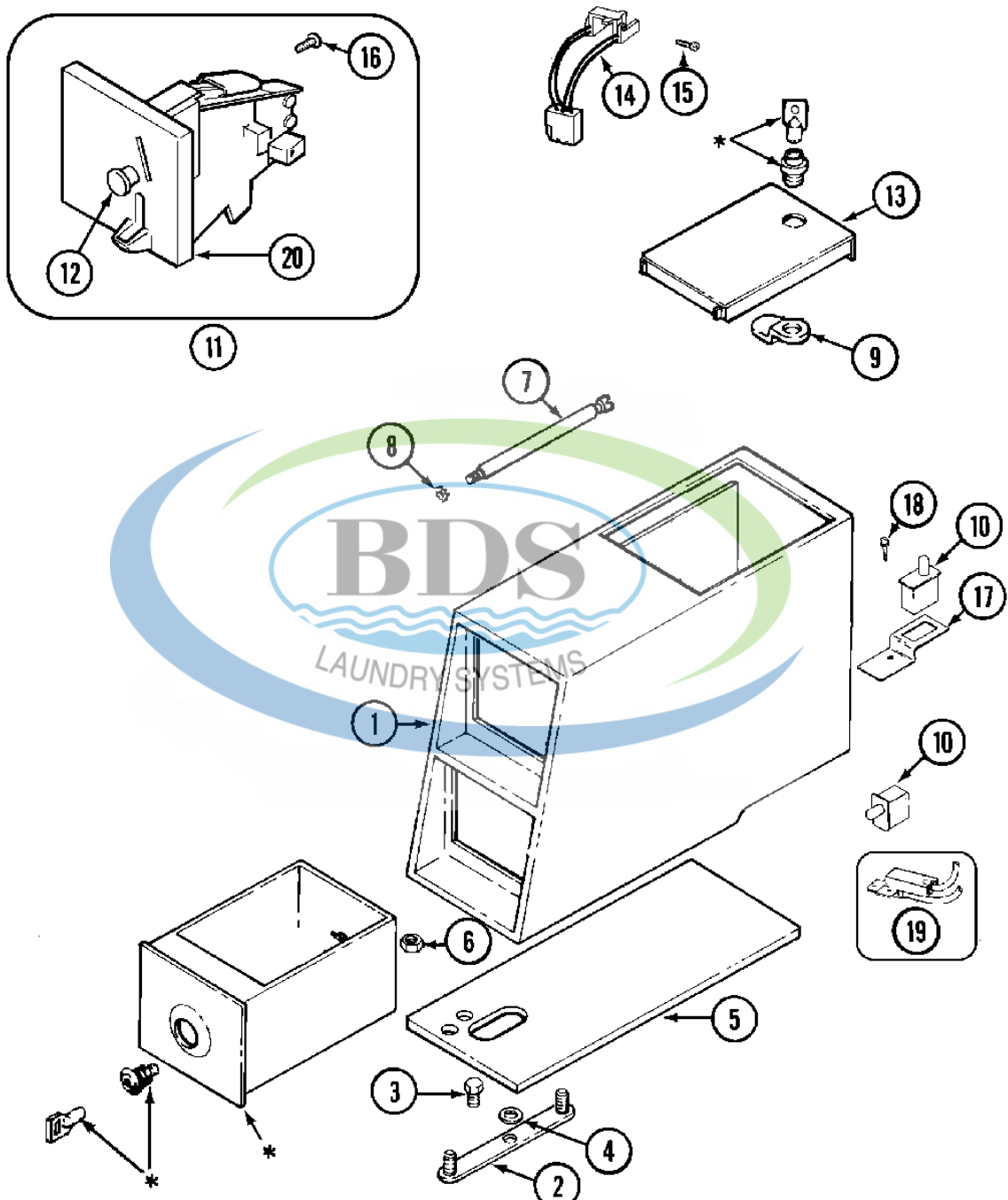


Ref #	Part Number	Qty.	Description
1	22004305	1	FACIA, PD/PS (CONTROL PANEL)
2	215506	4	SCREW, CONTROL PANEL
3	22001959	1	WIRE, GROUND
4	206808	1	CONTROL SWITCH ASSEMBLY
4	215526	2	SCREW, SWITCH
5	215517	2	PUSHBUTTON, CONTROL SWITCH
6	22003098	-	BRACKET, BACK (BSQ)
6	22003099	1	BRACKET, BACK (WHT)
7	22001308	1	SWITCH, WATER LEVEL
8	22001619	1	TUBE, WATER LEVEL SWITCH
9	410296	1	CLAMP, WATER LEVEL TUBE
10	22003091	1	CONSOLE (WHT)
10	22003092	-	CONSOLE (BSQ)
11	212276	2	SCREW, CONSOLE
12	215003	2	CLIP, SCREW
13	206421	1	RELAY, MOTOR REVERSING
13	22004151	1	RELAY, SPST
14	211294	1	SCREW
14	22001960	1	TRANSFORMER
14	Y313559	1	SCREW
15	22002954	2	DEFLECTOR, WATER (W/ADHESIVE)
15	22004222	1	COMMERCIAL D.C. CONTROL BOARD
15	33001204	4	STANDOFF, CIRCUIT BOARD
15	912077	4	LOCKNUT
15	NLA	1	KIT, BATTERY & SUPPORT
16	211294	2	SCREW, WATER LEVEL SWITCH
17	22002986	1	WIRE HARNESS, MAIN
17	22004387	1	HARNESS, MAIN
18	214610	1	BUMPER, LID
19	22001962	1	COVER, DISPLAY
20	210186	1	SCREW, GROUND WIRE
21	215527	2	SCREW, CONTROL BOARD
22	22001965	1	SWITCH ASSY., OPTIC
23	22001966	1	HARNESS, SENSOR SWITCH

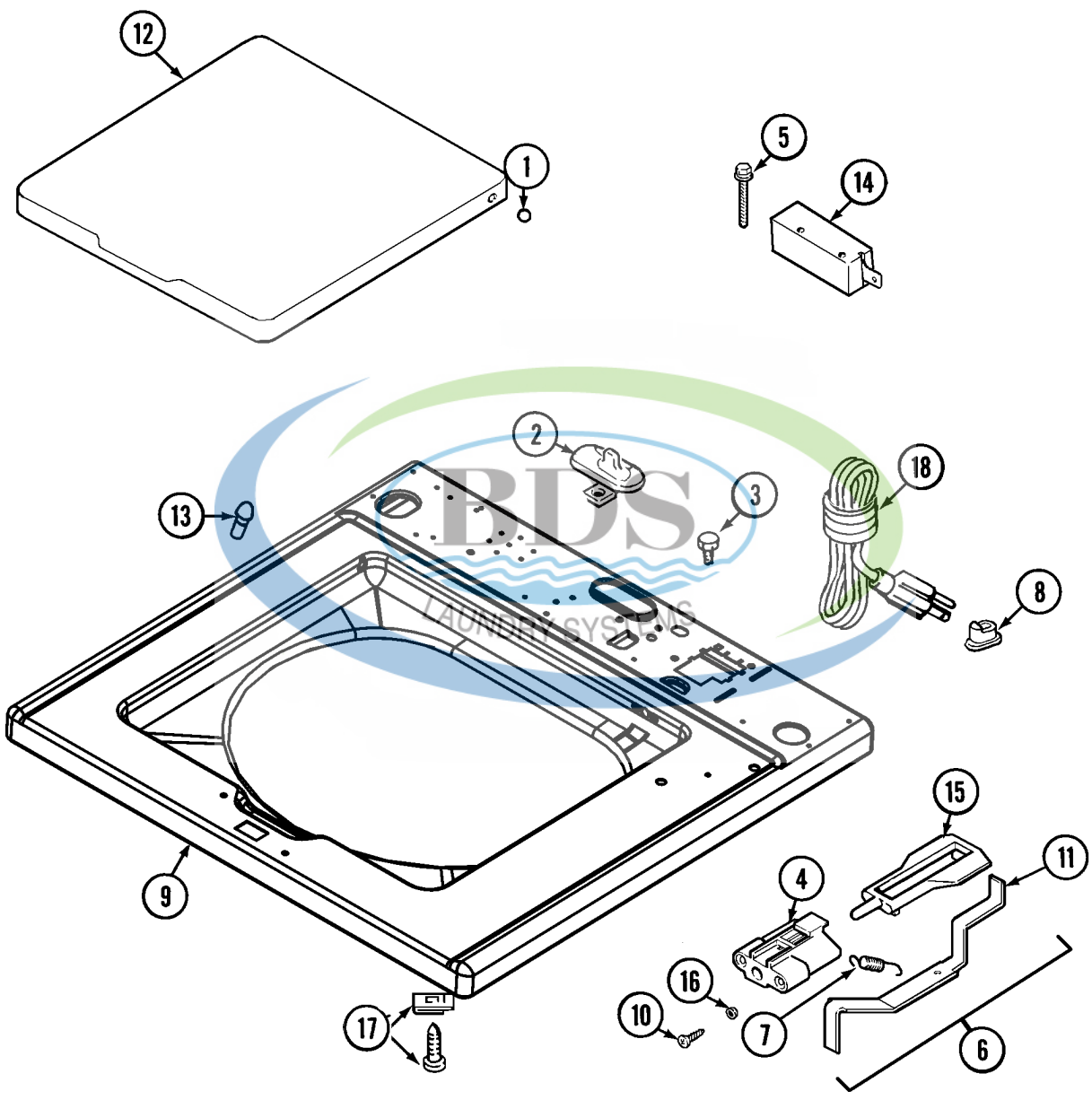




\* CONTACT YOUR COMMERCIAL LAUNDRY DISTRIBUTOR

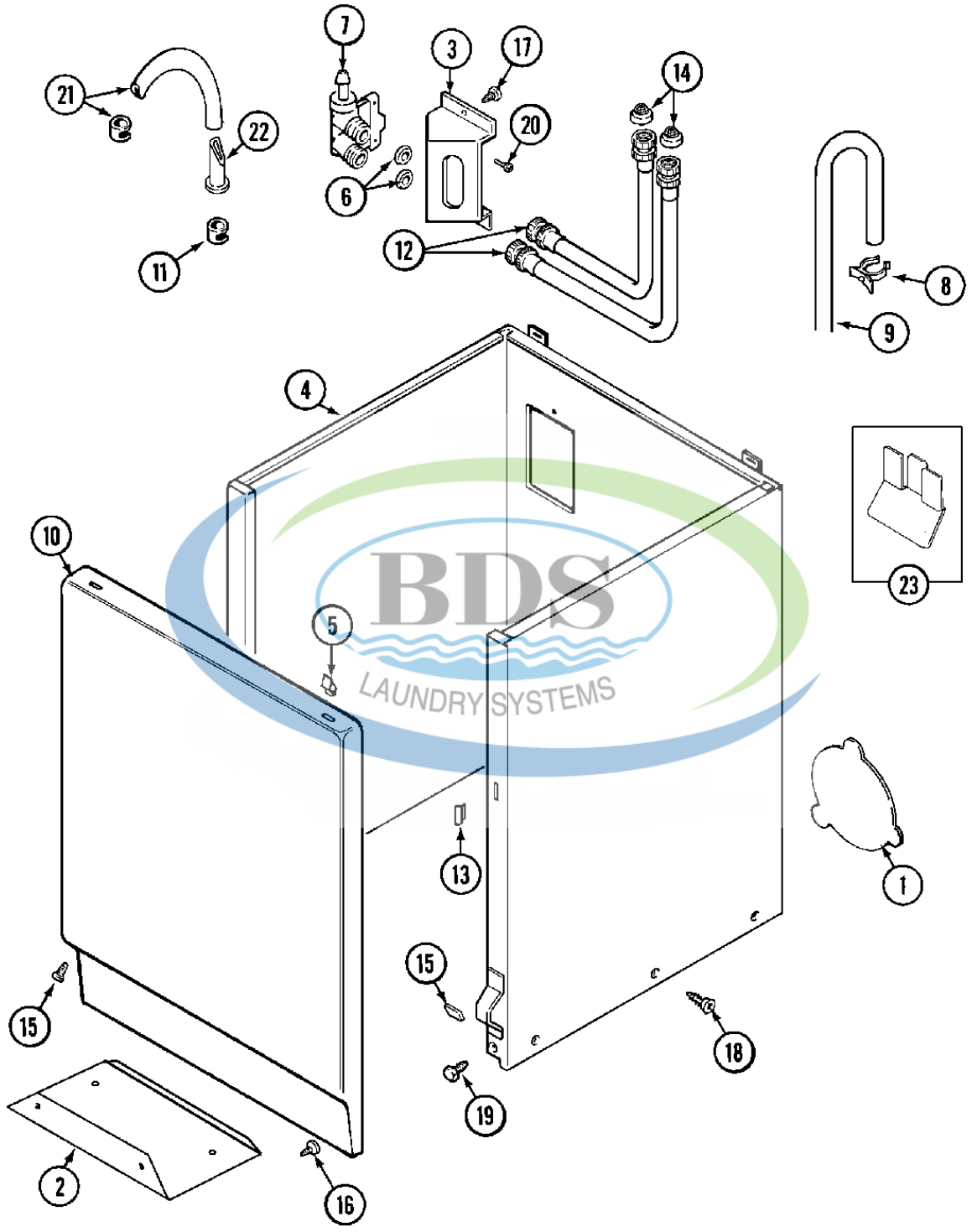
Ref #	Part Number	Qty.	Description
1	22002480	1	VAULT, COIN (WHT)PD
1	33002428	-	VAULT, COIN (BSQ)
2	22001810	1	STRAP, MOUNTING
3	211294	1	SCREW, MOUNTING STRAP
4	910309	1	WASHER, STRAP SCREW
5	22001870	1	GASKET, COIN VAULT (WHT)
5	22002599	-	GASKET, COIN VAULT (BSQ)
6	Y052740	2	NUT, CASE MOUNTING
7	213035	2	BOLT, LOCKING
8	910181	2	LOCKWASHER, LOCKING BOLT
9	NLA	1	CAM, LOCKING
10	33001250	2	SWITCH, SENSOR
10	912012	2	SCREW, SENSOR SWITCH
11	22004111	1	COIN DROP ASSY GREENWALD US.25
11	22004112	1	COIN DROP GREENWALD US.25
11	22004113	-	DUAL COIN DROP ASSY-CANADA
11	22004114	-	COIN DROP GREENWALD (CAN).25
11	33002646	-	COIN DROP-CANADA (1.00)
12	216200	1	BUTTON, RETURN
13	22003679	1	TIMER ACCESS DOOR ASSY (WHITE)
13	22003692	-	TIMER ACCESS DOOR ASSY(BISQUE)
14	22001965	1	SWITCH ASSY., OPTIC
15	314665	1	SCREW, OPTIC SWITCH
16	216068	3	SCREW, COIN DROP
17	22001404	1	BRACKET, SWITCH
18	212276	1	SCREW, SWITCH BRACKET
19	22001966	1	HARNESS, SENSOR SWITCH
20	33002644	-	DUAL FACEPLATE ASSEMBLY
20	33002647	1	SINGLE FACEPLATE ASSEMBLY





Ref #	Part Number	Qty.	Description
1	211726	2	HINGE, BALL
2	207159	1	SCREW, CAP
2	22001298	1	CAP, TOP COVER
3	210186	1	SCREW, GROUND WIRE
4	22002135	1	BRACKET, UNBALANCE
5	213501	2	SCREW, LID SWITCH
6	22001969	1	UNBALANCE LEVER ASSEMBLY
7	213720	1	SPRING
8	211881	1	GROMMET, CORD
9	22001970	1	COVER ASSY., TOP (WHT)
9	22002888	-	COVER, TOP (BSQ)
10	910182	2	SCREW, PLUNGER BRACKET
11	22001672	1	LEVER, UNBALANCE
12	22001341	1	LID W/LEGEND (WHT)
12	22002656	-	LID, WITH LEGEND (BSQ)
13	212716	2	BUMPER, LID
14	22004243	1	SWITCH, LID
15	216255	1	PLUNGER, LID SWITCH
16	211500	2	WASHER, BRACKET
17	204445	2	SCREW & FASTENER ASSEMBLY
18	22003027	1	CORD, POWER (AS WRAP)

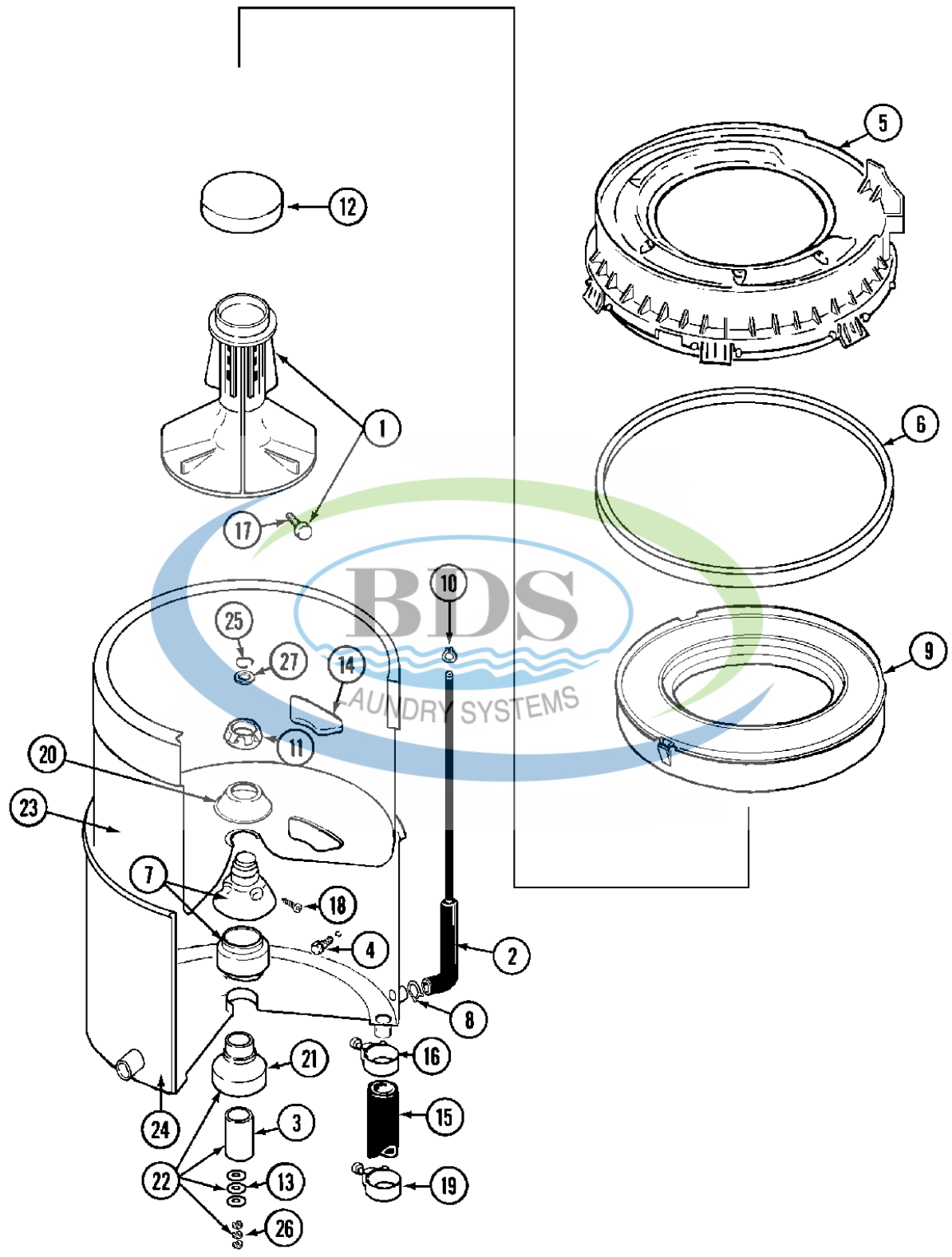




Ref #	Part Number	Qty.	Description
1	211294	3	SCREW, PLATE
1	22002924	2	PLATE, COVER (W/HOLE)
1	NLA	1	PLATE, ACCESS
2	213846	1	GUARD, BELT
3	22002361	1	BRACKET, VALVE
3	22003217	1	SCREW, BRACKET TO CABINET
4	22001972	1	CLIP, CABINET
4	22001995	4	SCREW, V-BRACKET
4	22002381	2	V-BRACKET
4	22002382	4	FASTENER, V-BRACKET
4	22002657	-	CABINET ASSEMBLY (BSQ)
4	22004424	-	CABINET BSQ ASPACK
4	NLA	1	CABINET (WHT)
5	22001650	2	FASTENER, SPRING
6	Y013783	2	WASHER, INLET HOSE
7	205161	1	CLAMP, WATER VALVE
7	22001604	1	VALVE, WATER 120V 60HZ
7	22002960	2	STRAINER, WASHER INLET
8	22002765	2	CLIP, HOSE
9	22002700	1	HOSE, DRAIN
9	22003814	1	RETAINER, DRAIN HOSE
10	22001803	1	PANEL, FRONT (WHT)
10	22002653	-	PANEL, FRONT (BSQ)
11	205161	1	CLAMP, HOSE
12	22003597	1	INLET HOSE ASSY. (HOT)
12	22003598	1	INLET HOSE ASSY. (COLD)
13	214376	2	SPACER, FRONT PANEL
14	22002960	2	STRAINER, WASHER INLET
15	213325	2	CLIP, RETAINER
15	22001496	2	SCREW, FRONT PANEL
16	211294	3	SCREW, BELT GUARD
17	212276	1	SCREW, VALVE BRACKET
18	213007	6	SCREW, CABINET SIDES
19	213121	3	SCREW, CABINET
19	213122	2	SCREW, CABINET
20	Y313561	2	SCREW, WATER VALVE
21	22001954	1	INJECTOR HOSE AND CLAMP KIT
22	22001900	1	PREVENTER, BACK FLOW

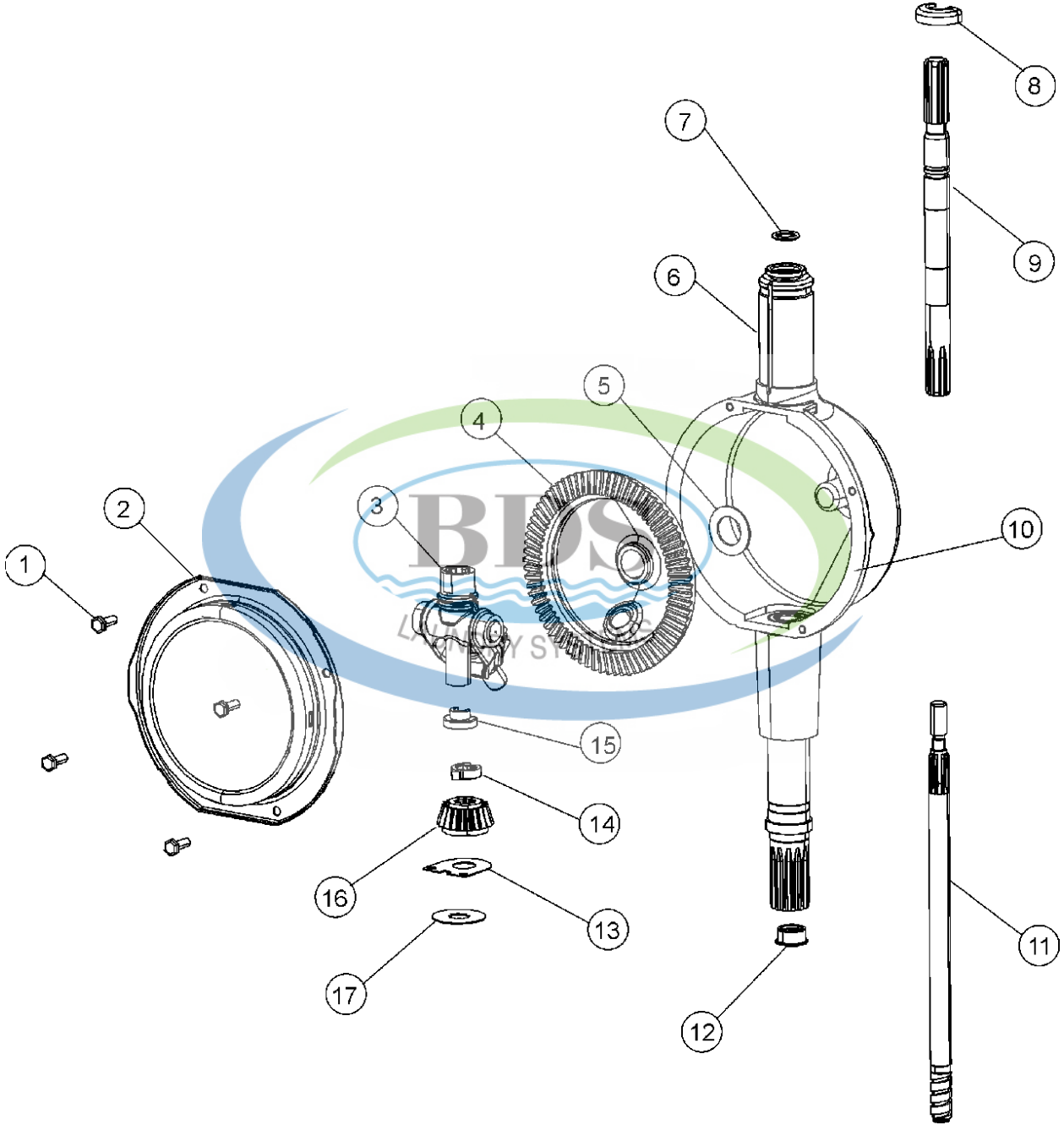






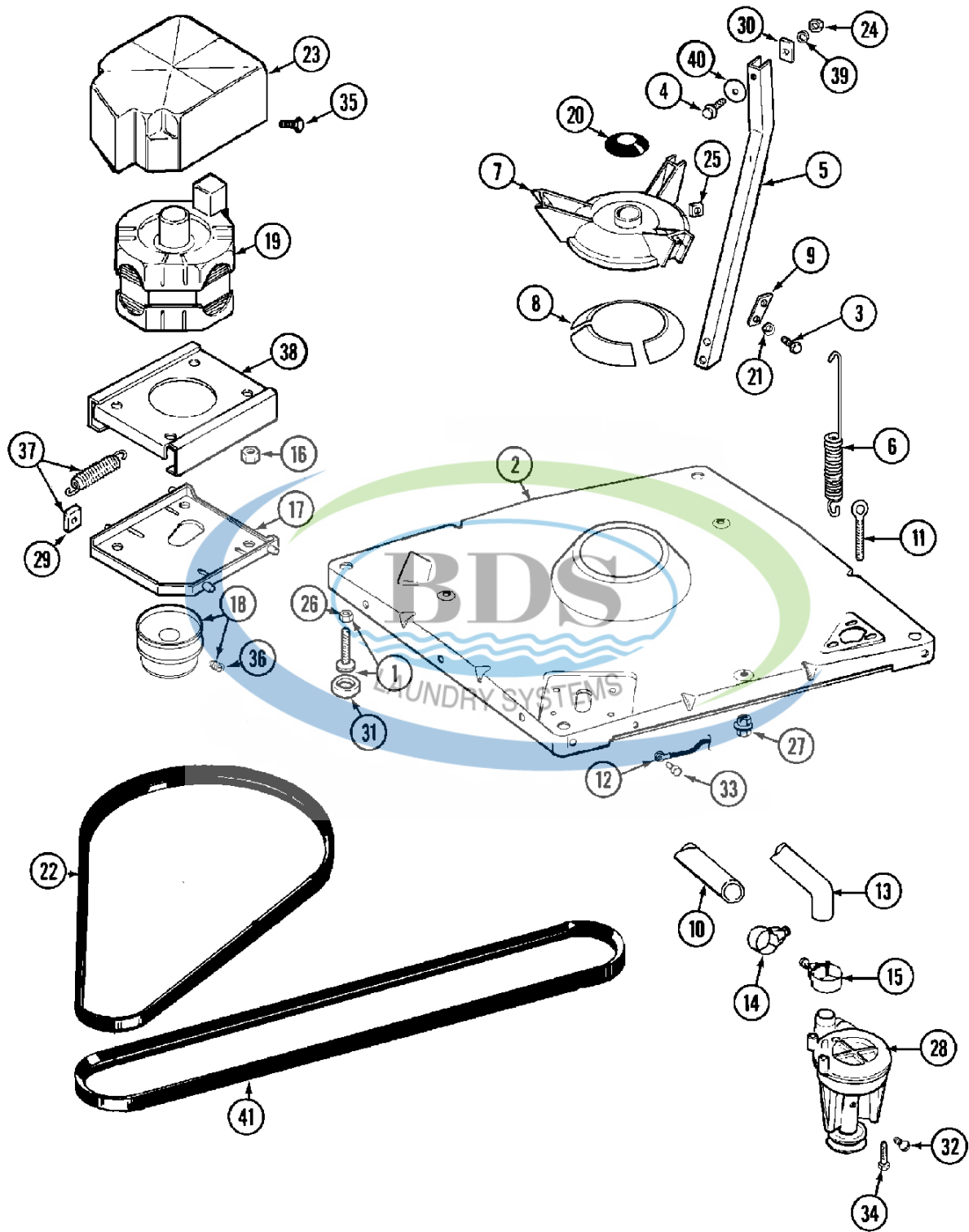
Ref #	Part Number	Qty.	Description
1	208543	1	AGITATOR (W/LOCK SCREW)
2	22001619	1	TUBE, AIR
3	211130	1	LINER, TUB BEARING
4	200744	1	BOLT & GASKET ASSY.(SHORT)
4	205254	2	BOLT & GASKET ASSEMBLY (LONG)
5	22001606	1	COVER ASSY., TUB
6	Y22001201	1	GASKET, TUB COVER
7	22001648	1	MOUNTING STEM AND SEAL KIT
8	22001639	1	CLAMP
9	22001142	1	RING, BALANCE (W/CONCRETE)
10	410296	1	CLAMP, WATER LEVEL SWITCH TUBE
11	211047	1	NUT, CLAMPING (INNER TUB)
12	215532	1	CAP, AGITATOR
13	211100	3	WASHER, CUSHION
14	215980	2	PLUG, TUB
15	Y212989	1	HOSE, OUTER TUB
16	22001640	1	CLAMP, HOSE
17	206478	1	SCREW & WASHER ASSEMBLY
18	22001423	1	SET SCREW, MOUNTING STEM
19	22001640	1	CLAMP, TUB HOSE
20	211210	1	WASHER, CLAMPING NUT
21	200824	1	BEARING, TUB
22	204013	1	TUB BEARING REPAIR KIT
23	22001140	1	TUB, INNER (LARGE-WHT)
24	22003312	1	TUB, OUTER (AS PACKED)
25	Y015667	1	RETAINING RING
26	Y054867	3	WASHER, LOCK
27	Y015666	1	WASHER, RETAINING





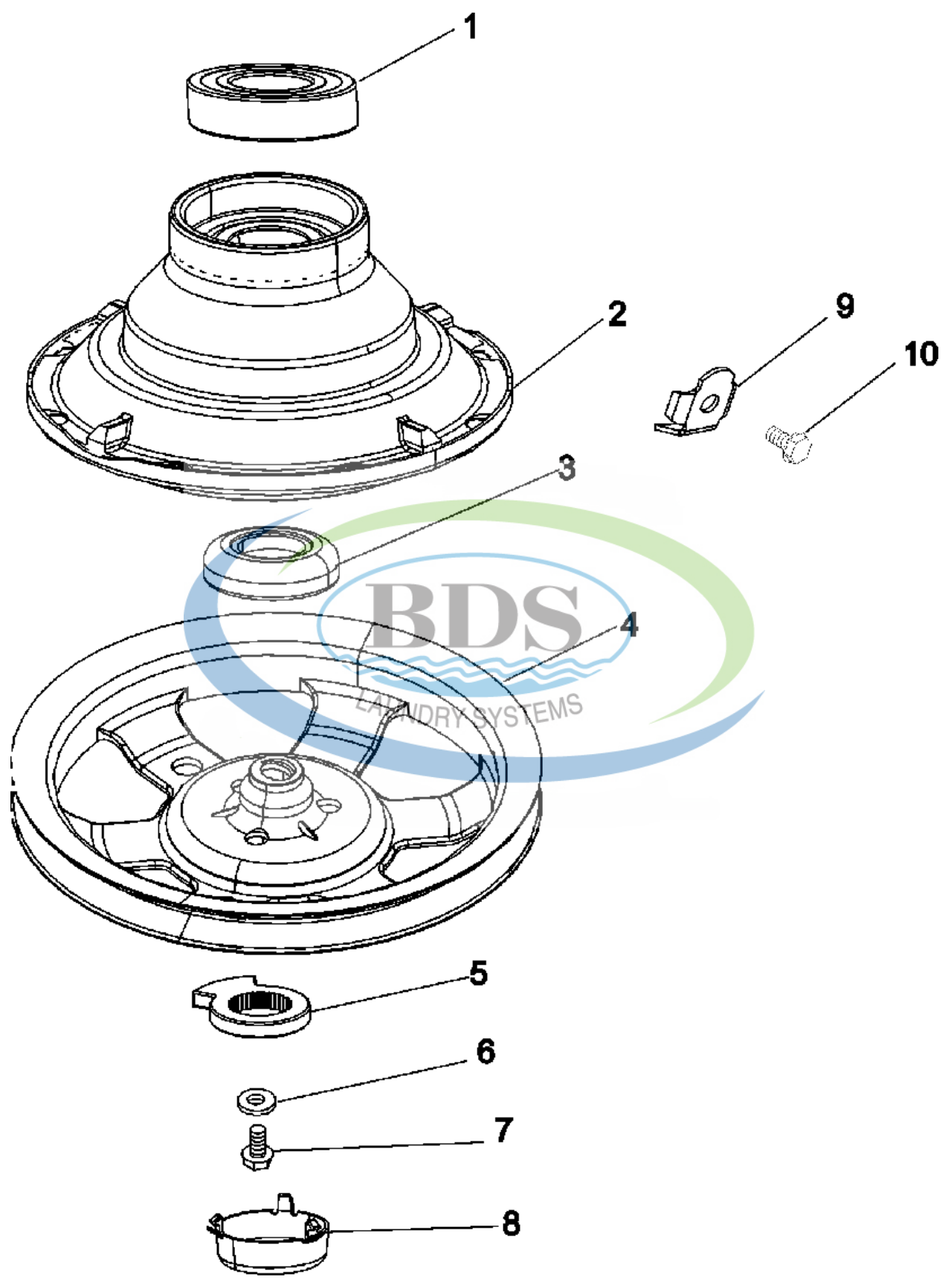
Ref #	Part Number	Qty.	Description
1	215417	4	SCREW, TRANSMISSION COVER
2	206628	1	COVER, TRANSMISSION
3	206685	1	BLOCK, TORQUE AND YOKE ASSEMBL
4	206713	1	GEAR, BEVEL
5	215394	1	WASHER, BEVEL GEAR
6	22002537	1	HOUSING, TRANSMISSION (SHW)
7	22002417	1	O-RING AGITATOR SHAFT
8	22002340	1	COLLAR, AGITATOR SHAFT
9	22002415	1	SHAFT, AGITATOR
10	Y058700	1	SILASTIC, ADH. SEALANT
11	22002343	1	SHAFT, CENTER (SHALLOW TUB)
12	207843	1	LIP SEAL REPAIR KIT
13	215395	1	PLATE, CLUTCH
14	22002353	1	COLLAR, CENTER SHAFT
15	22002341	1	COLLAR, LOWER PLASTIC KEEPER
16	215401	1	PINION
17	211483	1	WASHER, SPLINED
18	22002375	1	TRANSMISSION, ORB(SHALLOW TUB)





Ref #	Part Number	Qty.	Description
1	22003428	4	LEG, ADJUSTABLE (W/NUT)
2	22002150	1	BASE (W/DAMPER PADS)
3	Y015627	6	SCREW, HEX HD CAP 5/16 X 5/8
4	200744	1	BOLT & GASKET ASSY.(SHORT)
4	205254	2	BOLT & GASKET ASSEMBLY (LONG)
5	213100	3	BRACE, TUB
6	22001300	3	SPRING, CENTERING
7	203725	1	DAMPER W/BOLT & CLIP
8	203956	1	DAMPER PAD KIT (W/POLY LUBE)
9	213073	3	WASHER, DOUBLE
10	22001816	1	HOSE, DRAIN
11	216416	3	BOLT, EYE/CENTERING SPRING
12	901220	1	WIRE, GROUND
13	Y212989	1	HOSE, OUTER TUB
14	Y22001820	1	CLAMP, HOSE
15	22001640	1	CLAMP, HOSE
16	Y311426	3	NUT, MOTOR BASE
17	22001301	1	MOUNT, MOTOR LOWER-ASSEMBLY
18	200816	1	PULLEY, MOTOR (W/SET SCREW)
19	201805	1	MOTOR (ONE SPEED)
19	22004301	1	MOTOR, 1 SPEED 120V 60HZ
20	22001511	2	DEFLECTOR, WATER (W/ADHESIVE)
21	911852	1	WASHER, LOCK (BRACE)
22	211125	1	V BELT, DRIVE PULLEY
23	215098	1	SHIELD, MOTOR
24	Y052734	3	NUT, BRACE (TUB)
25	Y052785	6	NUT, BRACE (DAMPER)
26	210385	4	NUT, LOCK
27	211949	3	NUT, EYEBOLT
28	202203	1	PUMP AS PAK
29	Y204998	1	GLIDE KIT (4 W/POLY LUBE)
30	212979	3	WASHER, TUB BRACE
31	210684	4	FOOT, RUBBER
32	Y015408	1	SCREW, BEARING INSERT
33	210186	1	SCREW, GROUND WIRE
34	211880	3	SCREW, PUMP
35	213121	1	SCREW, MOTOR SHIELD
36	Y053241	1	SET SCREW, MOTOR PULLEY
37	205000	1	GLIDE & SPRING KIT
38	214956	1	PLATE, MOTOR MOUNT (UPR)
39	Y054867	3	WASHER, LOCK (BRACE)
40	211100	3	WASHER, CUSHION (BRACE)
41	211124	1	V BELT, PUMP

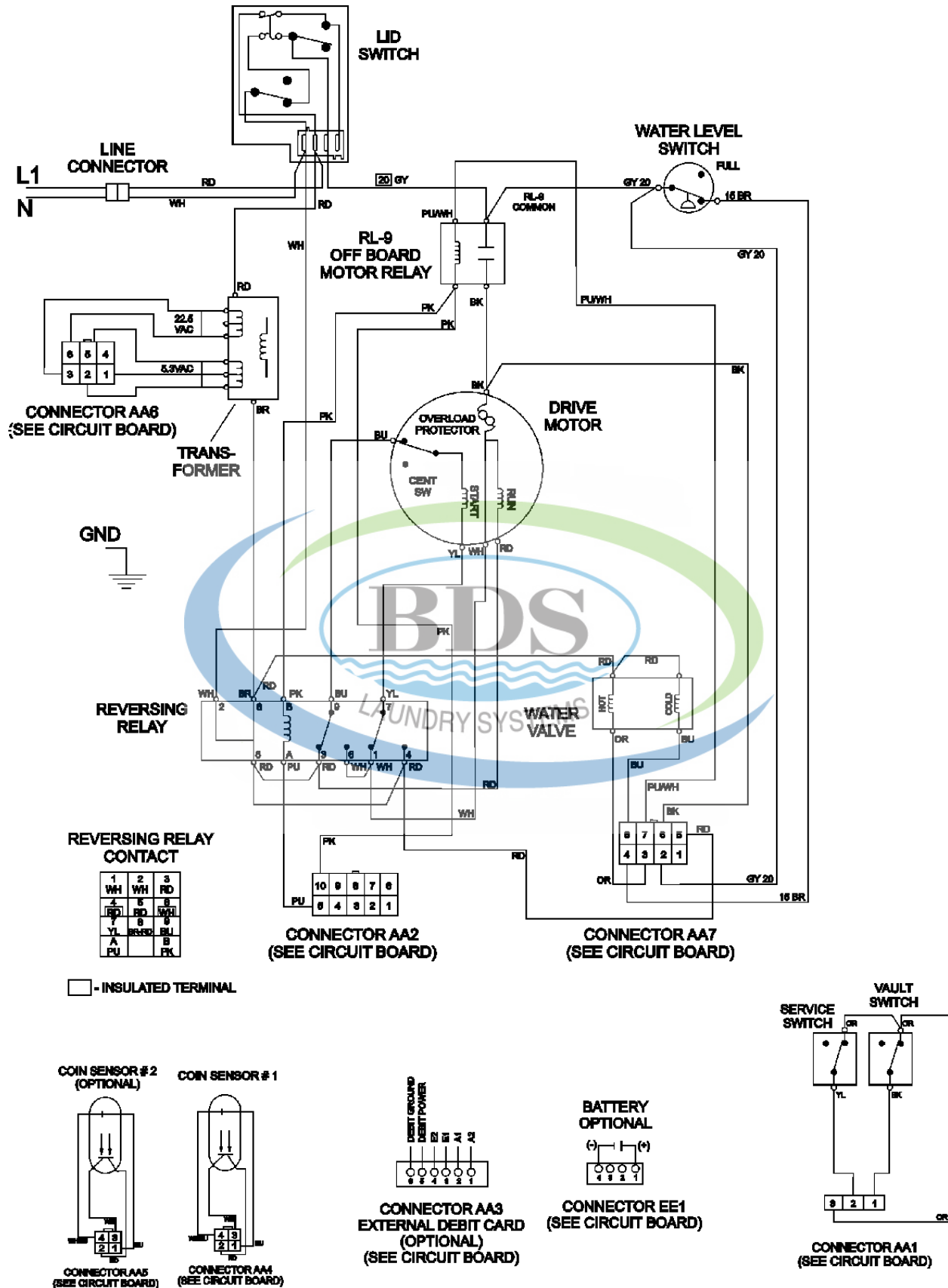




Ref #	Part Number	Qty.	Description
1	Y200720	1	BALL BEARING, RADIAL----S
2	201190	1	BRAKE ASSEMBLY
3	200835	1	BEARING, BRAKE ROTOR
4	22002429	1	PULLEY
5	211089	1	LUG, STOP
6	211090	1	WASHER, LOCK (DRIVE LUG)
7	211375	1	SCREW, DRIVE LUG
8	22002428	1	COVER, DUST (PLASTIC)
9	213325	1	CLIP, RETAINER
10	213326	1	BOLT, RETAINING CLIP

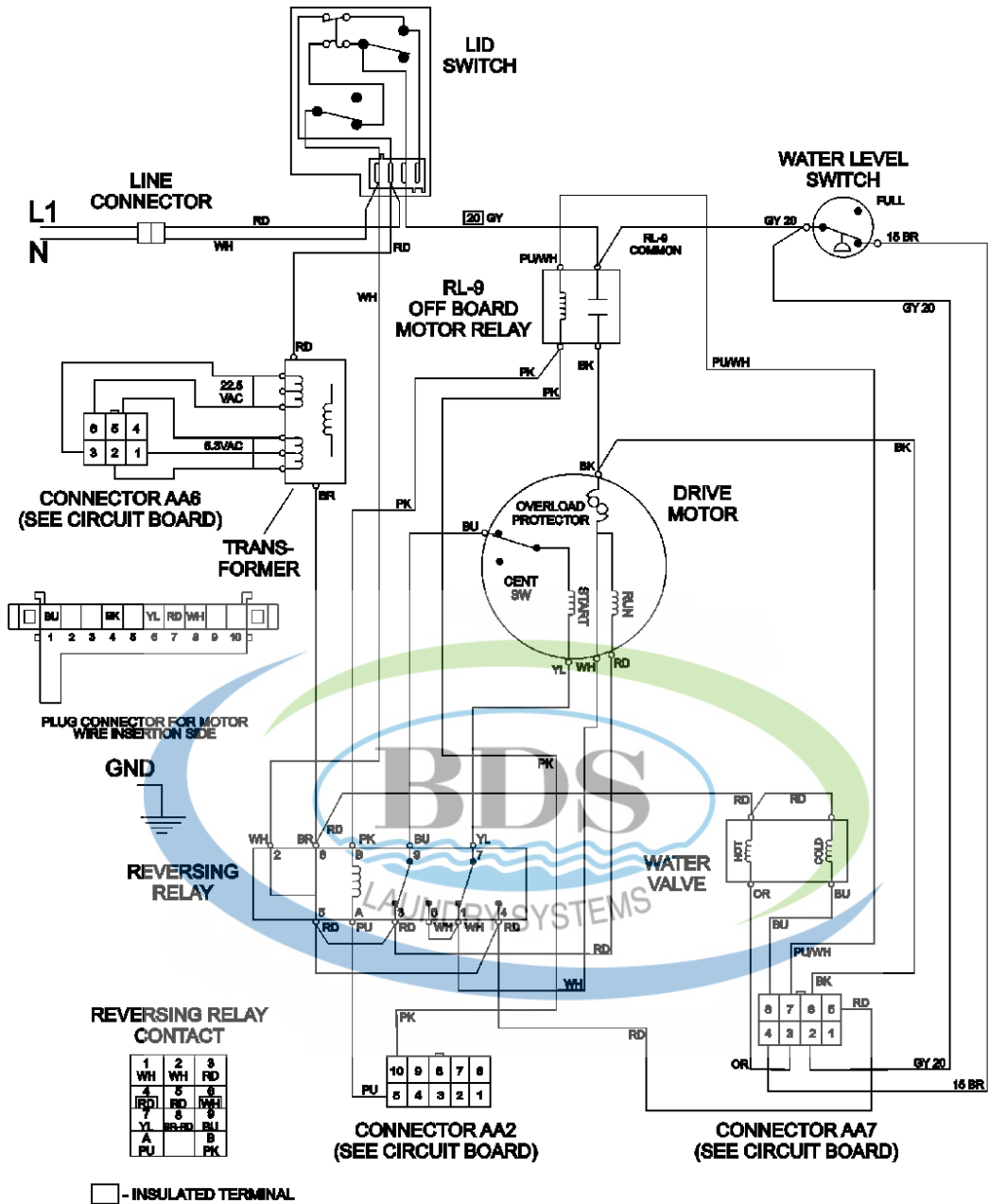




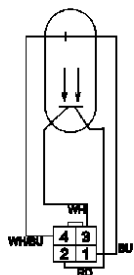


Ref #	Part Number	Qty.	Description
1	NLA	1	WIRING INFORMATION



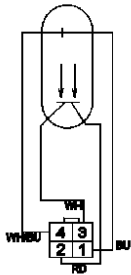


COIN SENSOR # 2 (OPTIONAL)

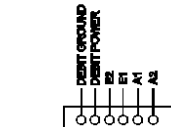


CONNECTOR AA5 (SEE CIRCUIT BOARD)

COIN SENSOR # 1



CONNECTOR AA4 (SEE CIRCUIT BOARD)

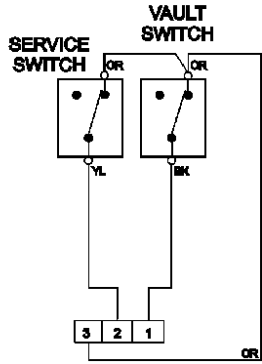


CONNECTOR AA3 EXTERNAL DEBIT CARD (OPTIONAL) (SEE CIRCUIT BOARD)

BATTERY OPTIONAL



CONNECTOR EE1 (SEE CIRCUIT BOARD)



CONNECTOR AA1 (SEE CIRCUIT BOARD)

Ref #	Part Number	Qty.	Description
1	NLA	1	WIRING INFORMATION

