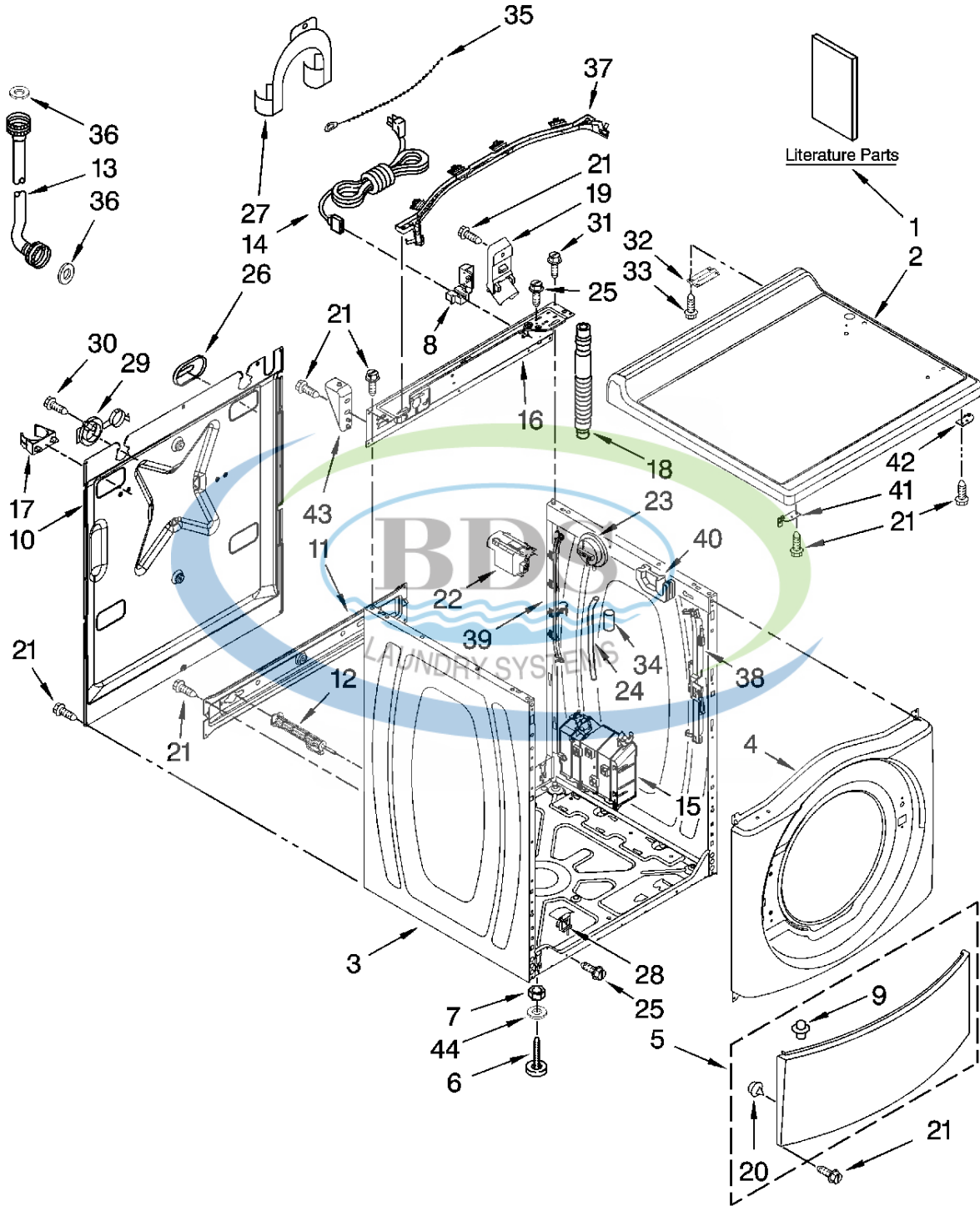


TOP AND CABINET PARTS

For Model: MAH22PDAWW1
(White)



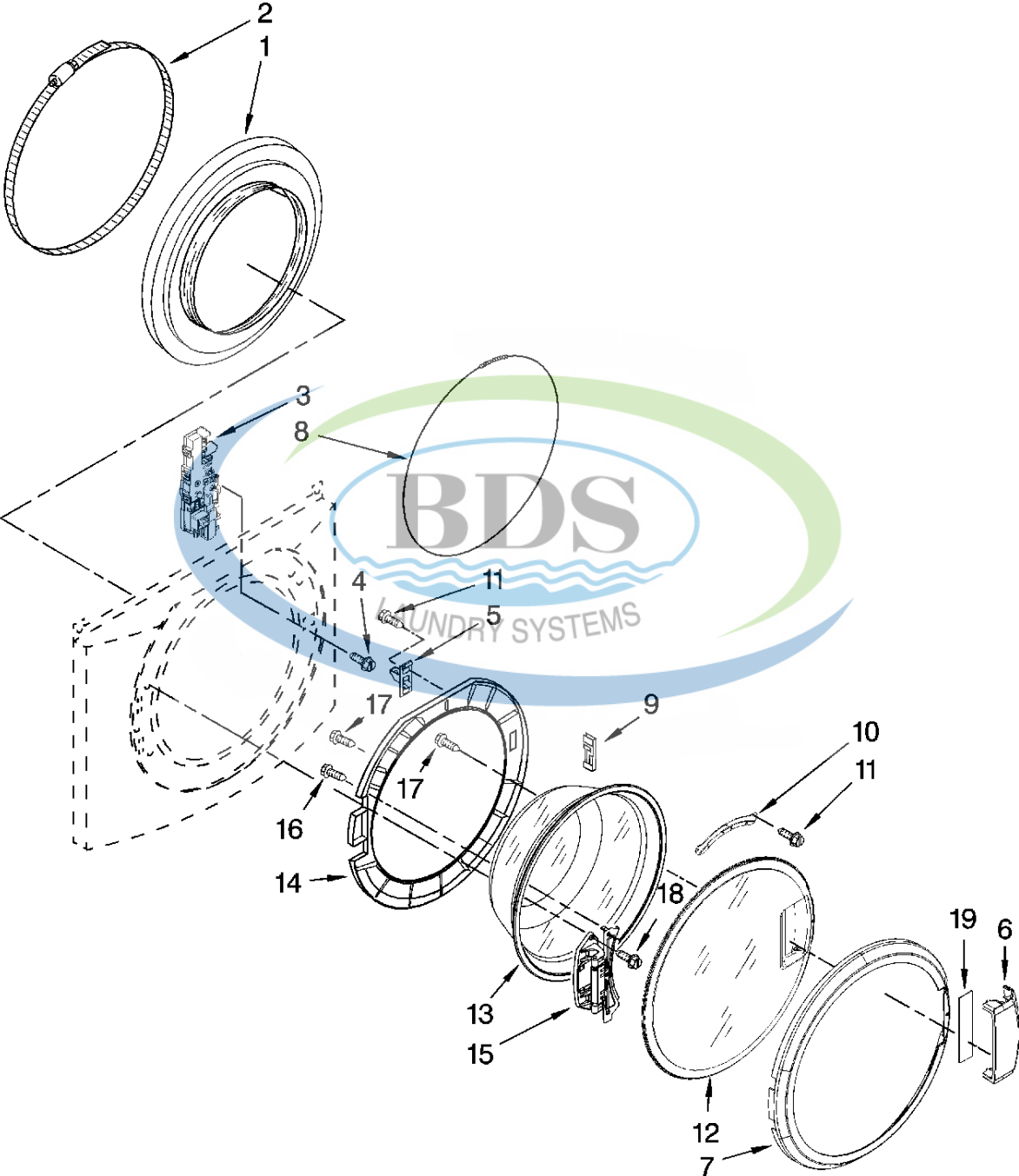
W10244307

Ref #	Part Number	Qty.	Description
1	W10165327		Installation Instructions
1	W10165326		Tech Sheet (English)
1	W10194214		Tech Sheet (French)
1	W10244307		Repair Parts List
2	W10137411		Top
3	W10201831		Cabinet
4	W10112948		Panel, Front
5	8540813		Toe Panel
6	W10121677		Foot, Leveling (4)
7	3359452		Nut, Lock (4)
8	W10110676		Strain Relief, Power Cord
9	8518891		RIVET
10	8540582		Panel, Rear
11	W10189659		Brace, Transport
12	8540199		Bolt, Shipping (4)
13	8571377		Hose, Water Inlet (Blue Coupler)
13	8571378		Hose, Water Inlet (Red Coupler)
14	W10029820		Cord, Power
15	W10197864		Motor Control Unit
16	W10161694		Brace, Rear
17	8540093		Clamp, Tube Transportation
18	W10114608		Hose, Drain
19	8540607		Retainer, Hose Outlet
20	238614		Bumper (2)
21	W10015090		Screw, 8-18 x 5/8
22	8540230		Filter, Interference
23	W10163980		Switch, Pressure
24	8540294		Hose, Pressure Switch
25	8540479		Screw, Grounding
26	8540268		Cover, Transport
27	8540021		U-Bend, Drain Hose
28	W10085220		Microswitch (2)
29	8540728		Sleeve, Cord Support (2)
30	8540727		Screw, 3 x 8 mm
31	8540329		SCREW
32	8565018		Hinge & Pin Assembly
33	342055		Screw, 8-18 x 1/2
34	2161302		Sleeve, Pressure Switch Hose
35	3347868		Cable Tie
36	16123		Washer, Water Inlet Hose (4) (1-1/16 x 5/8)
37	W10168548		Harness Channel, Top Rear
38	W10168546		Harness Channel, Side Front
39	W10168547		Harness Channel, Side Rear
40	8540643		Bracket, Spring
41	W10137445		BRACKET - TOP PANEL, LEFT
42	W10137444		BRACKET - TOP PANEL, RIGHT
43	W10137398		STOP, TOP PANEL
44	487576		Washer, Nylon (4)



DOOR AND LATCH PARTS

For Model: MAH22PDAWW1
(White)



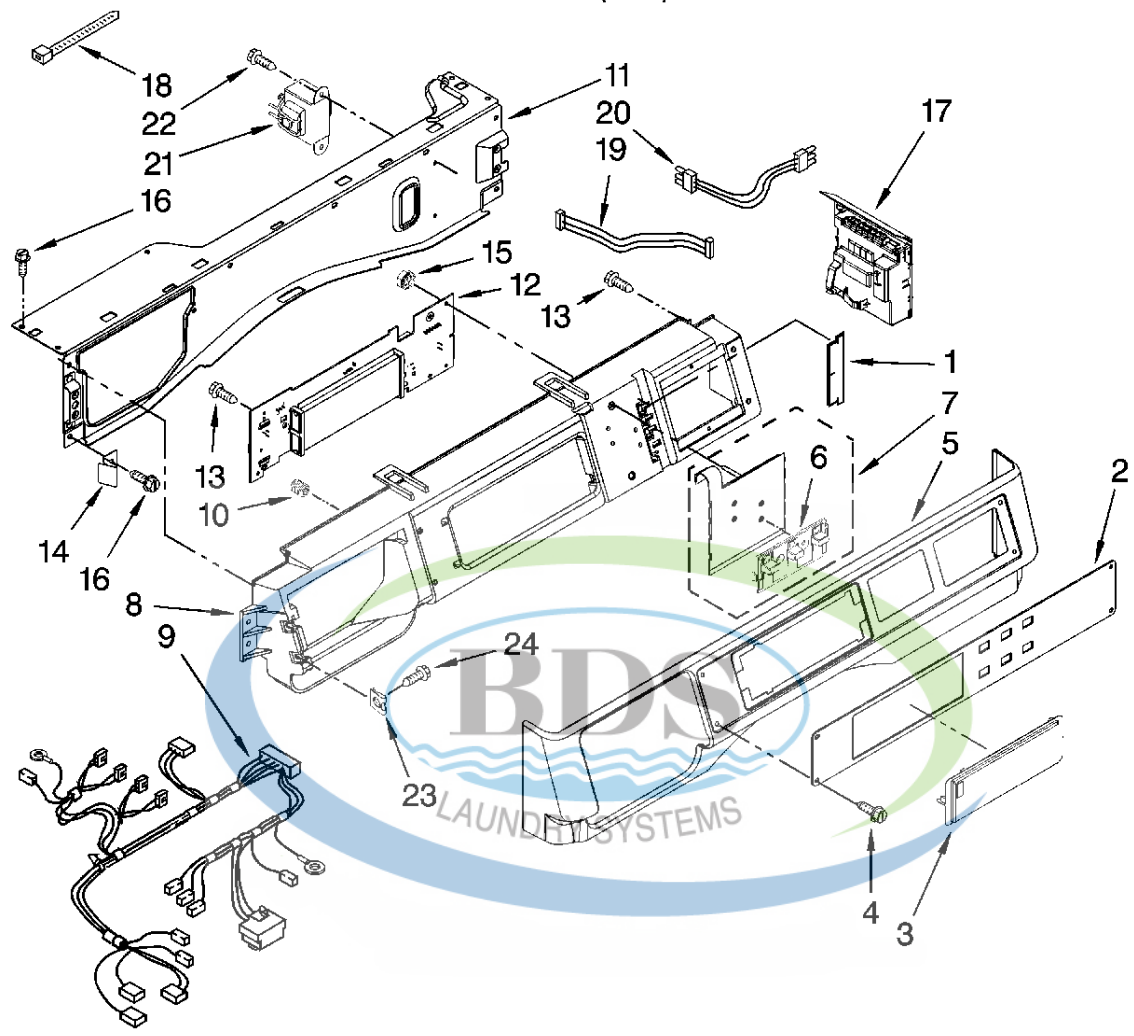
W10244307

Ref #	Part Number	Qty.	Description
1	W10130455		Bellow
2	8540108		Clamp, Bellow
3	W10153867		Lock, Door
4	8540725		SCREW
5	8540221		Hook, Door
6	W10117474		Handle, Door (Includes Item 19)
7	W10112914		Trim Ring, Outer Door
8	8540107		Clamp, Bellow (Front)
9	8540115		Clamp, Support
10	8540114		Clamp, Glass (2)
11	8540513		SCREW
12	W10137404		Frame, Door Front Assembly
13	W10112078		Glass, Door
14	W10138523		Frame, Door Back Support
15	W10118967		Hinge, Door
16	8540284		SCREW
17	8540282		SCREW
18	W10015090		Screw
19	W10112927		Pad, Door Handle



CONTROL PANEL PARTS

For Model: MAH22PDAWW1
(White)

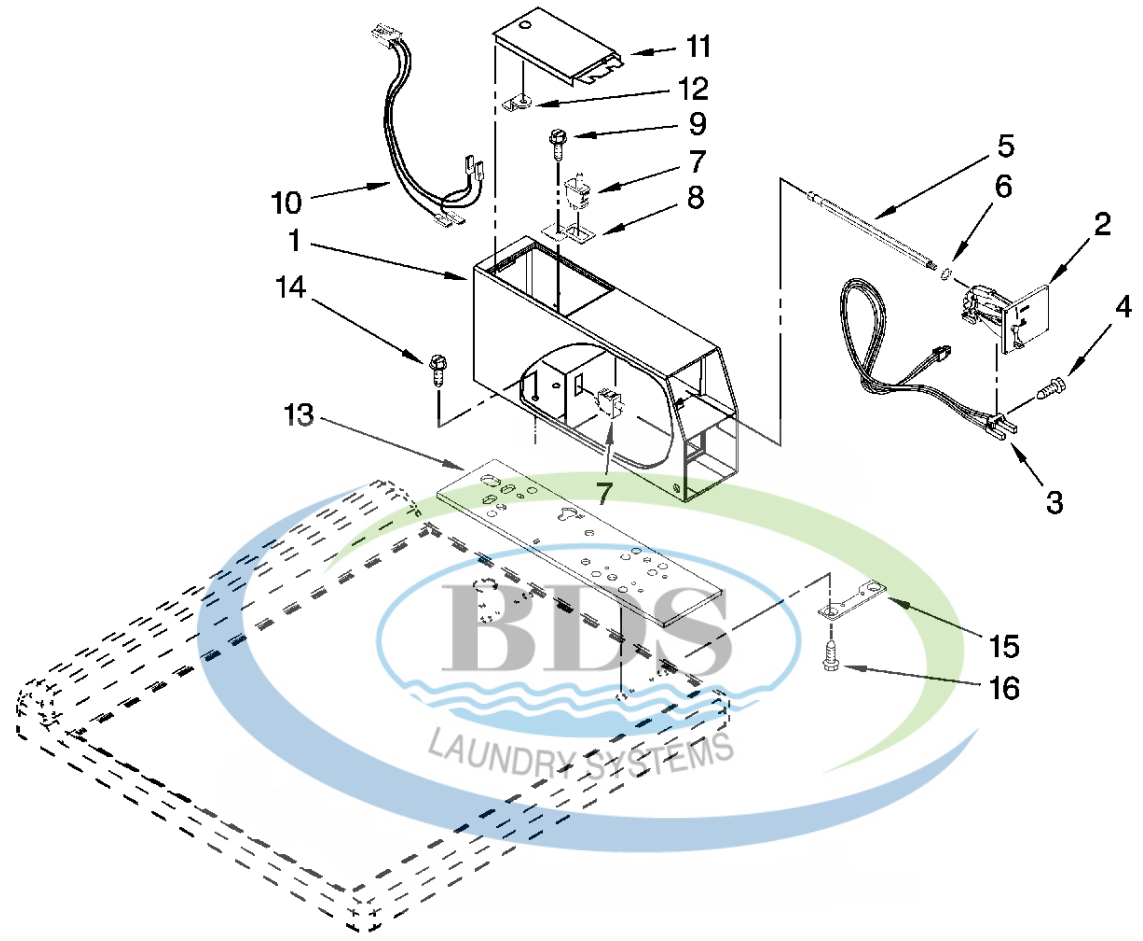


Ref #	Part Number	Qty.	Description
1	W10187276		SEAL, CONSOLE
2	W10137436		Facia / Overlay
3	W10131114		Cover, Display
4	W10137457		Screw, 8-32 X 1/2
5	W10137458		Console, Outer
6	W10131113		Push Button (2)
7	W10135389		Push Button & Switch Assembly
8	W10137426		Console, Inner
9	W10153921		Harness, Wiring (Main)
10	W10189313		Insert
11	W10137396		Bracket, Console
12	W10137414		User Interface
13	489136		Screw, 3-24 X 3/8
14	W10137488		Clip, Console
15	W10139046		Nut 6-32
16	W10015090		Screw, 8-18 x 5/8
17	W10141556		Microcomputer, Machine Control
18	3429563		Cable Tie
19	W10155150		Harness, Test
20	W10155149		Harness, Wiring (Console UIC)
21	W10131839		TRANSFORMER 120 TO 22.5 VAC.
22	8540329		Screw, 8-18 X 7/16
23	9781235		Nut, U-Type (2)
24	W10131119		Screw, 8-18 X 1/2



METER CASE PARTS

For Model: MAH22PDAWW1
(White)

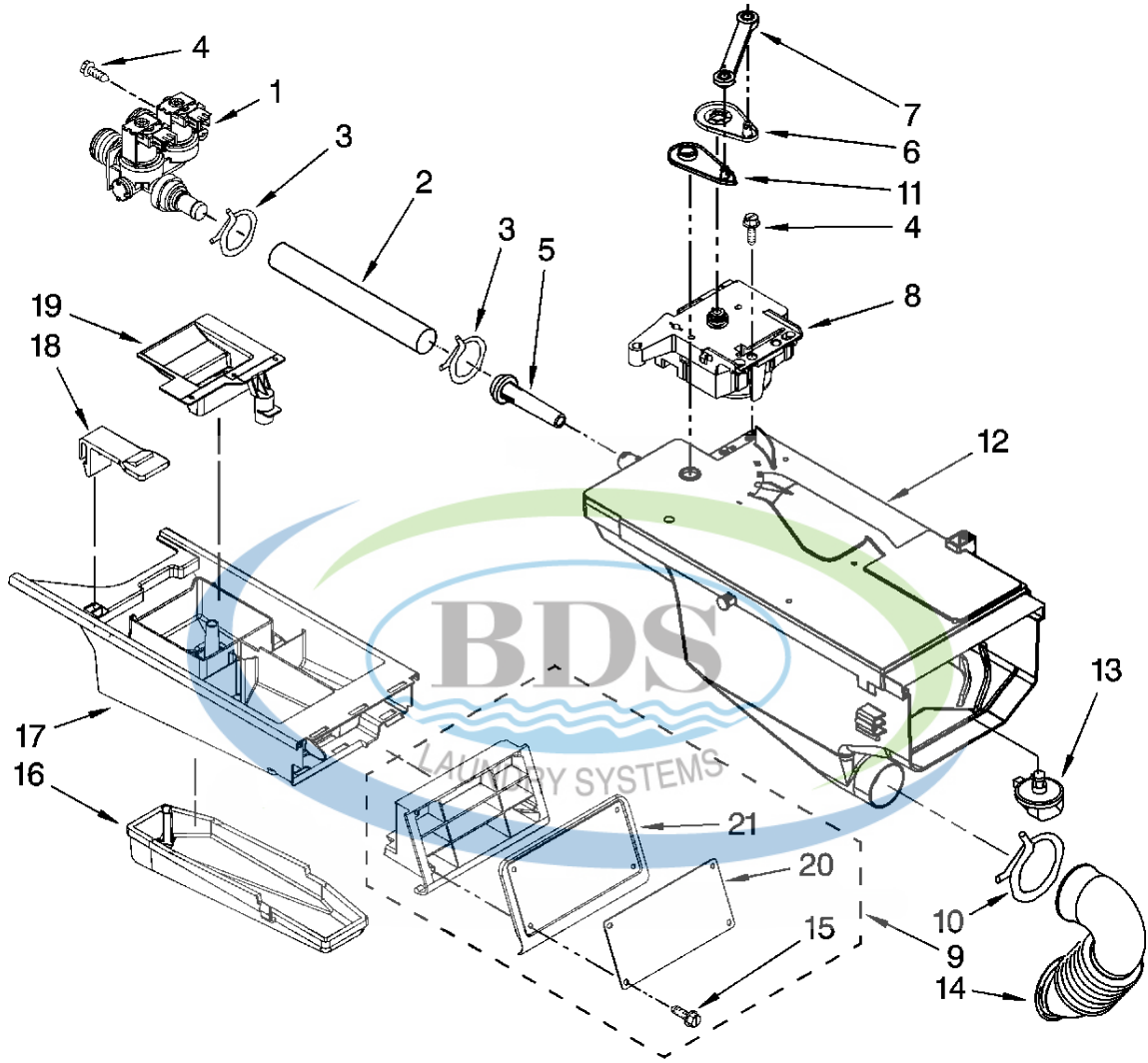


Ref #	Part Number	Qty.	Description
1	W10171128		Meter Case
2	W10133242		Coin Drop Assembly
3	W10130178		Sensor Assembly, Coin Optic
4	W10142655		Screw, 6-20 X 1.00
5	W10137319		Bolt, Hex Bar (2)
6	W10068270		Washer (2)
7	W10131838		SWITCH-VAULT SERVICE DOOR
8	W10133508		Bracket, Service Switch
9	W10139210		Screw, 8-18 X 5/16
10	W10139456		WIRE HARNESS, SENSOR SWITCH
11	3351136		Service Door Assembly
12	W10145154		CAM - LOCK
13	W10137448		Cushion, Meter Case
14	3349065		Screw, 5/16-24 x 1
15	3347825		Plate, Meter Case Mounting (2)
16	98445		Screw, 10-16 x 3/4



DISPENSER PARTS

For Model: MAH22PDAWW1
(White)

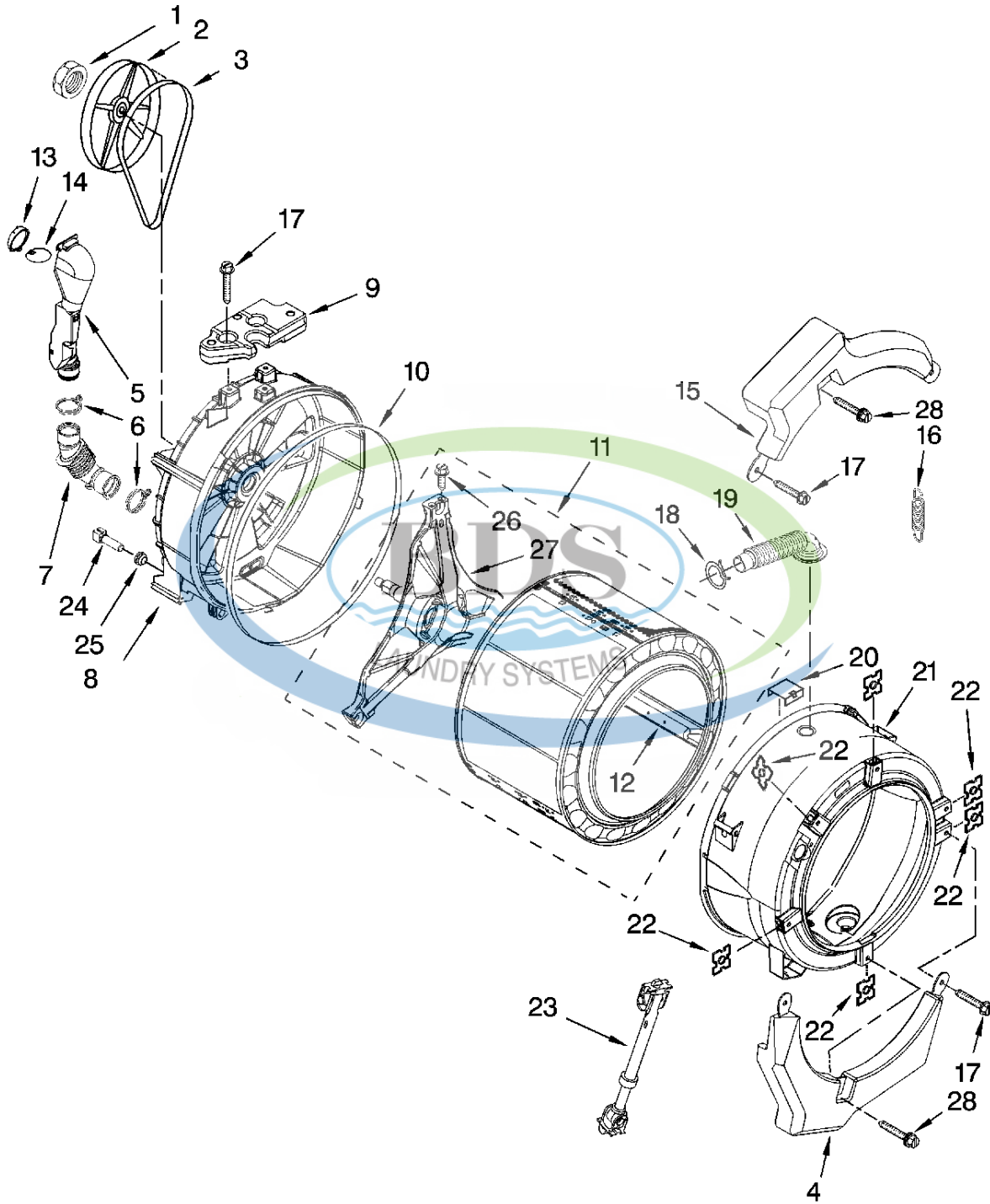


Ref #	Part Number	Qty.	Description
1	8540751		Valve, Inlet
2	8540065		Hose, Valve To Dispenser
3	370450		Clamp, Hose
4	8540282		SCREW
5	8540042		Nozzle, Inlet
6	8540393		Cam, Actuator
7	8540394		Lever, Water Distribution
8	W10143587		Actuator
9	W10137428		Handle Assembly, Drawer
10	8281276		Clamp, Hose
11	8540395		Connection, Lever
12	8540058		DISPENSER
13	8540053		Nozzle, Distribution
14	8540063		Hose, Dispenser To Tub
15	W10137456		Screw, 8-18 X 1/2
16	8540399		Cover, Detergent Drawer
17	8540402		Drawer, Detergent
18	W10137402		Hook, Drawer
19	8540429		Siphon, Bleach/Softener
20	W10137430		FACIA/OVERLAY, DRAWER
21	W10137460		Cover, Handle



TUB AND BASKET PARTS

For Model: MAH22PDAWW1
(White)

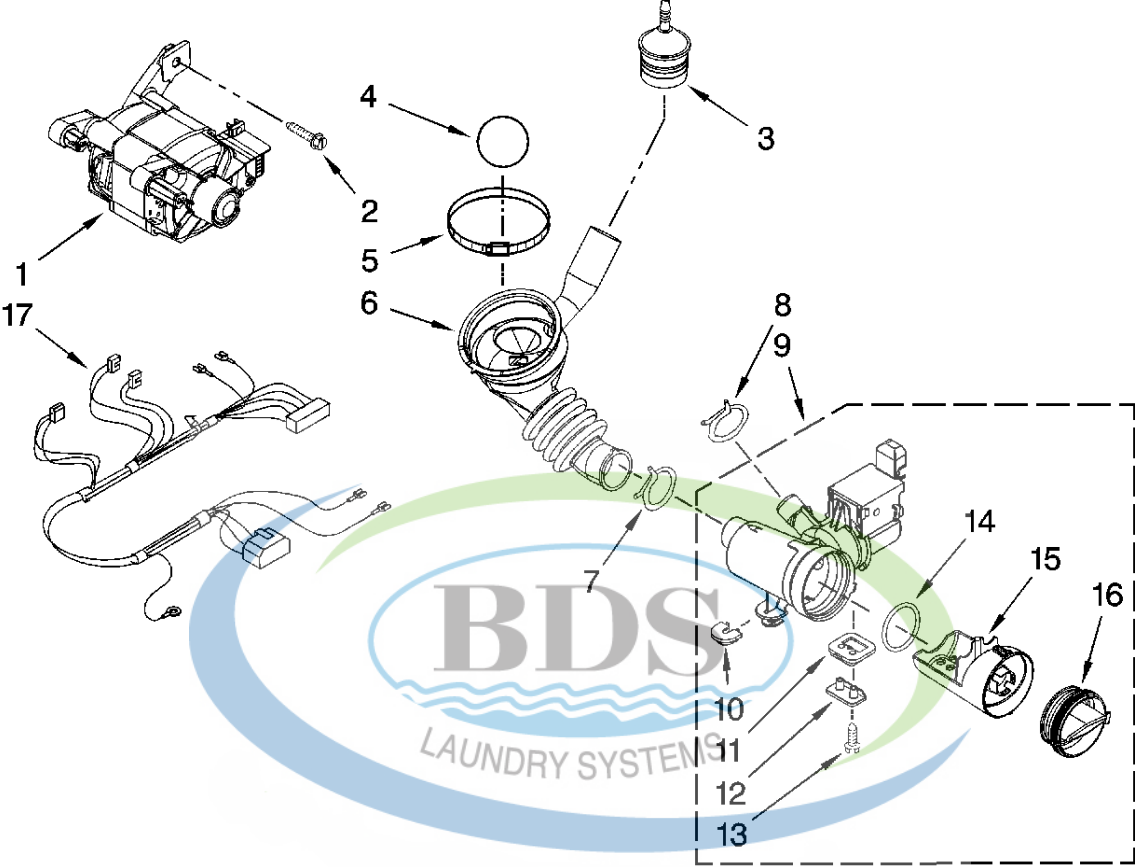


Ref #	Part Number	Qty.	Description
1	8533999		Nut, Pulley
2	8540088C		PULLEY
3	W10116215		Belt, Drive
4	W10151304		Counterweight, Front Lower
5	W10142720		Pipe, Ventilation
6	8540010		Clamp, Vent Hose
7	8540019		Hose, Exhaust
8	W10202942		Tub, Rear (Includes Items 10, 21 & 22)
9	8540602		Counterweight, Rear
10	8540090		Gasket, Tub
11	W10165321		Basket, Complete
12	W10118982		Baffle, Tub
13	W10142721		CONNECTOR - VENTILATION
14	W10142722		FLAP, VENTILATION
15	W10151303		Counterweight, Front Upper
16	W10010360		Spring, Suspension
17	W10094780		Bolt, Counterweight Mtg.
18	3363365		Clamp, Hose
19	8540015		Hose, Exhaust
20	8540092		Clamp, Tub
21	W10112659		Tub, Front (Includes Items 8, 10 & 22)
22	8540072		Nut, Push-In
23	W10163171		Shock Absorber (3)
24	8540226		Negative Thermistor Control
25	8540766		Seal, Rubber
26	8540382		SCREW
27	8540457		Crosspiece Assembly
28	W10174473		Bolt Assembly, Counterweight Center Hole



PUMP AND MOTOR PARTS

For Model: MAH22PDAWW1
(White)



Ref #	Part Number	Qty.	Description
1	W10140579		Motor, Drive
2	8540134		Bolt, Motor
3	8540180		Air Trap
4	8540013		BALL
5	8540008		CLAMP
6	8540012		Hose, Tub to Pump
7	370448		Clamp, Hose
8	356138		Clamp, Drain Hose
9	W10130913		Pump (Complete)
9	8540094		Pump Motor Only (Not Illustrated)
10	W10191886		Foot, Rubber (Slider)
11	W10191880		Foot, Rubber (Lock)
12	W10190649		Cap, Lock Foot
13	W10167905		Screw, 10-16 x 1.00 (2)
14	W10201457		Seal, Filter Cap
15	W10190647		Filter (Includes Items 14 & 16)
16	W10190648		Cap, Filter (Includes Items 14 & 15)
17	W10166995		Harness, Motor





Ref #	Part Number	Qty.	Description
NI	72017		PAINT, TOUCH-UP (1/2oz.) (White)
NI	350938		PAINT, PRESSURIZED SPRAY (12 OZ.) (PRIMER, GRAY)
NI	350930		PAINT, PRESSURIZED SPRAY (12OZ. WHITE)
NI	799344		PAINT, BULK (1 qt.) (White (Uncut))
NI			ACCESSORY PARTS
NI	285863		Drain Extension
NI	W10135699		Affresh Odor Remover

