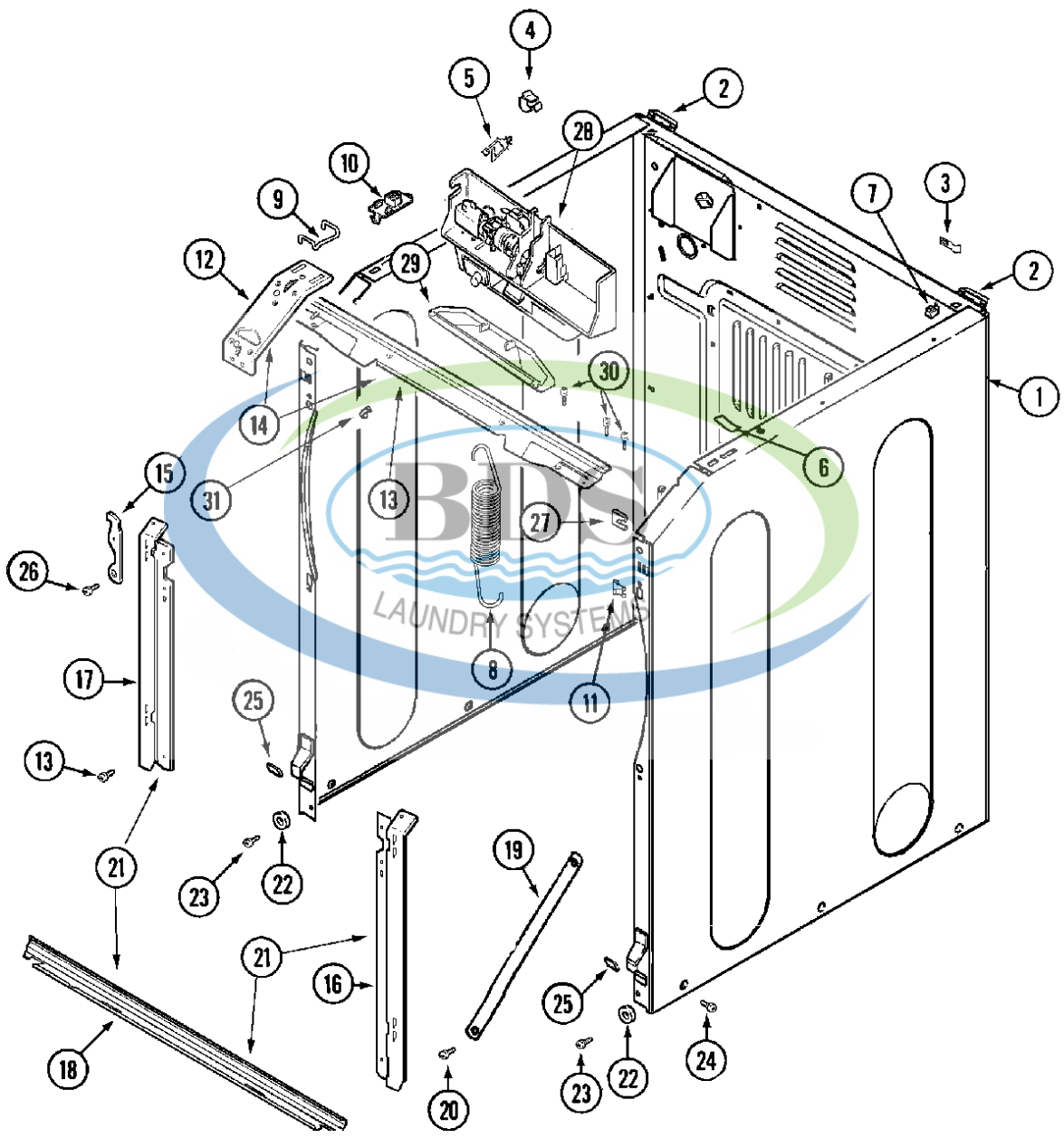
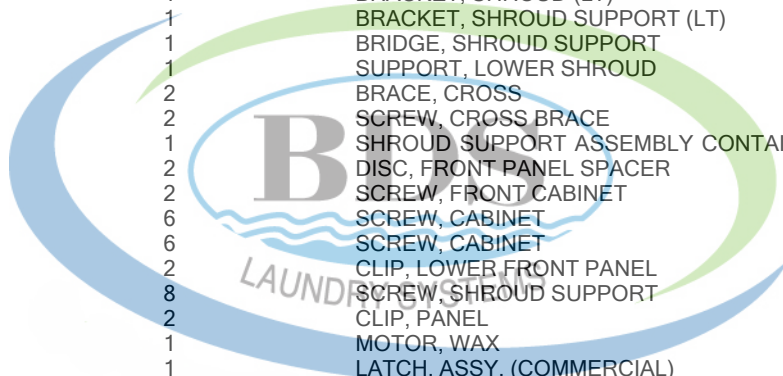


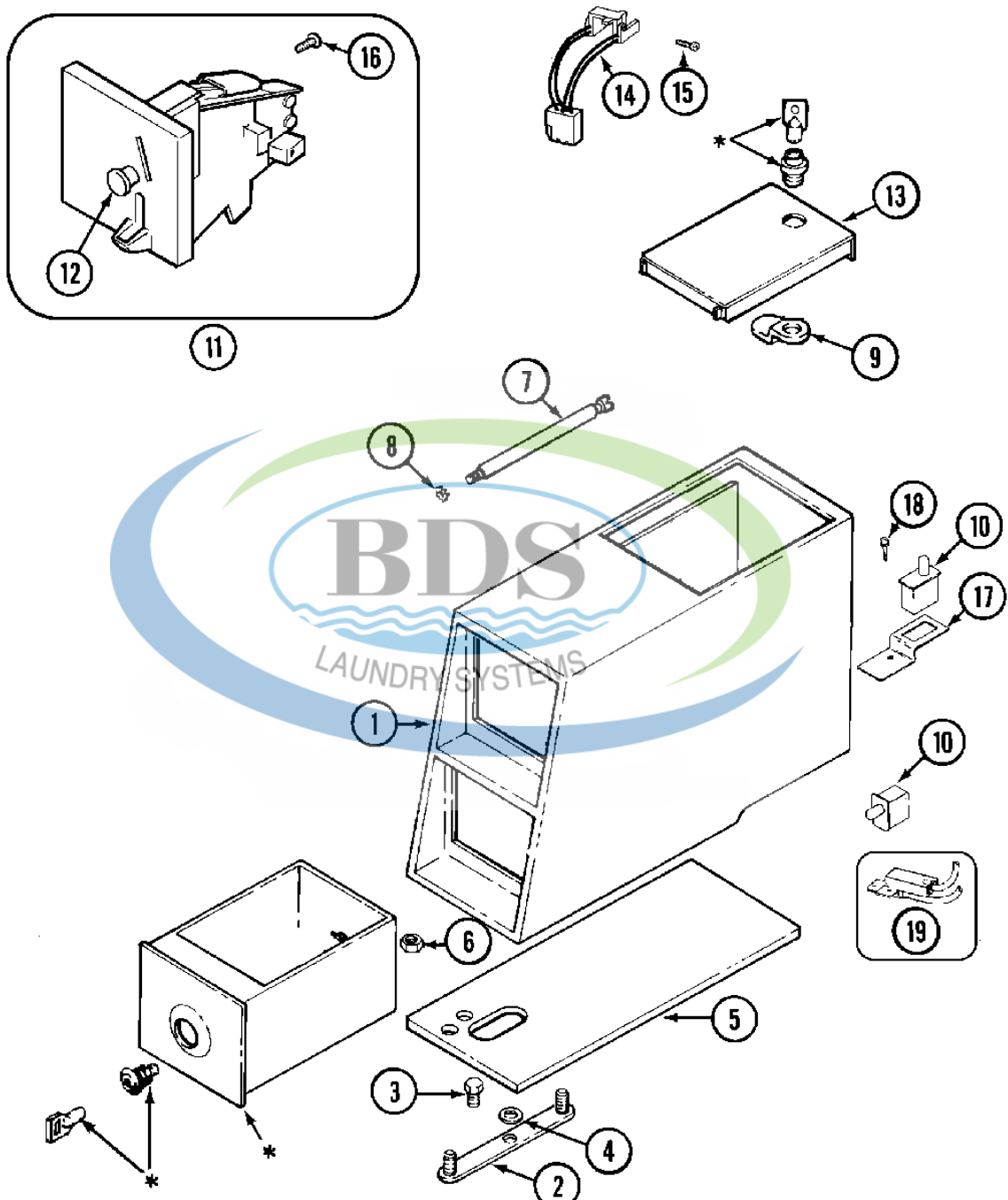
Ref #	Part Number	Qty.	Description
1	NLA	1	PANEL, CONTROL ASSY. (WHT)
2	W10131119	4	SCREW, CONTROL PANEL
3	NLA	1	WIRE, GROUND
4	W10135389	1	CONTROL SWITCH ASSEMBLY
4	W10756178	2	SCREW, CONTROL SWITCH
5	W10424308	3	PUSHBUTTON, CONTROL SWITCH
6	NLA	1	SWITCH & BACK BRKT ASY. (WHT)
7	NLA	1	SWITCH, PRESSURE
8	22002010	1	HOSE, PRESSURE SWITCH
9	NLA	1	CONSOLE (WHT)
9	NLA	1	SEAL, CABINET (EXPORT)
10	NLA	5	SCREW, CONSOLE
11	NLA	2	FASTENER, SCREW
12	NLA	1	TRANSFORMER (STEP-DOWN COMM)
12	NLA	1	FILTER, POWER LINE
12	22003048	1	BRACKET, LINE FILTER
12	489128	1	SCREW
13	NLA	2	SCREW, TRANSFORMER
14	74005230	2	NUT, TRANSFORMER
15	22004172	1	BOARD, RELAY (DRS)
15	22003703	1	BOARD, CONTROL
16	912077	4	LOCKNUT, CONTROL BOARD
17	NLA	4	STAND-OFF
18	NLA	1	HARNESS, WIRE
19	NLA	2	DEFLECTOR, WATER (W/ADHESIVE)
20	211252	1	SCREW, GROUND WIRE
21	NLA	2	SCREW, CIRCUIT BOARD
22	W10756178	2	SCREW, BACK BRACKET
23	W10131114	1	COVER, DISPLAY





Ref #	Part Number	Qty.	Description
1	NLA	1	CABINET ASSY. (WHT AS PK)
1	NLA	1	CABINET ASSY. (WHT)
2	22001995	2	SCREW, HINGE
2	22004095	2	HINGE, PLASTIC
3	NLA	2	BRACKET, AIR DOME HOSE
3	489128	2	SCREW, BRACKET
4	308605	2	CLIP, WIRE HARNESS
5	22003298	2	RETAINER, WIRE
6	NLA	1	STRAP, TOP COVER SUPPORT
7	NLA	2	FASTENER
8	22002100	1	SPRING
9	22002297	2	SUPPORT, SPRING
10	NLA	2	SPACER, TOP COVER
11	22002239	2	CLIP, LOWER FRONT PANEL
12	NLA	1	BRACE, CORNER
12	NLA	1	BRACE, CORNER (LT)
12	NLA	1	BRACE, CORNER (RT)
12	NLA	1	BRACE, CORNER (LT)
13	NLA	1	SUPPORT, DOOR LOCK
13	NLA	1	SUPPORT, DOOR LOCK
14	NLA	1	BRACE ASSEMBLY, TOP CROSS CONTAINS ITEMS 12 & 13
15	33002597	2	HOOK, SECURITY
16	NLA	1	BRACKET, SHROUD (RT)
16	NLA	1	BRACKET, SHROUD SUPPORT (RT)
17	NLA	1	BRACKET, SHROUD (LT)
17	NLA	1	BRACKET, SHROUD SUPPORT (LT)
18	NLA	1	BRIDGE, SHROUD SUPPORT
18	NLA	1	SUPPORT, LOWER SHROUD
19	NLA	2	BRACE, CROSS
20	22001995	2	SCREW, CROSS BRACE
21	NLA	1	SHROUD SUPPORT ASSEMBLY CONTAINS ITEMS 16, 17, &...
22	NLA	2	DISC, FRONT PANEL SPACER
23	22001995	2	SCREW, FRONT CABINET
24	213007	6	SCREW, CABINET
24	213007	6	SCREW, CABINET
25	22002239	2	CLIP, LOWER FRONT PANEL
26	22001995	8	SCREW, SHROUD SUPPORT
27	22002049	2	CLIP, PANEL
28	22002119	1	MOTOR, WAX
28	NLA	1	LATCH, ASSY. (COMMERCIAL)
29	NLA	1	COVER, LATCH ASSEMBLY (LWR)
30	22001995	6	SCREW, DOOR LATCH SUPPORT
31	308605	1	CLIP

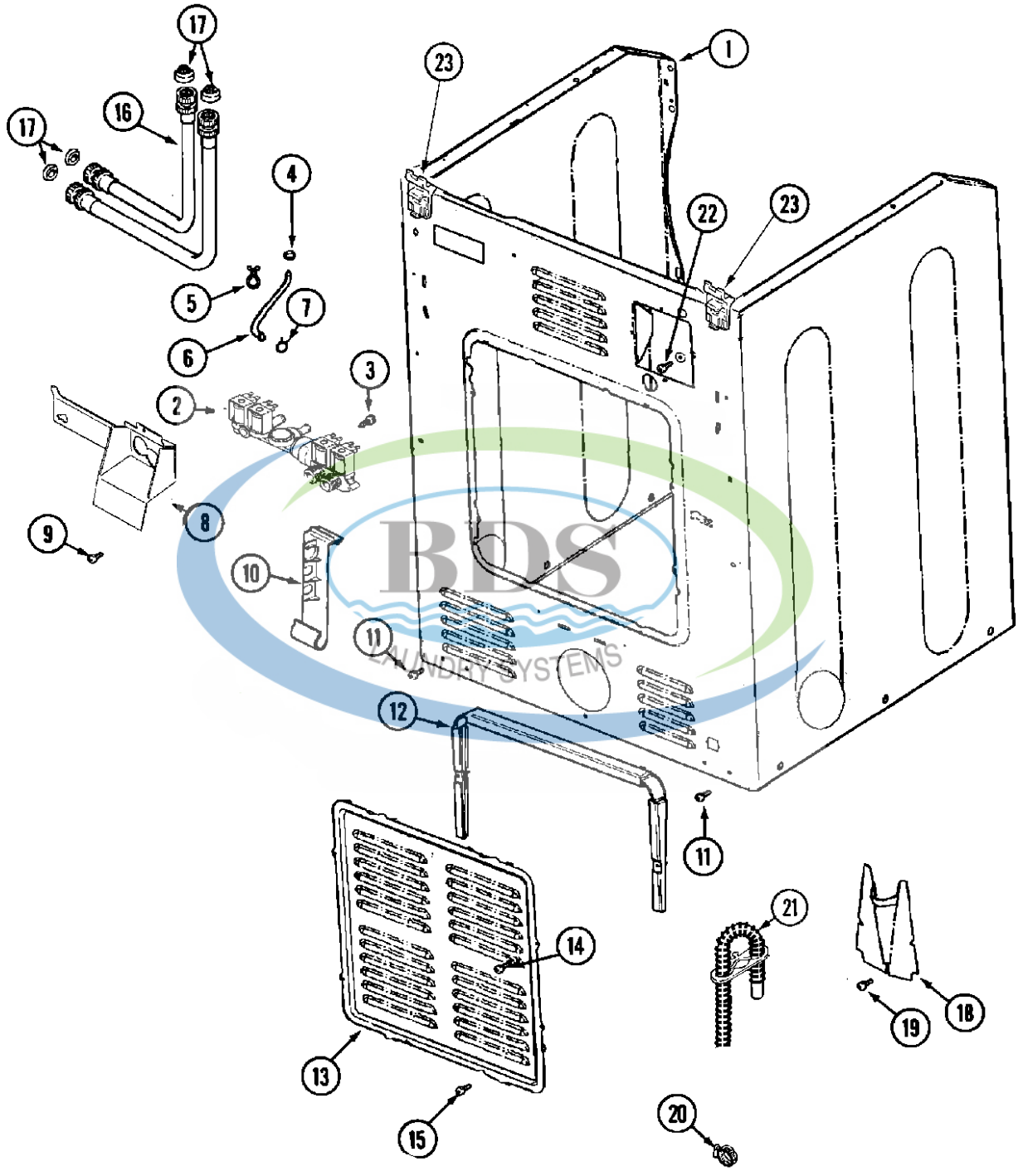




\* CONTACT YOUR COMMERCIAL LAUNDRY DISTRIBUTOR

Ref #	Part Number	Qty.	Description
1	W10529176	1	VAULT, COIN (WHT)
2	NLA	1	STRAP, MOUNTING
3	NLA	1	SCREW, MOUNTING STRAP
4	NLA	1	WASHER, MOUNTING STRAP
5	NLA	1	GASKET, CONTROL CENTER (WHT)
6	Y052740	2	NUT, CASE MOUNTING
7	213035	2	BOLT, LOCKING
8	NLA	2	LOCKWASHER, LOCKING BOLT
9	NLA	1	CAM, LOCKING
10	22002536	2	SWITCH, SENSOR
10	912012	2	SCREW, SENSOR SWITCH
11	22004112	1	DROP ASSY., COIN
11	NLA	1	SINGLE FACEPLATE
12	NLA	1	BUTTON, RETURN
13	22001910	1	DOOR, ACCESS (WHT)
14	22001965	1	SWITCH ASSY., OPTIC
15	3395530	1	SCREW, OPTIC SWITCH
16	NLA	3	SCREW, COIN DROP
17	22001404	1	BRACKET, SWITCH
18	90767	1	SCREW, SWITCH BRACKET
19	NLA	1	HARNESS, SENSOR SWITCH

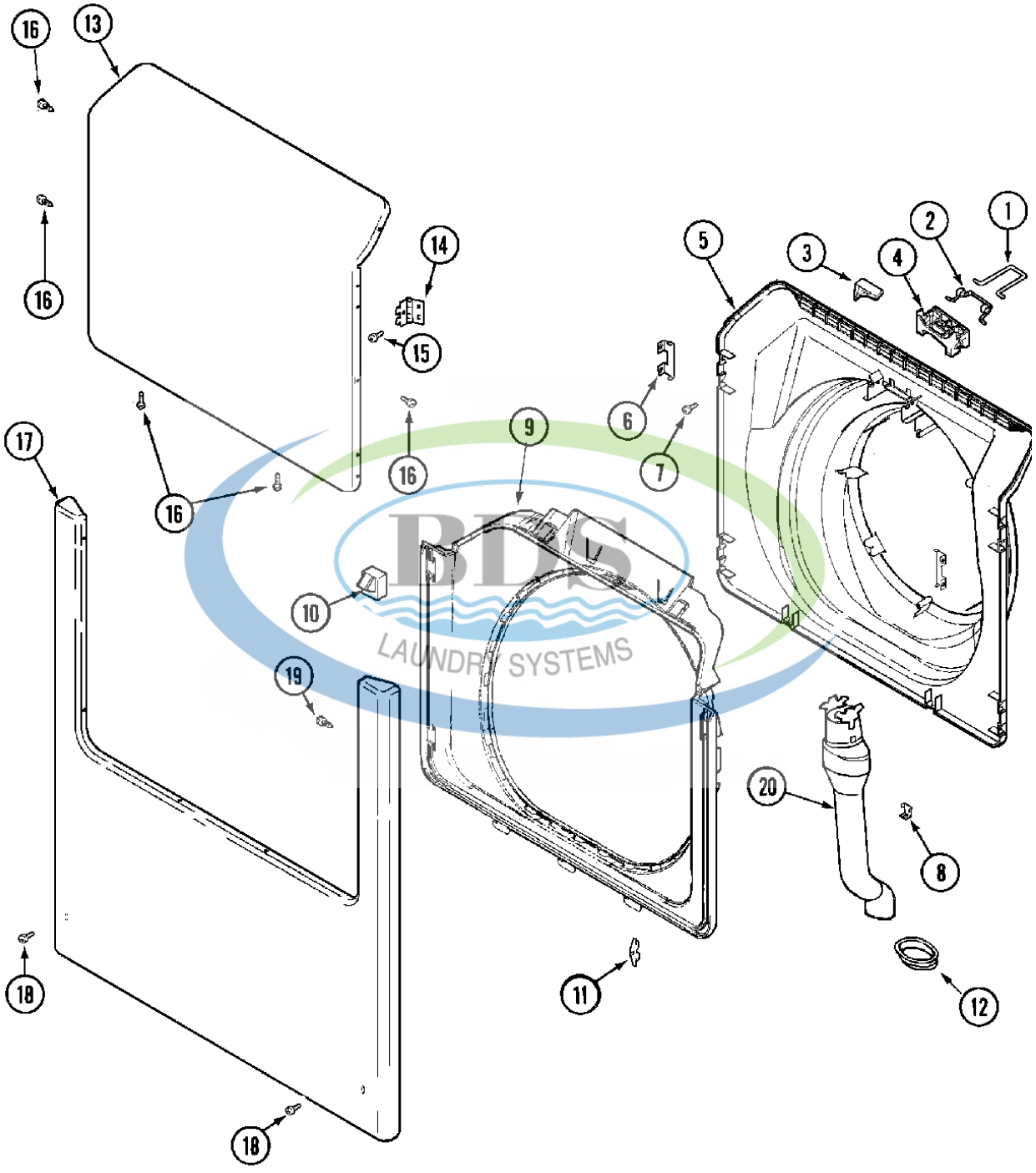




Ref #	Part Number	Qty.	Description
1	22002013	2	STOP, SHIPPING
1	NLA	1	CABINET ASSY. (WHT AS PK)
1	NLA	1	CABINET ASSY. (WHT)
2	22002903	1	VALVE, WATER
3	Y313561	2	SCREW, WATER VALVE
4	616099	1	CLAMP, STEPLESS
5	74007164	2	WIRE TIE, TWIST LOCK
6	22002083	1	HOSE, INJECTOR
7	596669	1	CLAMP, INJECTOR HOSE
8	NLA	1	BRACKET, WATER VALVE
9	NLA	1	SCREW, WATER VALVE BRACKET
10	NLA	1	RACK, HOSE
11	22001995	2	SCREW, CABINET
12	NLA	1	SPACER, ACCESS PANEL
13	NLA	1	PANEL, ACCESS
13	W10133264	1	LOCK, ACCESS DOOR
14	67006908	2	SCREW, ACCESS PANEL SPACER
15	NLA	2	SCREW, ACCESS PANEL
16		1	HOSE, INLET (COLD)
16		1	HOSE, INLET (HOT)
17	12001413	1	STRAINER & WASHER KIT
18	NLA	1	COVER, DRAIN HOSE
19	22001995	1	SCREW, DRAIN HOSE COVER
20	22001984	2	CLAMP, DRAIN HOSE
21	12001807	1	DRAIN HOSE KIT (CORRUGATED) (INCLUDES THE FOLLOWI...
21	22002892	1	RETAINER, DRAIN HOSE
21	8539404	1	TIE, CABLE
21	22002932	1	CLIP, DRAIN HOSE
21	12001807	1	HOSE, DRAIN (CORR)(80 1/2")
22	NLA	1	SCREW, GROUND LUG
23	22001995	2	SCREW
23	22004095	2	HINGE, PLASTIC

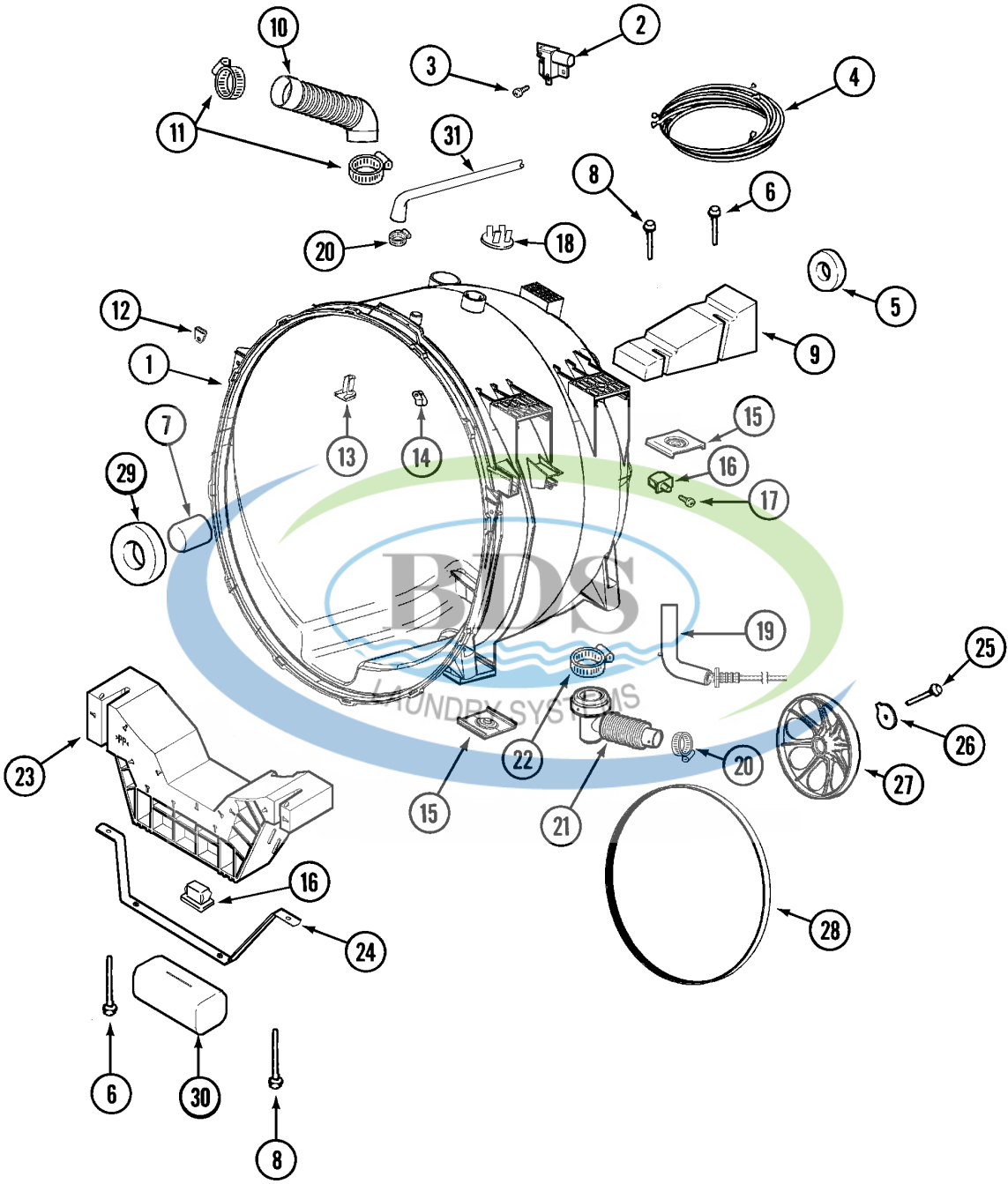




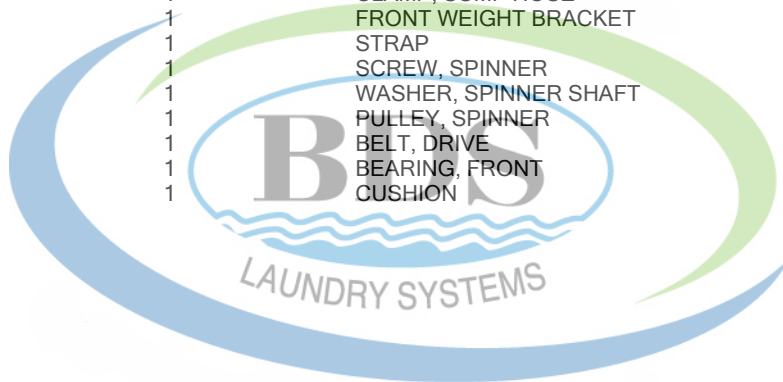


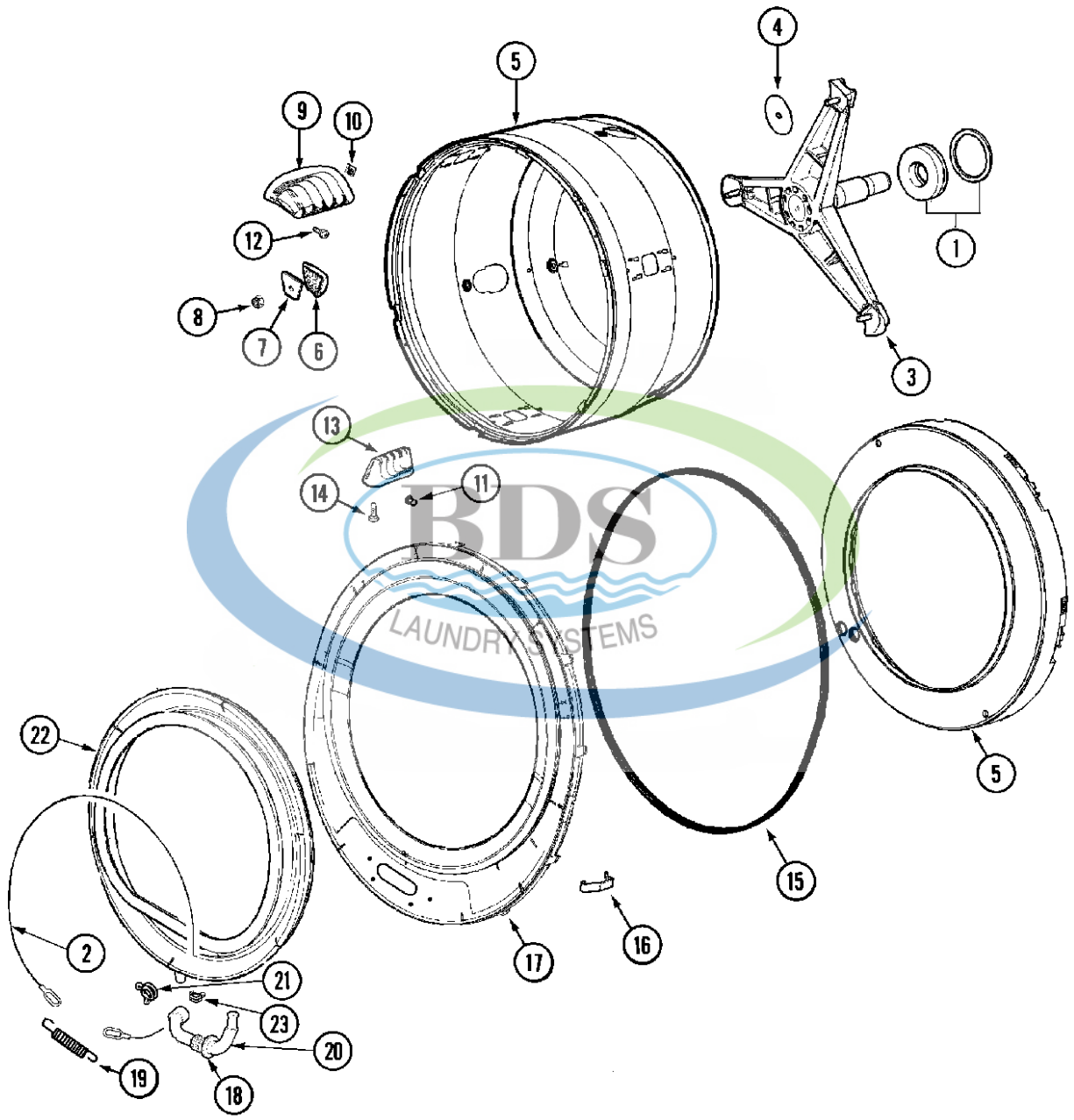
Ref #	Part Number	Qty.	Description
1	22003222	1	HOOP, LOCK
2	22002003	1	SPRING, LATCH
3	22003083	1	DOOR, INNER/DOOR STRIKE (WHT) (MUST ORDER ASSEMB...
3	22003800	1	INNER DOOR/VENTED (ASPK-WHT)
4	22002168	1	SUPPORT, LOCK HOOP
5	22003083	1	LINER, DOOR ASSY W/VENT (WHT)
6	22002038	4	CLIP, DOOR (DOUBLE)
7	NLA	1	SCREW, STRIKE
8	22002039	2	CLIP, DOOR (SINGLE)
9	22002234	1	SHROUD, PLASTIC (WHT)
9	22002333	1	LABEL, OPEN DOOR (WASHER)
10	22002046	1	SWITCH, SECONDARY DOOR (WHT)
11	12001994	2	COVER, HINGE (WHT)
11	33001764	2	COVER, HINGE HOLE (WHT)
11	33001787	2	SCREW
12	22003075	1	GROMMET, VENT TUBE
13	22001979	1	DOOR, OUTER (WHT-W/DAMPER)
13	22002333	1	LABEL, OPEN DOOR (WASHER)
14	NLA	4	SUPPORT, HINGE
14	22002798	2	HINGE, DOOR
14	NLA	-	NOT REQUIRED (HINGE SUPPORT)
15	98006631	4	SCREW, HINGE
15	22002243	4	SCREW, FRONT PANEL & HINGE
15	NLA	1	CLIP, GROUNDING
16	22002063	6	SCREW No.8-18AB WAFER HD
17	NLA	1	PANEL, FRONT (WHT)
18	22001496	2	SCREW, FRONT PANEL
19	22002243	4	SCREW, PANEL
19	22002244	1	CLIP, GROUNDING
20	22003850	1	VENT TUBE ASSY.





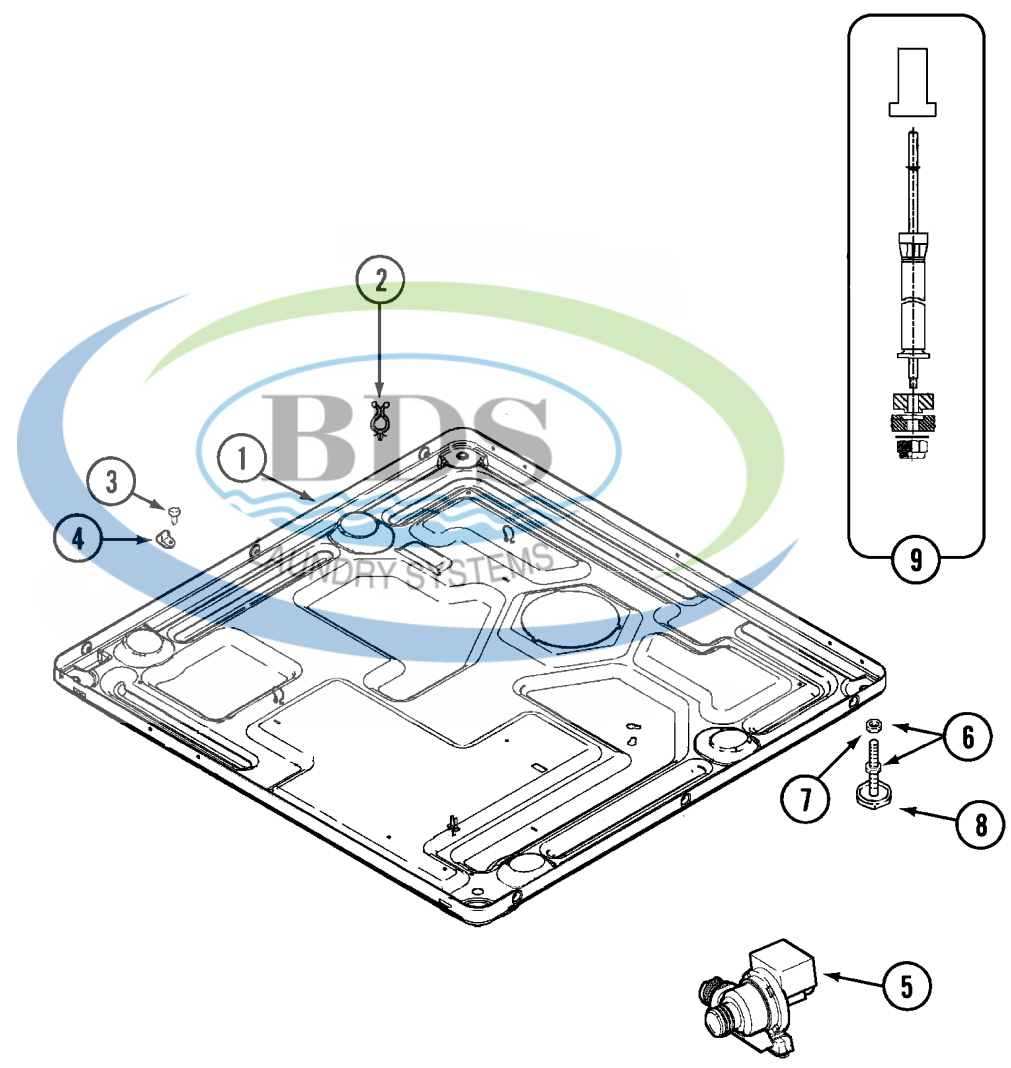
Ref #	Part Number	Qty.	Description
1	22004465	1	TUB ASSY. (OUTER)
2	22003302	1	SWITCH, INERTIAL - UNBALANCE
3	33002917	2	SCREW, INERTIAL SWITCH
4	NLA	1	WIRE HARNESS, DISPLACEMENT
5	22003441	1	BEARING, REAR
6	22003615	1	BOLT
7	22002935	1	SPACER, BEARING
8	22003616	1	BOLT
9	NLA	1	WEIGHT, COUNTER BALANCE
10	22002083	1	HOSE, INJECTOR
11	616099	2	CLAMP, INJECTOR HOSE
12	NLA	2	CLIP, U
13	22002959	1	DEFLECTOR, WATER
14	22002006	1	CLIP, WIRE HARNESS & OUTER TUB
14	910187	1	SCREW
15	NLA	4	NUT, COUNTER BALANCE
16	22002044	2	SWITCH, TUB DISPLACEMENT
16	NLA	1	COVER, UNBALANCE SWITCH
16	NLA	1	BRACKET, UNBALANCE SWITCH
17	910187	2	SCREW, DISPLACEMENT SWITCH
18	NLA	1	CLIP, HOSE (SADDLE HORN)
19	22002010	1	HOSE, AIR DOME
20	596669	1	HOSE CLAMP (1-1/16 INCH)
21	22003262	1	HOSE, TUB OUTLET
22	696392	1	CLAMP, SUMP HOSE
23	NLA	1	FRONT WEIGHT BRACKET
24	NLA	1	STRAP
25	22003937	1	SCREW, SPINNER
26	22003936	1	WASHER, SPINNER SHAFT
27	22002315	1	PULLEY, SPINNER
28	12001788	1	BELT, DRIVE
29	22002934	1	BEARING, FRONT
30	NLA	1	CUSHION





Ref #	Part Number	Qty.	Description
1	12002022	1	LIP SEAL SVC ASSY.
2	22002327	1	BOOT CABLE CLAMP
3	22002123	1	TUBE, MOLYKOTE
3	W10181639	1	SUPPORT ASSY., SPINNER
4	22002023	3	WASHER, PLASTIC
5	6-2717080	1	SPINNER ASSY. (W/BALANCE RING)
6	22002482	3	WASHER, PROFILE
7	22002020	3	WASHER, SPINNER SUPPORT
8	2207454	3	NUT, SPINNER ATTACHMENT
9	22001985	3	BAFFLE, DRIP (REAR)
10	22002009	3	GROMMET, BAFFLE (REAR)
11	22001999	3	GROMMET, BAFFLE (FRT)
12	22003556	6	SCREW, BAFFLE (REAR)
13	22001986	3	BAFFLE, DRIP (FRONT)
14	22002059	6	SCREW, BAFFLE (FRONT)
15	22002077	1	SEAL, TUB COVER
16	22002050	14	CLIP, TUB TO COVER
17	22003074	1	GUARD, HOSE
17	22003212	1	COVER, TUB (W/SEAL) (ASP)--W
18	22003074	1	GUARD, HOSE
19	22002099	1	SPRING, TUB
20	22004477	1	HOSE, DOOR BOOT DRAIN
21	22003072	1	CLAMP, HOSE DOUBLE WIRE
22	22003893	1	KIT, DOOR BOOT W/DRAIN
23	596669	1	CLAMP, HOSE DOUBLE WIRE

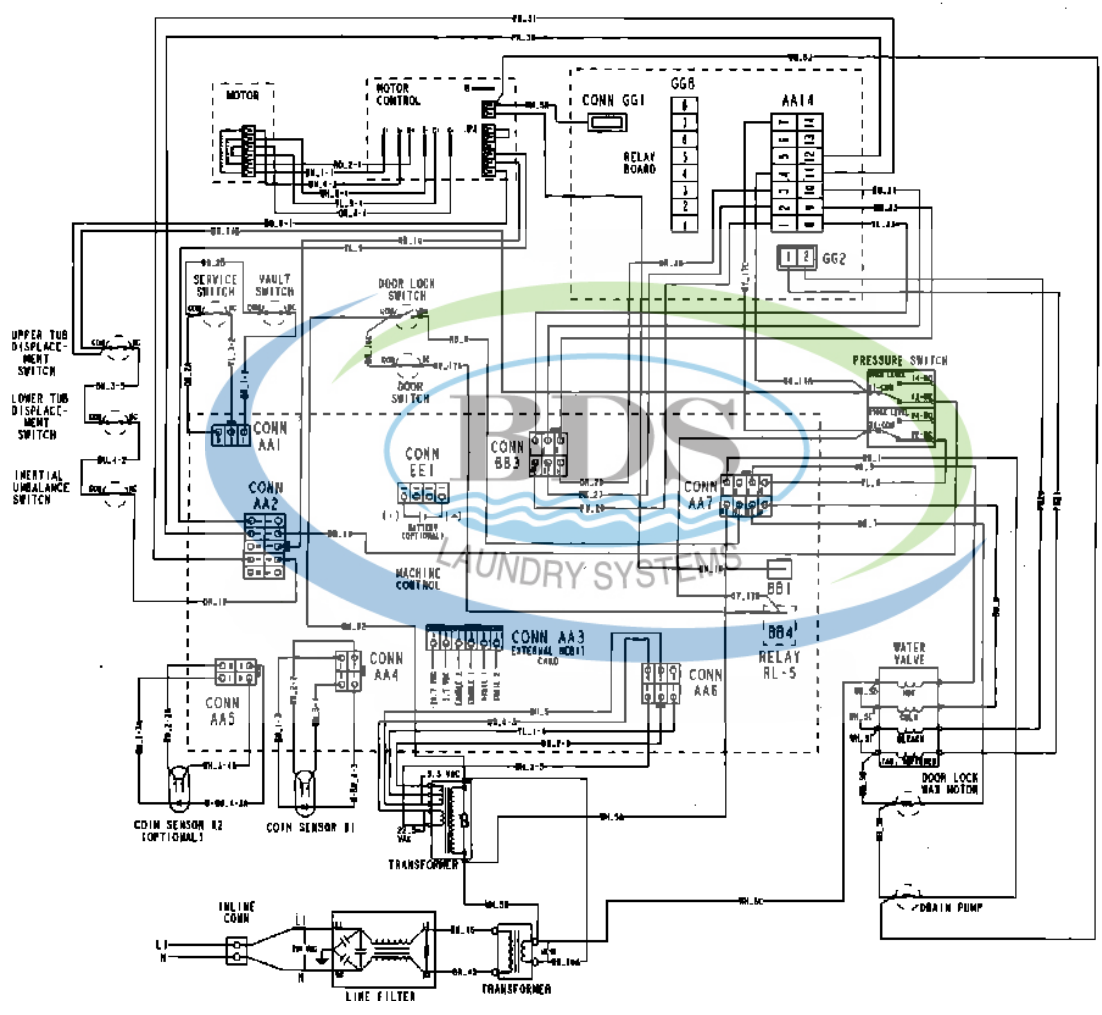




Ref #	Part Number	Qty.	Description
1	22003435	1	BASE
1		1	BASE, ASSEMBLY
1		1	BASE WELD ASSEMBLY
2	22003298	5	RETAINER, WIRE
3	90767	1	SCREW, WIRE HARNESS CLIP
4	308605	1	CLIP, WIRE HARNESS
5	22003635	1	PUMP
6	8563585	4	ADJUSTABLE LEG W/FOOT & NUT
7	Y052740	4	NUT, LEG
8	210684	4	FOOT, RUBBER
9	22001988	2	STRUT ASSY-REAR
10	12002039	1	CONTROL ASSY., MOTOR
10		1	MOTOR CONTROL MOUNTING BRACKET
11		1	WIRE HARNESS, MOTOR CONTROL
12	212276	2	SCREW, MOTOR CONTROL BRACKET
13	210720	1	RIVET, WIRE HARNESS CLIP
14	308605	1	CLIP, WIRE HARNESS
15		1	TRANSFORMER
15		1	SHIELD, TRANSFORMER
15	22003778	1	TRANSFORMER
16		1	CLIP, AIRDOME HOSE
16	33002223	1	RESTRAINER, TUBE

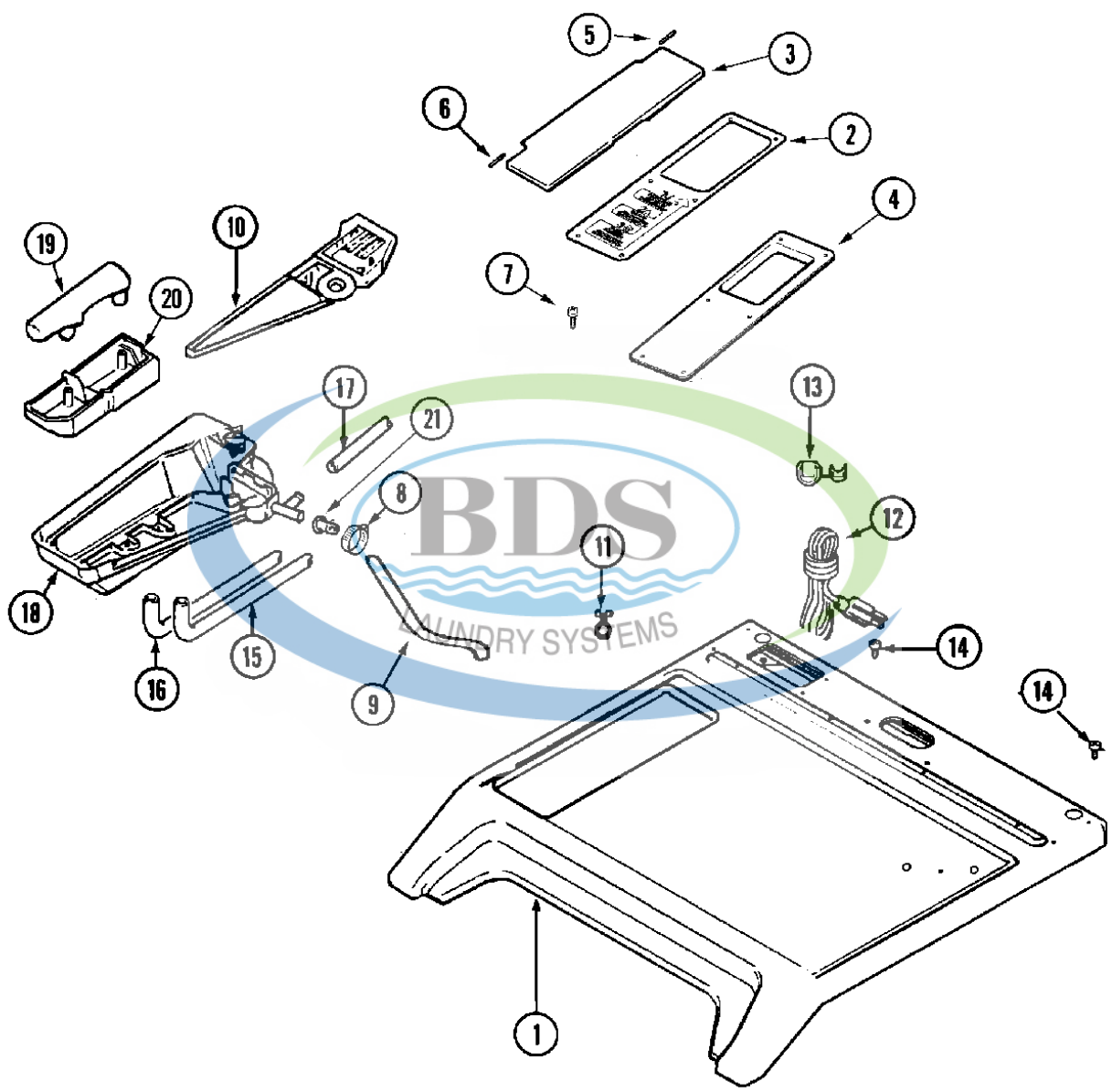






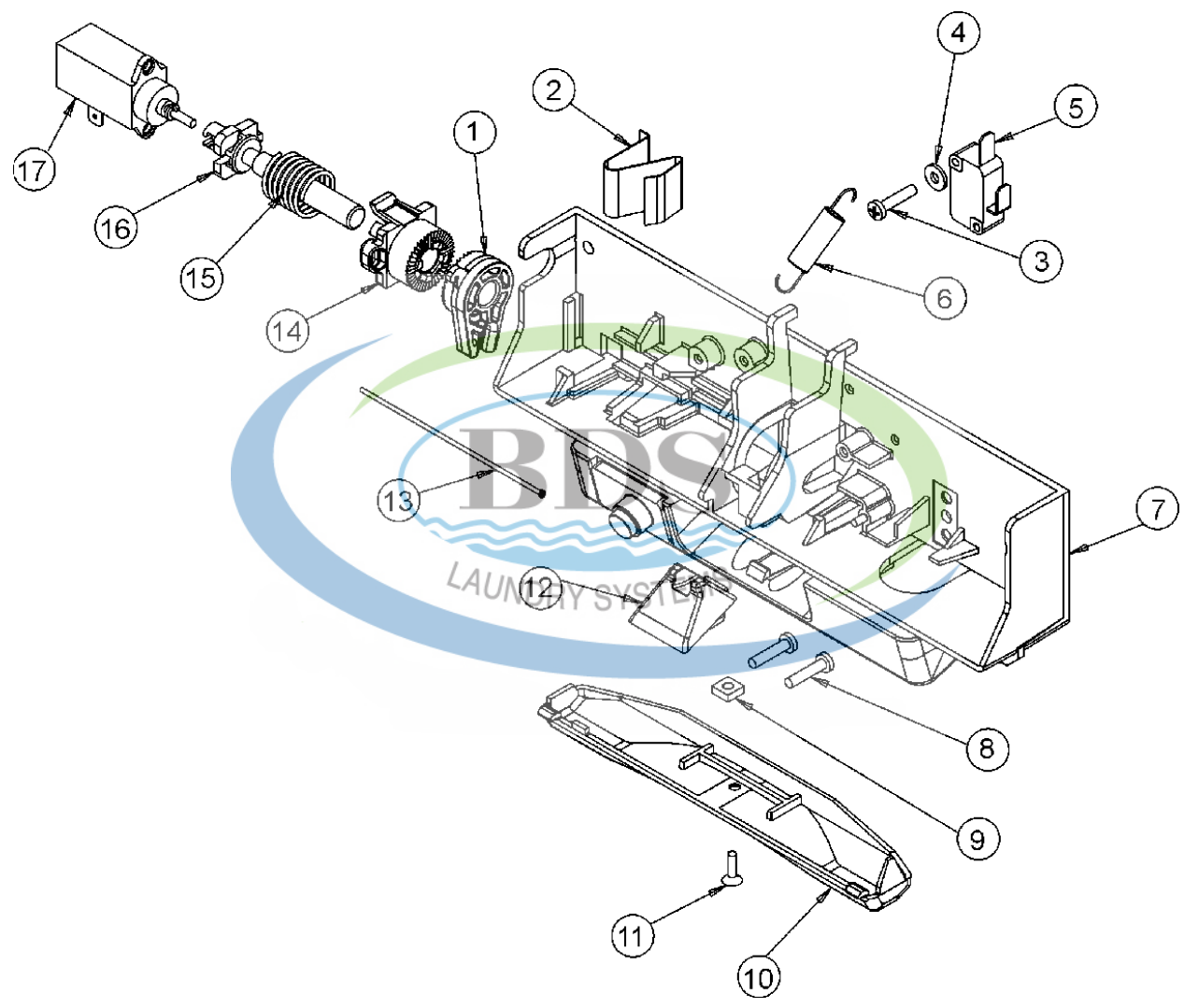
Ref #	Part Number	Qty.	Description
1	NLA	1	WIRING INFORMATION





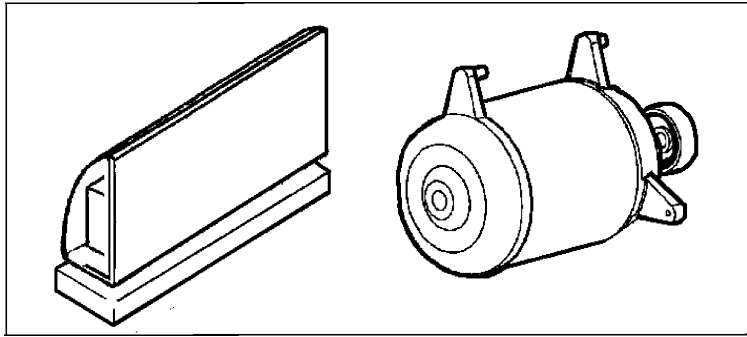
Ref #	Part Number	Qty.	Description
1		1	COVER, TOP (WHT-AS PK)
1		1	STRAP, TOP COVER SUPPORT
1	NLA	1	COVER, TOP (WHT)
2		1	COVER, COMM. DISPENSER (WHT)
2		-	NOT REQUIRED PART OR SEE NOTE
3	22002941	1	LID, DISPENSER COMMERCIAL
4	22003665	1	BEZEL, DISPENSER
5	6-912678	1	PIN, HINGE (LONG)
6	Y912679	1	PIN, HINGE (SHORT)
7		4	PALNUT, BEZEL
7	400021-1	4	SCREW, BEZEL
8	285655	1	CLAMP, SHOWER HOSE TO DISP.
9		1	HOSE, SHOWER
10		1	TOP, DISPENSER (FLUME)
11	212276	1	SCREW, WIRE TIE
11	74007164	2	WIRE TIE, TWIST LOCK
12	210186	1	SCREW, POWER CORD
12		-	CORD, POWER (EXPORT)
12		1	ADAPTER (AUSTRALIA) 10 AMP
12		1	ADAPTER (GEN EXPORT) 10 AMP
12		1	ADAPTER (BRITIAN) 10 AMP
12		-	CORD, POWER (EXPORT-BRITISH)
12		1	CORD, POWER (EXPORT-AUST)
12		1	FILTER, EMI
13		1	GROMMET, CORD EXPORT
14	210186	1	SCREW, GROUND WIRE TO BASE--NA
14		1	WIRE, GROUND
15	498503	2	CLAMP 15/16, HOSE TO VALVE
15		1	HOSE, BLEACH
16	489503	2	CLAMP 15/16, HOSE TO VALVE
16		1	HOSE, FABRIC SOFTENER----NA
17	489503	2	CLAM 15/16, HOSE TO VALVE
17		1	HOSE, DETERGENT
18	400021-1	2	SCREW, DISPENSER
18	12001558	1	DISPENSER BOTTOM, COMMERCIAL
19	22002266	1	CAP, SIPHON
20	22002265	1	CUP, SIPHON
21	22001900	1	PREVENTER, BACK FLOW
21		1	EXTENSION, NOZZLE
22	22003462	1	DISPENSER ASSY. (COMPLETE)



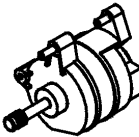

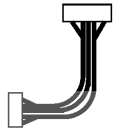
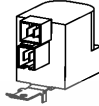
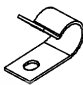





Ref #	Part Number	Qty.	Description
1	22003716	1	ROTATING GEAR, LATCH
2	22003717	1	SPRING, LATCH
3		1	SCREW, CHECK SWITCH
4	22002165	1	WASHER, DOOR LOCK SWITCH
5	22002162	1	SWITCH, DOOR LOCK SPIN ENABLE
6		1	SPRING, GEAR RETURN
7	22003722	1	SWITCH HOLDER ASSY, LATCH
8		2	SCREW, LATCH
9	22003720	1	NUT, LATCH
10		1	COVER, LATCH ASSEMBLY (LWR)
11	241877	1	SCREW
12	22003055	1	RAMP, DOOR HOOP
13		1	CABLE, DOOR
14	22003715	1	SLIDING GEAR, LATCH
15	22003721	1	SPRING, AXLE / LATCH
16	22003718	1	AXLE, LATCH
17	22002119	1	MOTOR, WAX

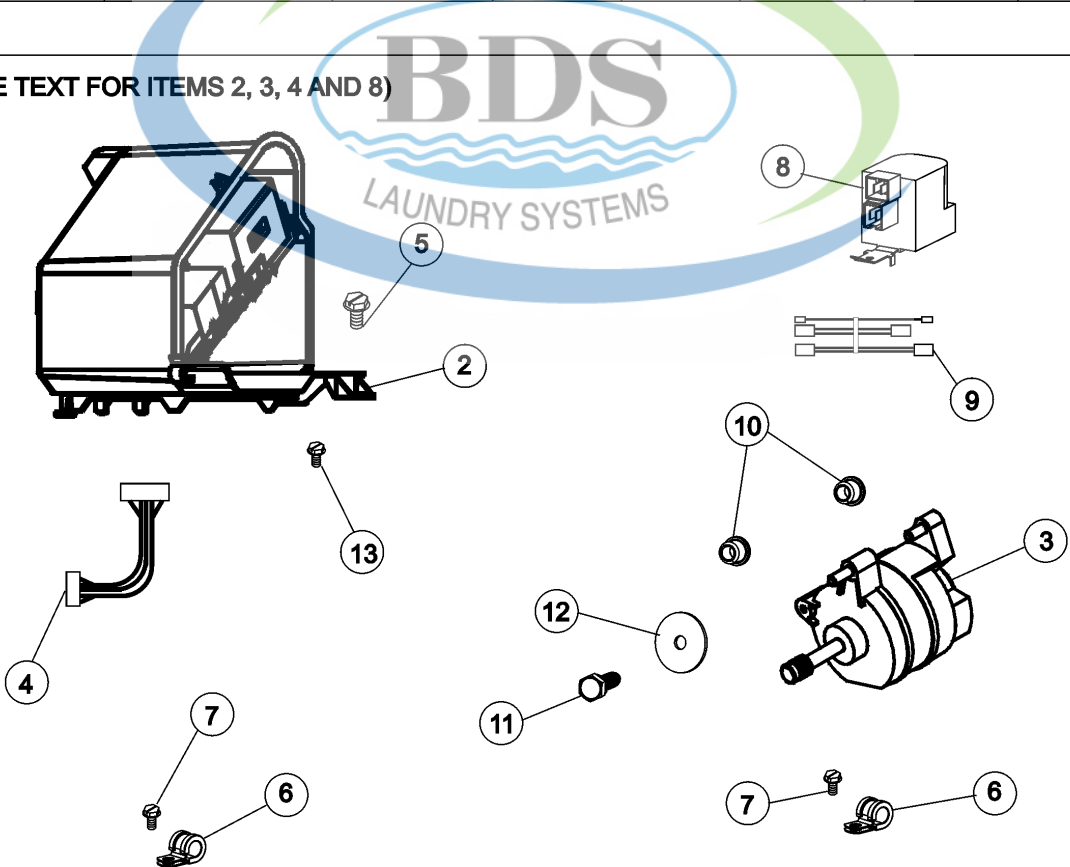




ITEM 1  
KIT CONTAINS:

 <b>120002040</b> MOTOR W/ISOLATORS	 <b>22004046</b> MOTOR CONTROL BOARD	 <b>22004047</b> MOTOR HARNESS	 <b>22003854</b> AC LINE FILTER	 <b>22004102</b> "P" CLIPS (2)	 <b>22002300</b> SCREW "P" CLIPS TO MOTOR	 <b>22004101</b> LOWER JUMPER WIRE HARNESS	 <b>22004103</b> SCREW GROUND
---	--	--	---	--	--	---	---

(SEE TEXT FOR ITEMS 2, 3, 4 AND 8)



Ref #	Part Number	Qty.	Description
1	12002039	1	NEPTUNE MOTOR CONVERSION KIT
2	22004046	1	CONTROL ASSY., MOTOR
3	22003856	1	MOTOR, VARIABLE SPEED
4	22004212	1	HARNESS, MOTOR/MOTOR CONTROL
5	1163839	2	SCREW (No.10-3/8``)
6	22004102	2	P CLIPS
7	970848	2	SCREW
8	22003858	1	EMI SUPPRESSION FILTER, 12A
9	22004101	1	REPAIR JUMPER HARNESS
10	22003329	2	ISOLATOR, MOTOR
11	22003686	1	BOLT, MOTOR
12		1	WASHER, STRUT
13		1	SCREW

